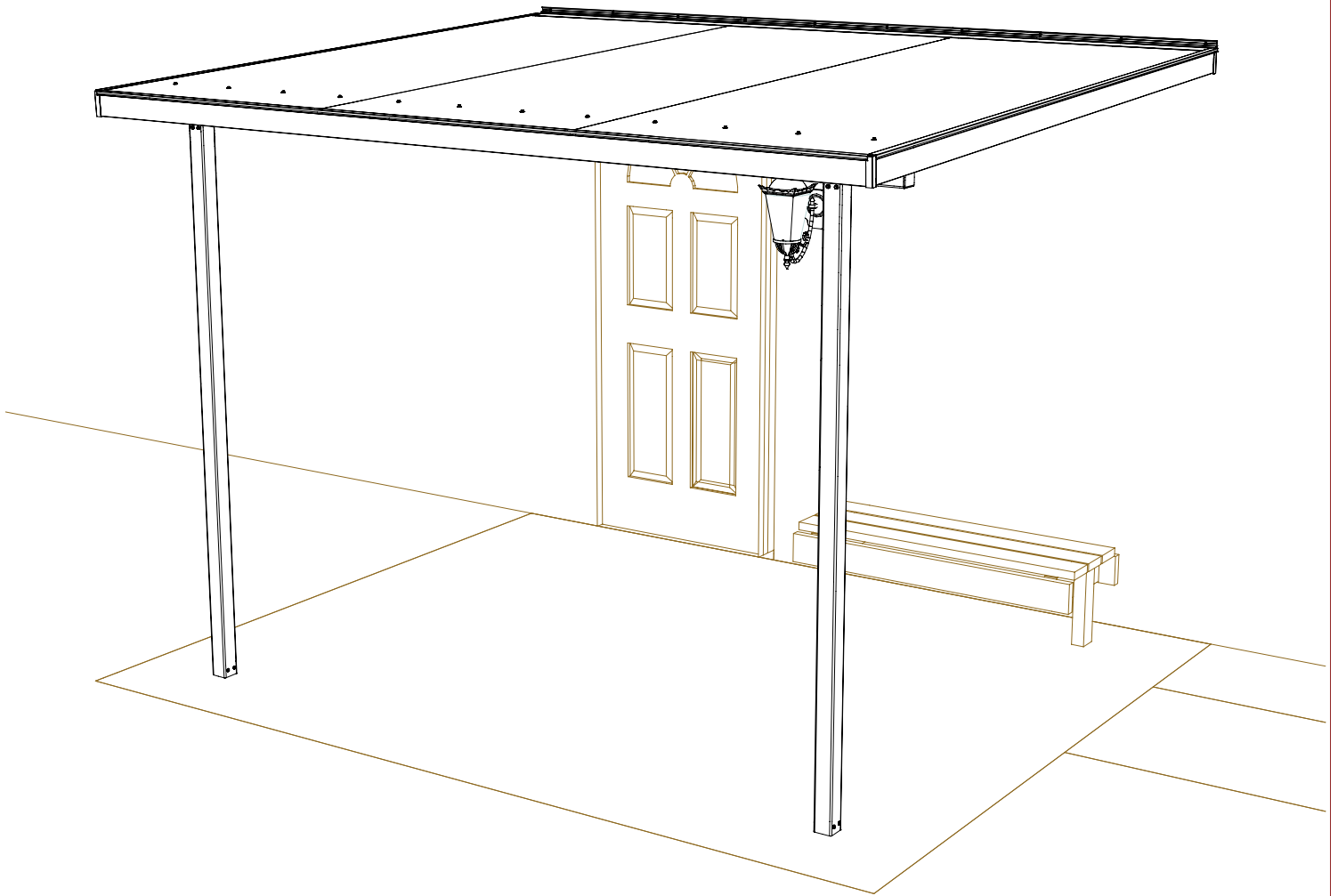




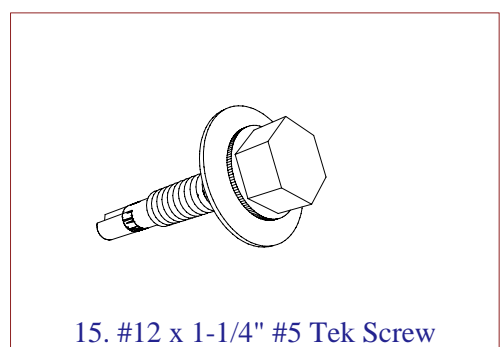
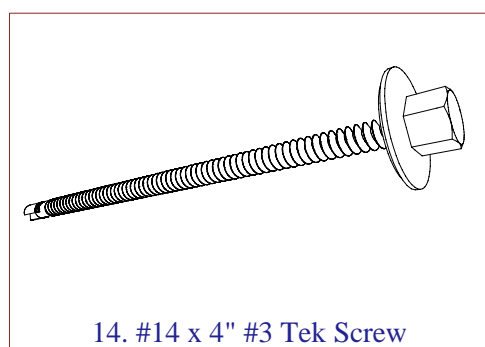
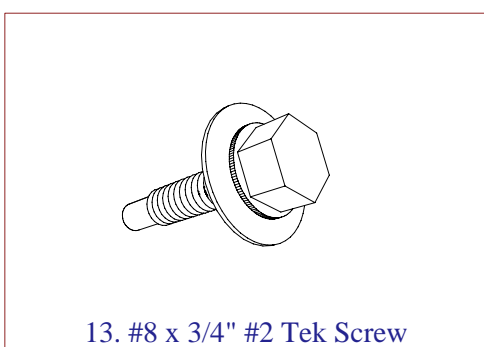
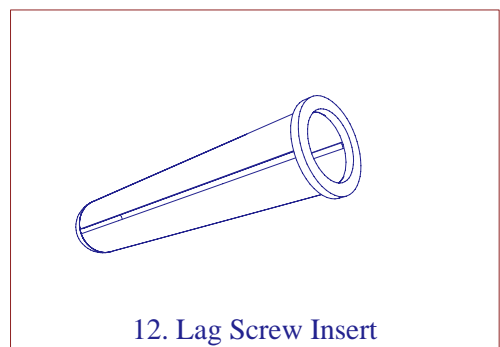
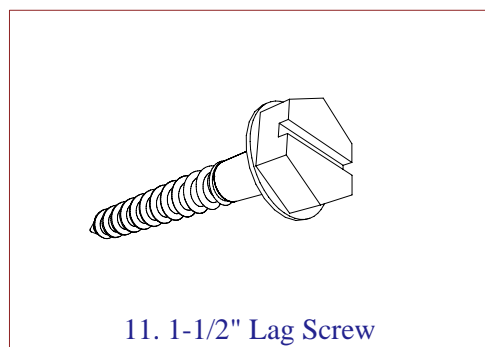
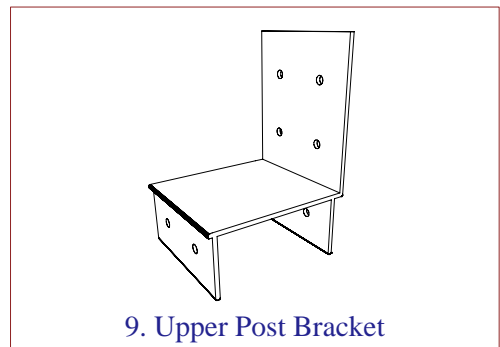
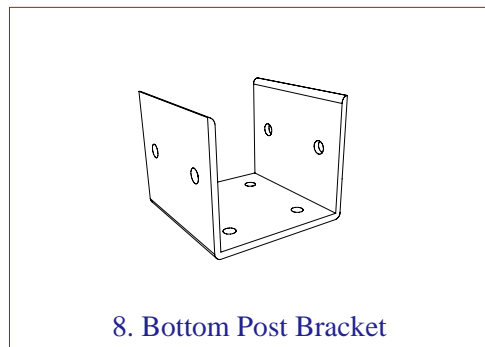
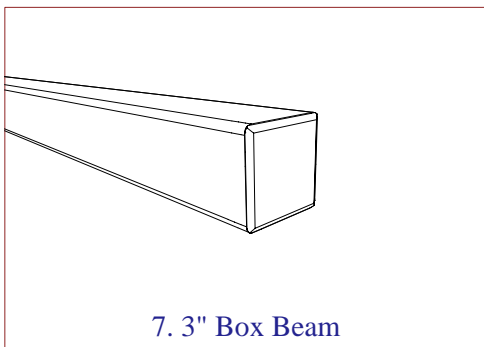
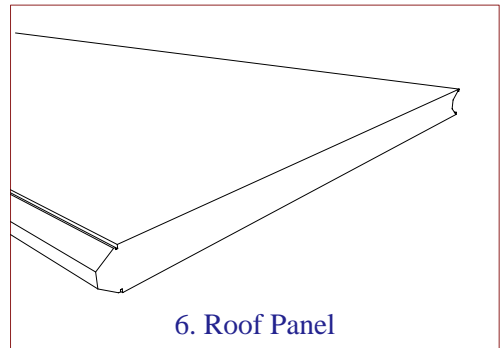
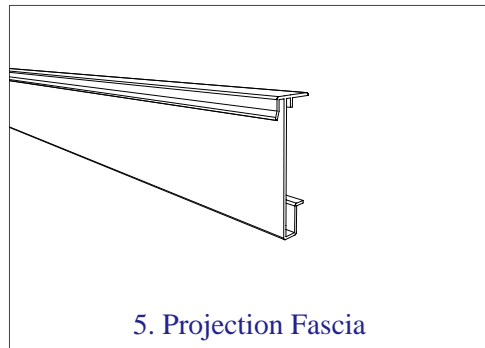
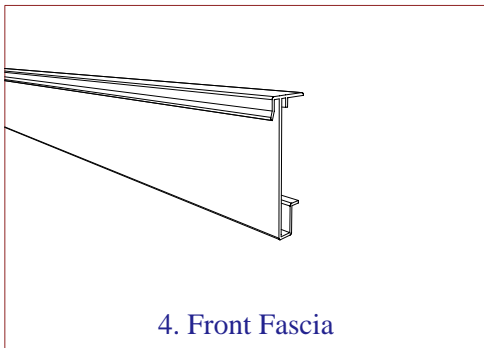
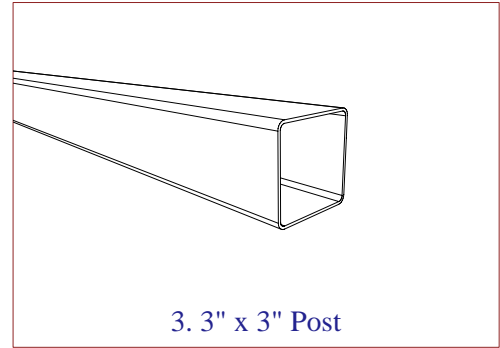
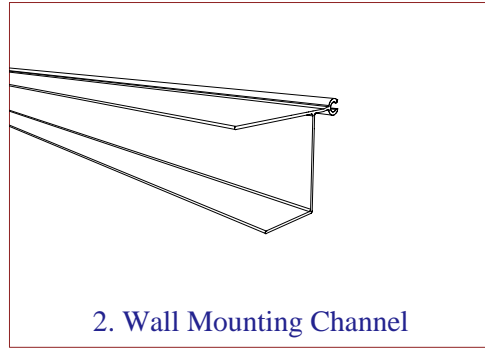
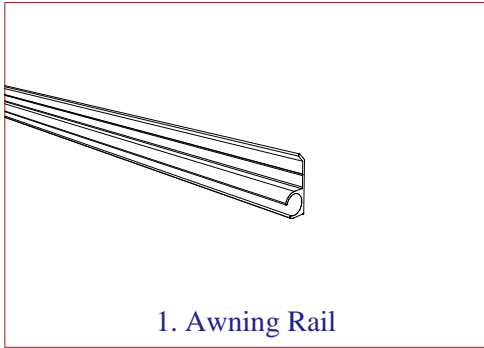
YUKON PATIO COVER  
w/ 3" BOX BEAM HEADER  
ASSEMBLY INSTRUCTIONS



**Recommended Tools:** Level, Pliers, 3/8" Electric Drill, Carpenters Square, Tape Measure, Metal Saw  
Silicone Caulking, Screw Drivers (Regular & Phillips)

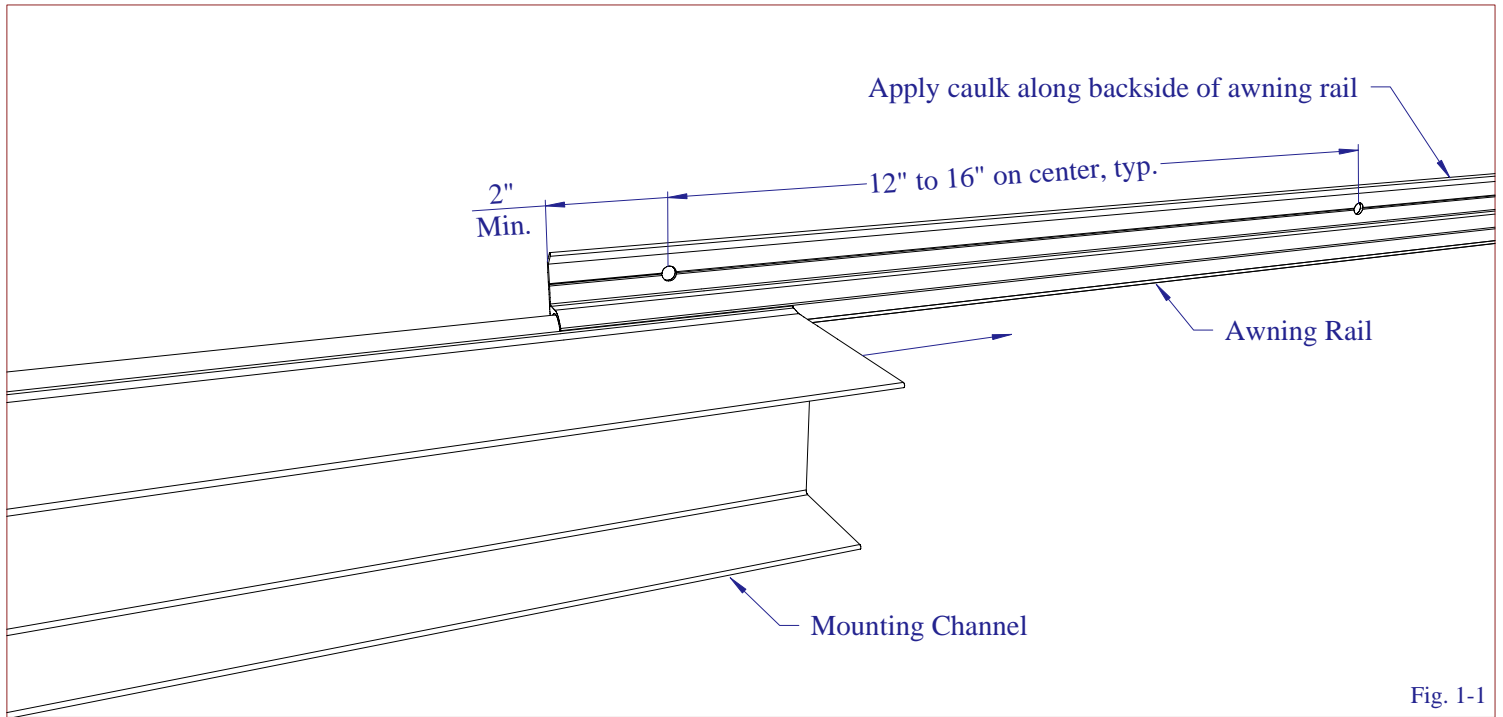
- Before You Begin:**
1. Please read all instructions carefully. Check the Bill of Materials for any missing parts, and gather all necessary tools. The paint finish can be scratched, so place materials on tarp or cardboard to prevent scratching.
  2. Note that this patio cover kit is not designed to carry additional loads such as hanging plants, swings, people, trellis's, or other objects.

## YUKON PATIO COVER PARTS LIST

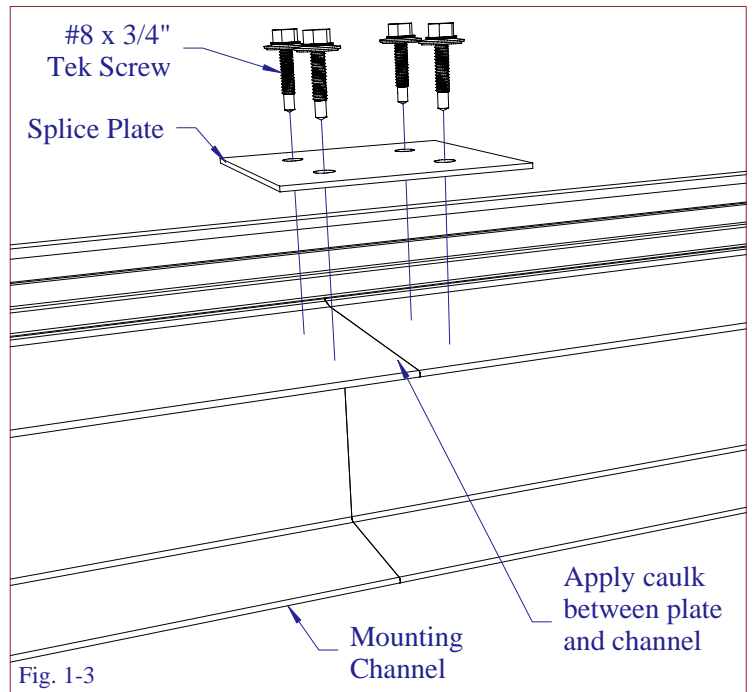
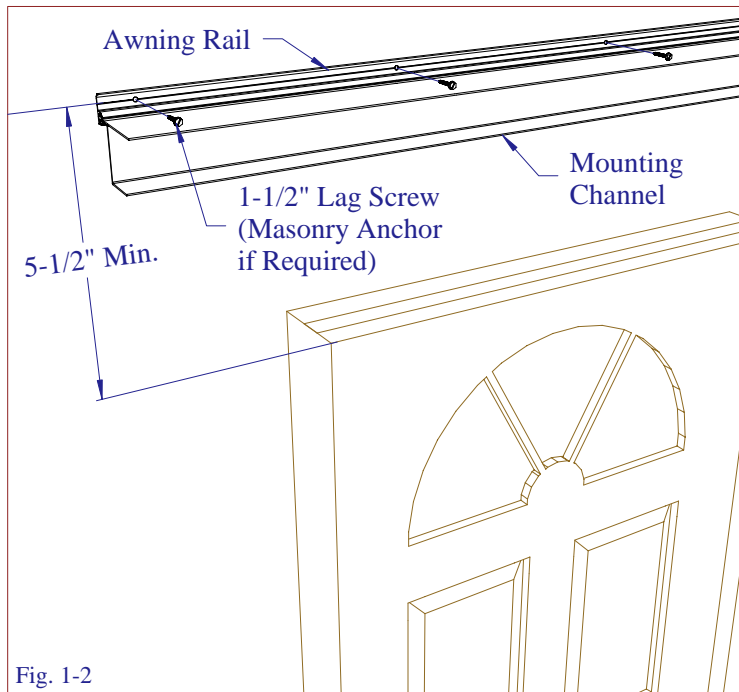


## STEP 1.

- Drill 1/4" dia. holes beginning at least 2 inches from either end at 12" to 16" on center in awning rail as shown (see Fig. 1-1).
  - Slide awning rail onto wall channel and apply a generous bead of caulk to backside of awning rail (see Fig. 1-1).
- (NOTE: Center to center dimension of 1/4" holes is determined by location of wall studs or other structural member that the cover must be anchored to. Do not attach cover to sheeting, siding, flashing or any other non-structural surface.)

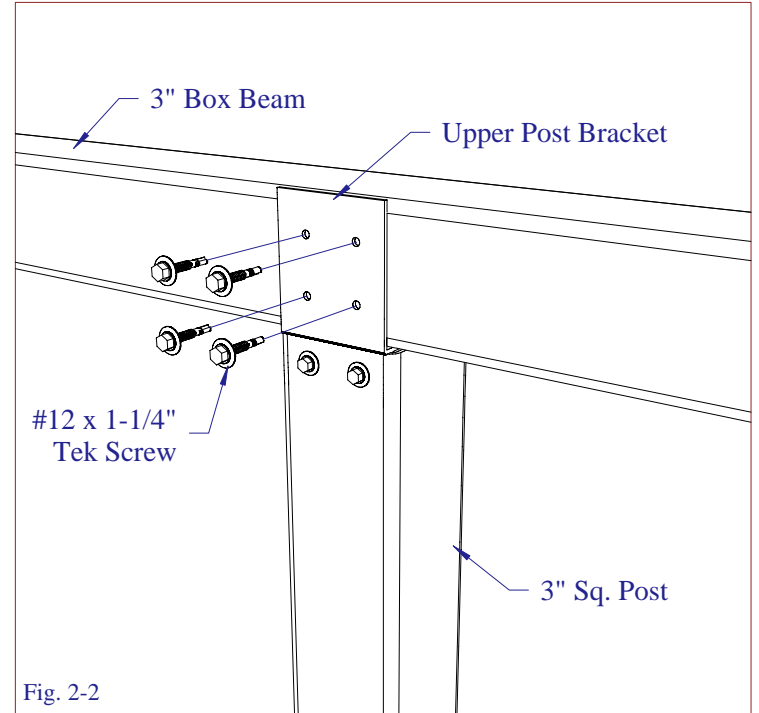
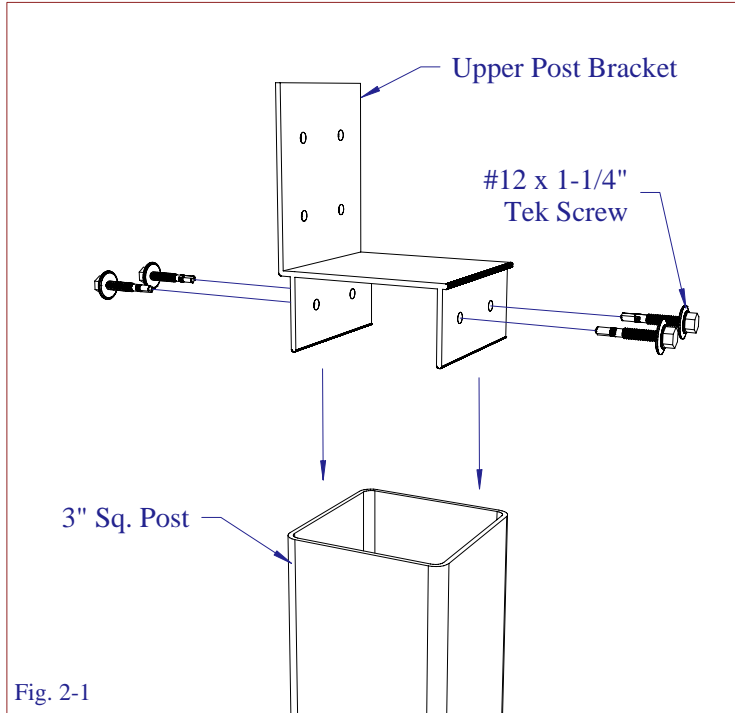


- Mark a level line at the desired mounting height on the existing structure. Mounting height must be a minimum of 5-1/2" above any out-swinging door.
  - Align holes in awning rail with level line and attach awning rail / mounting channel assembly to existing structure with 1-1/2" lag screws (see Fig. 1-2).
  - If mounting channel is in two sections, a splice plate is required (see Fig. 1-3). Be sure to caulk wall mounting channel at splice and remove excess after attaching.
  - After mounting channel is installed, apply caulk to the hinge to prevent water leaks.
- NOTE: If attaching patio cover to concrete or masonry unit, a masonry drill, bit, and anchors are required.

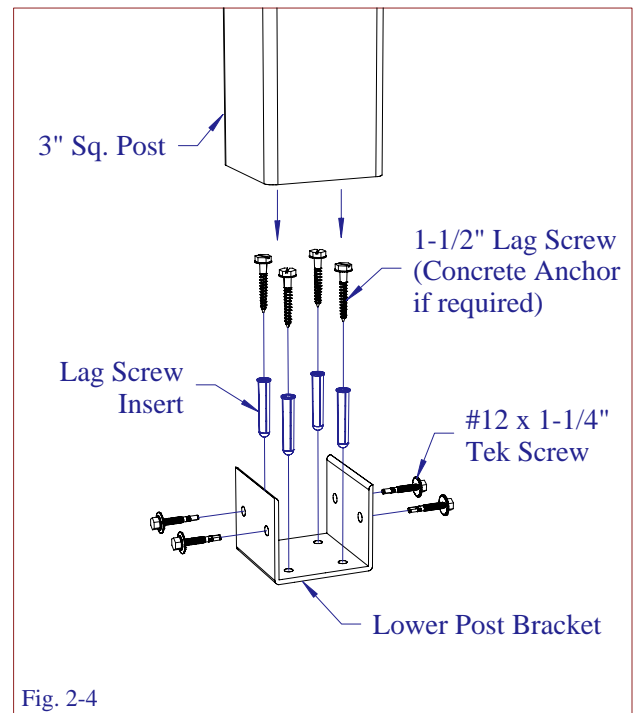
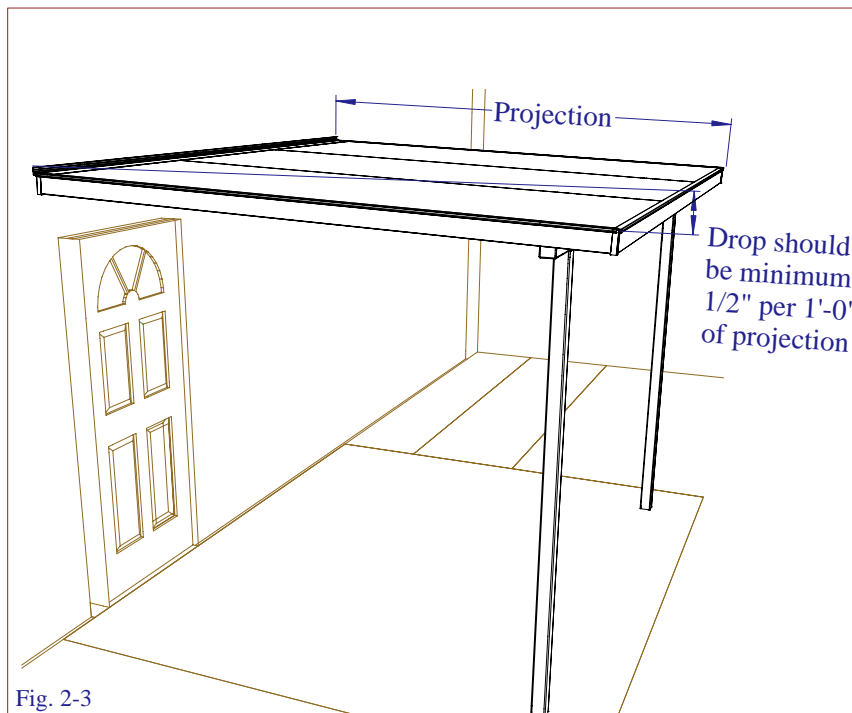


## STEP 2.

- Attach 3" sq. posts to top brackets with 4 - #12 x 1-1/4" Tek Screws as shown (see Fig. 2-1).
- Cut post to proper height. We recommend front height of cover be 1/2" per foot of projection lower than mounting height (see Fig. 2-3). Remember to subtract 3" from post height to allow from the box beam.
- Example: Need 80" front height, cut posts to 77". 3" box beam will sit on top of the posts.
- Position the box beam with an equal amount of overhang from each post.
- Post spacing should be no more than 9'-0" between posts.
- Attach top brackets to box beam with 4 - #12 x 1-1/4" Tek Screws as shown (see Fig. 2-2).



- Mark the desired location for the posts.
- Place a lower mounting bracket at each location, drill 4 - 3/8" diameter holes and embed 4 - lag screw inserts.
- Using 4 - lag screws, or concrete anchors if required, attach the brackets to the footing (see Fig. 2-4).
- Using 4 - #12 x 1-1/4" Tek Screws per bracket, attach a post to each bracket (see Fig. 2-4).





### STEP 5.

- Place the front fascia over the front of the roof panels and attach with #8 x 3/4" Tek Screws as shown (see Fig. 5-1).
- Place the projection fascia over either side of the roof panels and attach with #8 x 3/4" Tek Screws as shown.
- Attach the projection fascia to the front fascia and mounting channel with a #8 x 3/4" Tek Screw through both pieces (see Fig. 5-2).
- Repeat for opposite side.
- It is recommended to run a bead of caulk where the top edge of the front and projection fascias meets the roof panels.

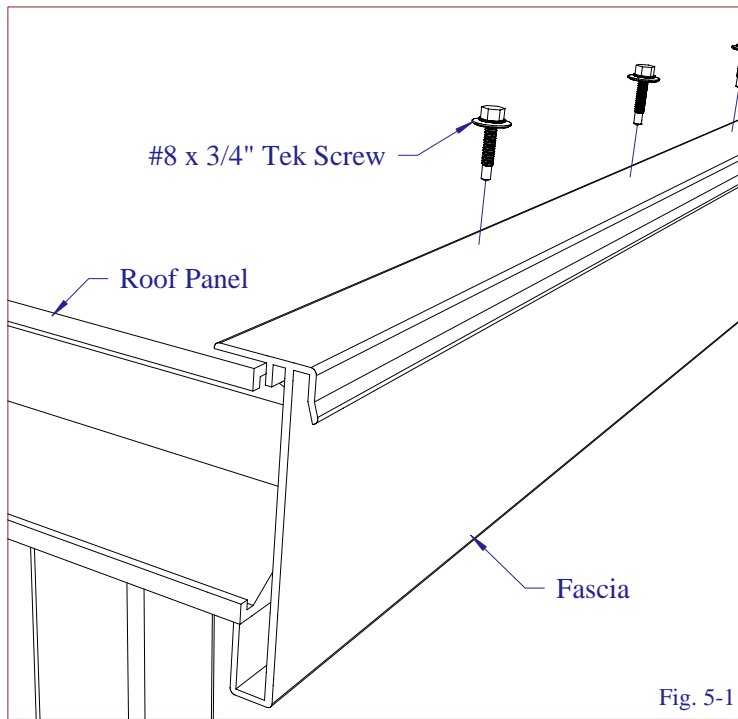


Fig. 5-1

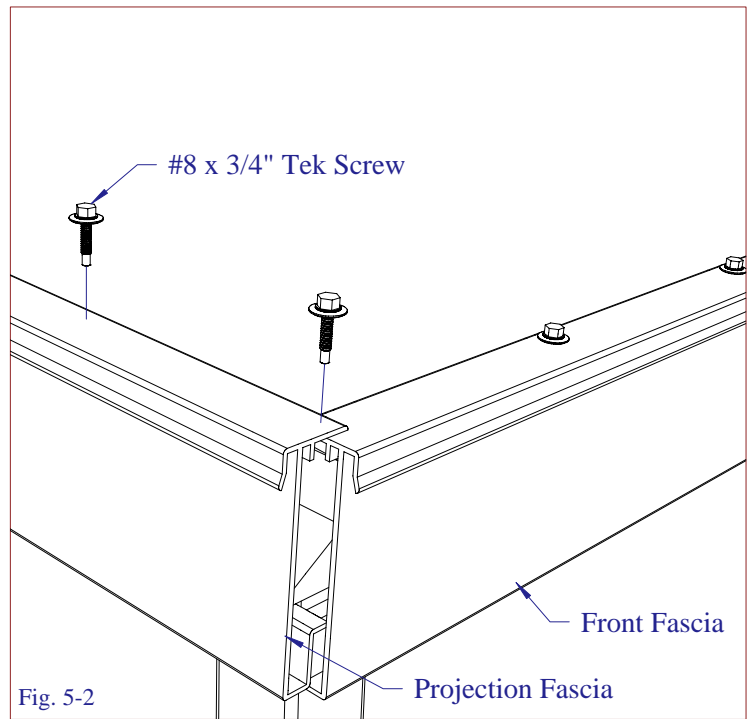


Fig. 5-2

### STEP 6.

- Using 4 - #8 x 3/4" Tek Screws, attach a corner cap over each corner made by the fascia (see Fig. 6-1). Be sure to insert the corner cap under the outer lip at the top of the fascia.
- Using 4 - #8 x 3/4" Tek Screws, attach a corner cap over each corner made by the projection fascia and the mounting channel (see Fig. 6-2).

NOTE: Regular house gutter can be attached if desired. Simply snap the gutter under the top lip of the fascia and screw in place.

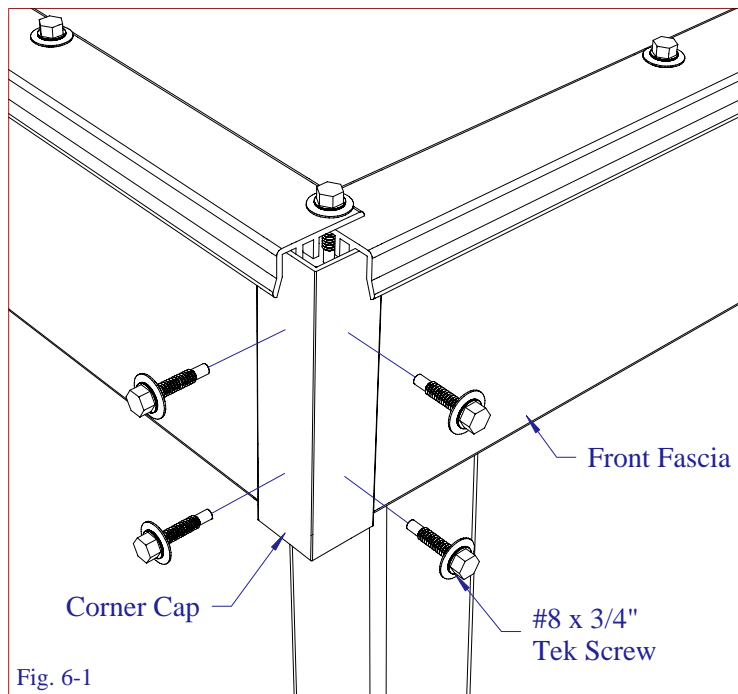


Fig. 6-1

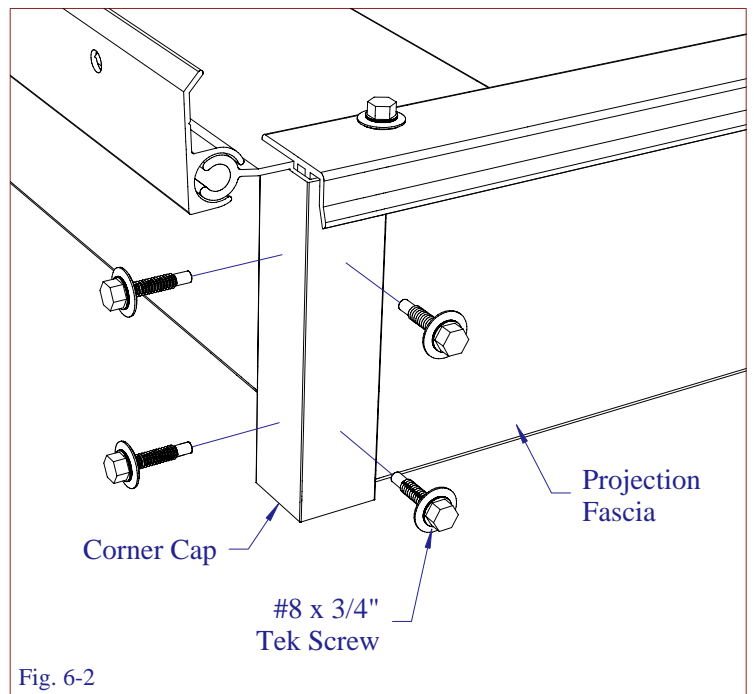
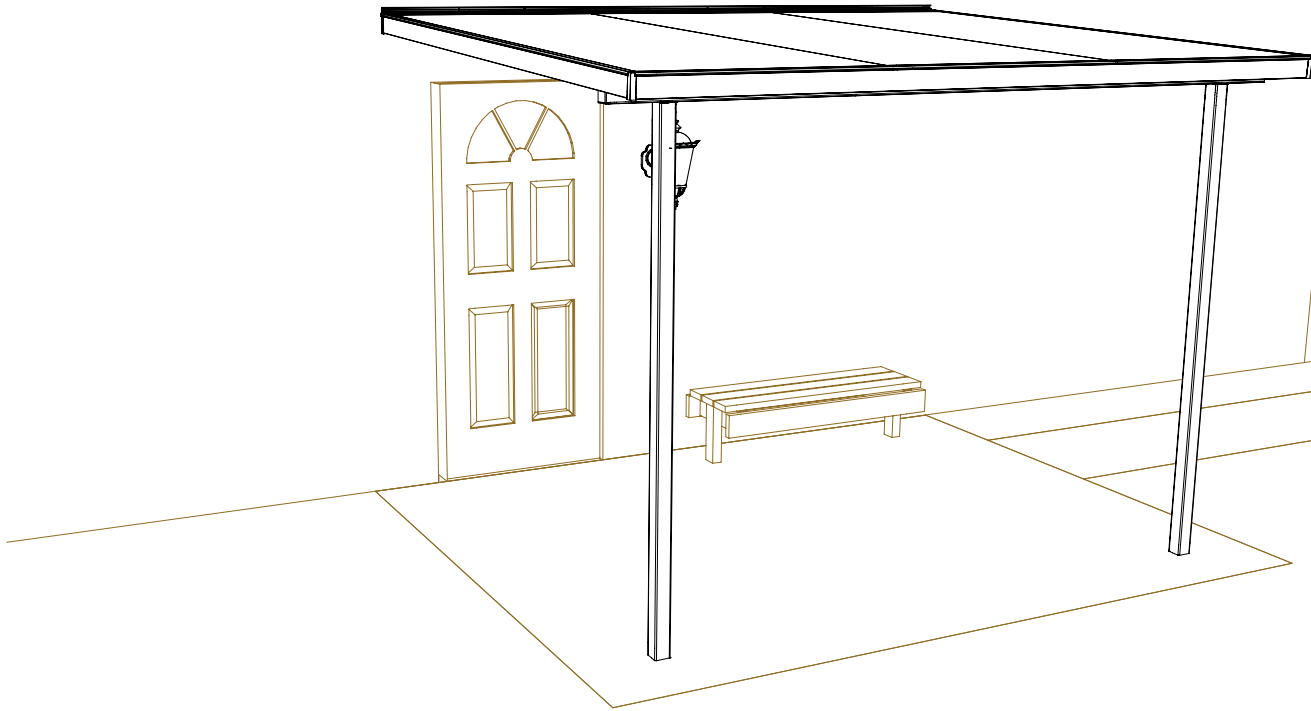


Fig. 6-2

ASSEMBLY COMPLETED



*Other Products Available from AMERICANA BUILDING PRODUCTS:*

Fabric Window Awnings, Aluminum Patio Covers and Window Awnings, Glass Enclosures, Screen Enclosures, Park Shelters, Aluminum Railings & Columns, Retractable Fabric Awnings & More!

NOTES