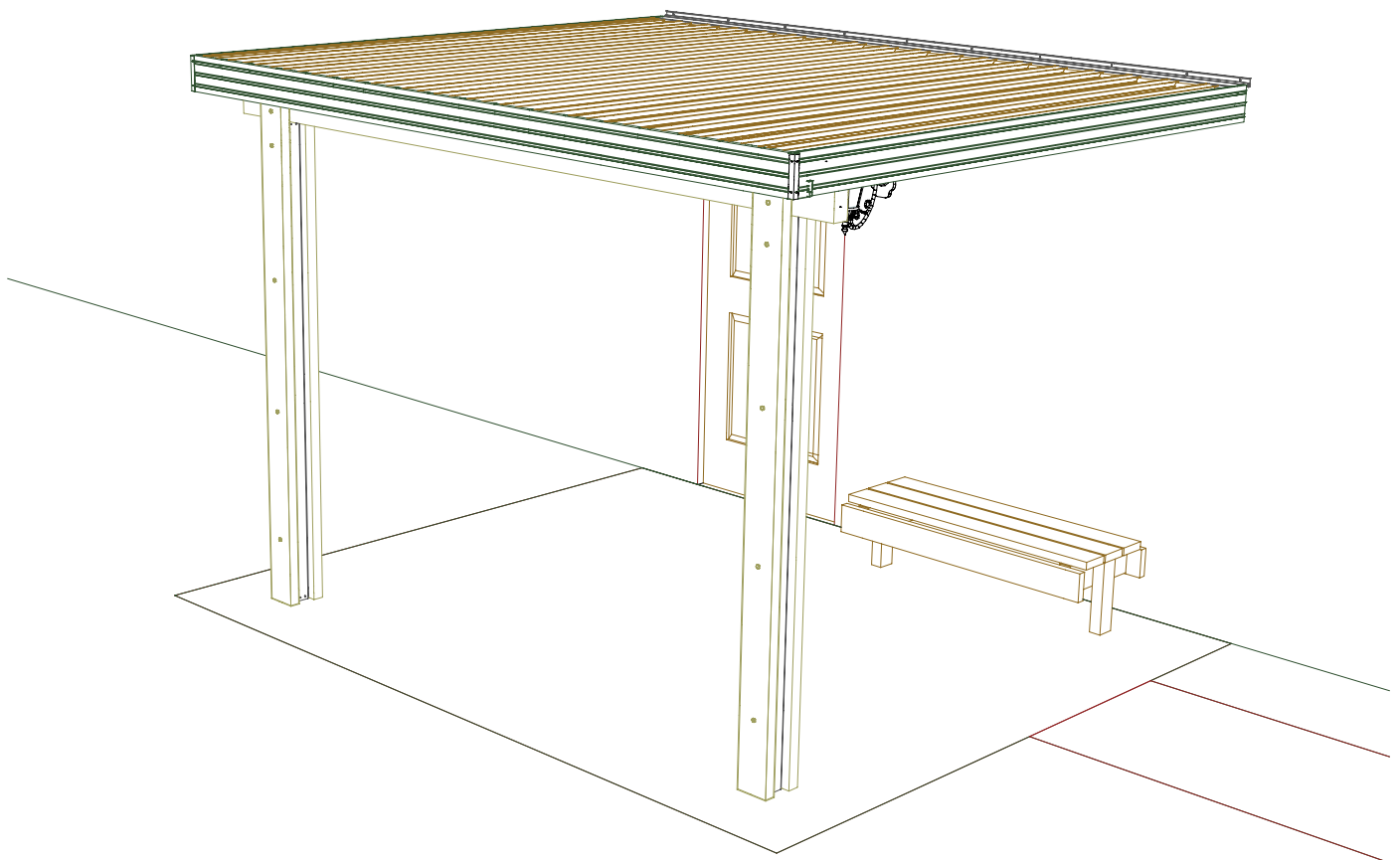




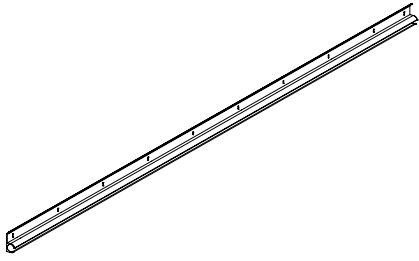
TETON PATIO COVER
(w/ 3" x 8" HEADER &
OPTIONAL DOWNSPOUT)
ASSEMBLY INSTRUCTIONS



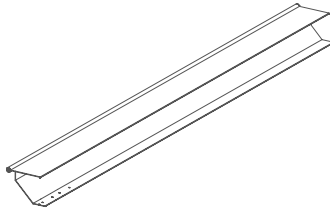
Recommended Tools: Level, Pliers, 3/8" Electric Drill, Carpenters Square, Tape Measure, Metal Hack Saw
Silicone Caulking, Screw Drivers (Regular & Phillips)

- Before You Begin:***
1. Please read all instructions carefully. Check the Bill of Materials for any missing parts, and gather all necessary tools. The paint finish can be scratched so place materials on tarp or cardboard to prevent scratching.
 2. Note that this patio cover kit is not designed to carry additional loads such as hanging plants, swings, people, trellis's, or other objects.

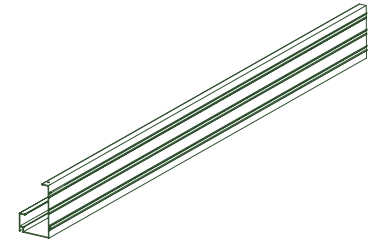
TETON PATIO COVER PARTS LIST



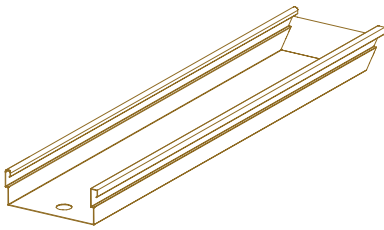
1. Awning Rail



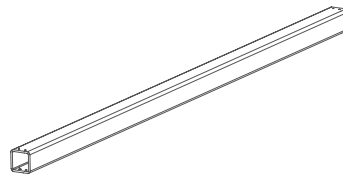
2. Wall Mounting Channel



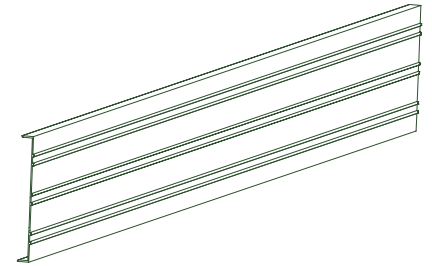
3. Gutter



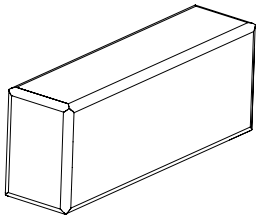
4. Roof Panel



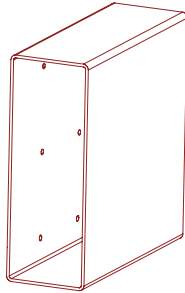
5. 3" x 3" Post



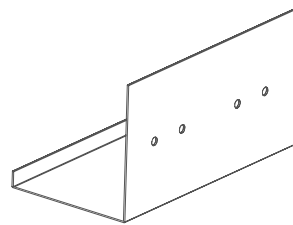
6. Fascia



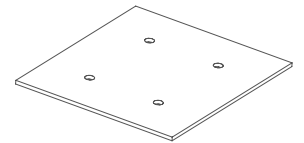
7. Styrofoam Flashing Plug



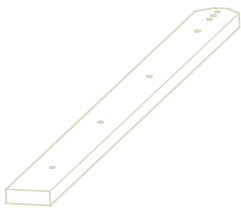
8. Header Splice (Optional)



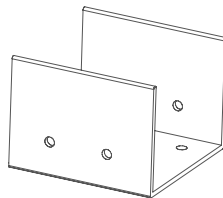
9. Gutter Splice (Optional)



10. Wall Channel Splice Plate (Optional)



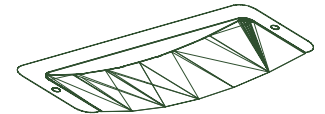
11. Sideplate (Optional)



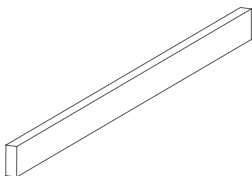
12. 3" Sq. Post Bracket



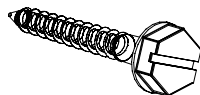
13. Corner Cap



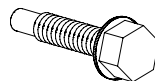
14. Scupper



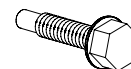
15. 3" x 8" Header



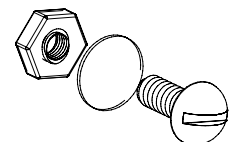
16. 1 1/2" Lag Screw



17. #14 x 3/4"
Tek Screw



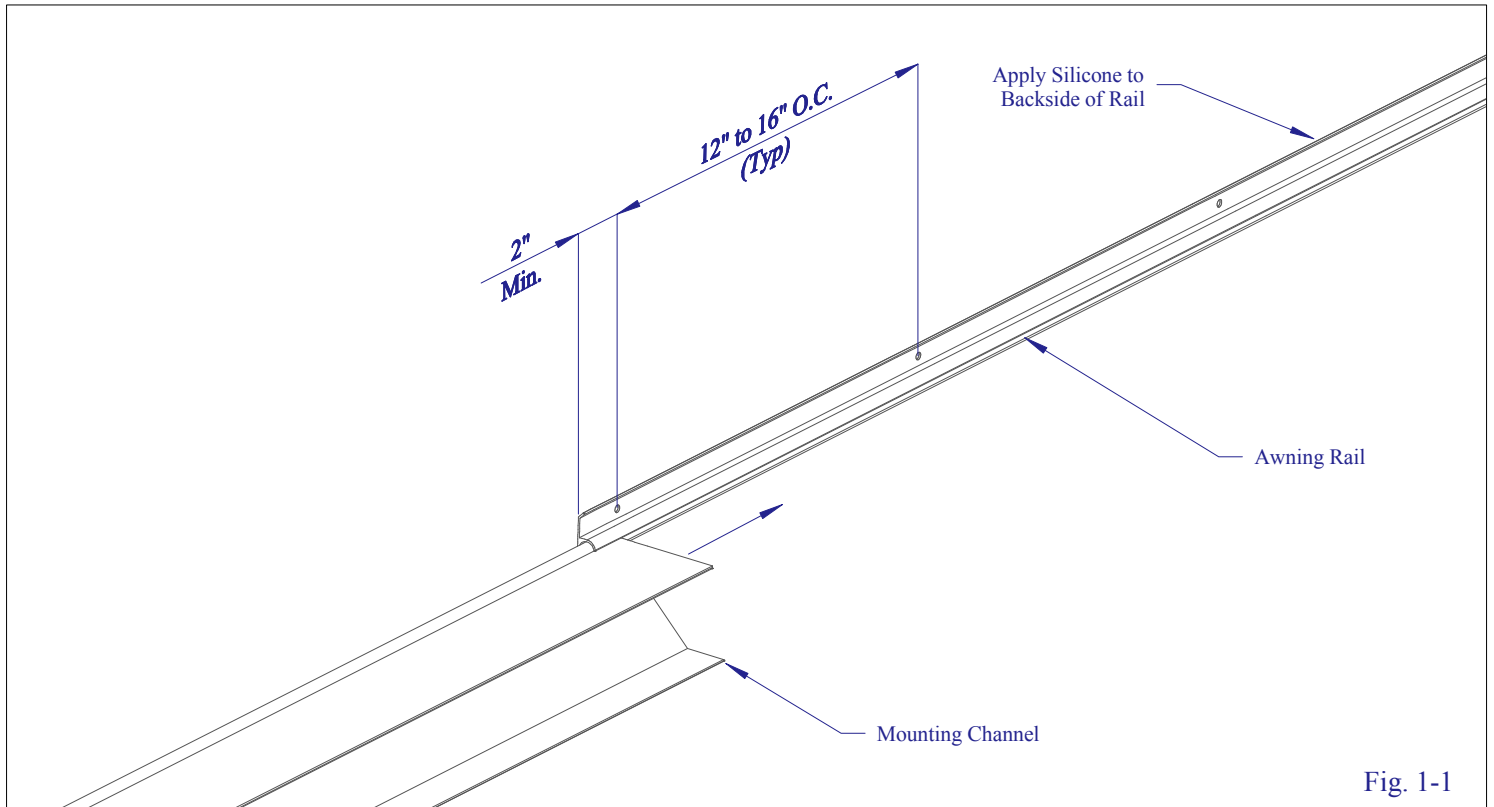
18. #8 x 3/4"
Tek Screw



19. #8 - 32 x 1/2"
Bolt, Nut, & Washer

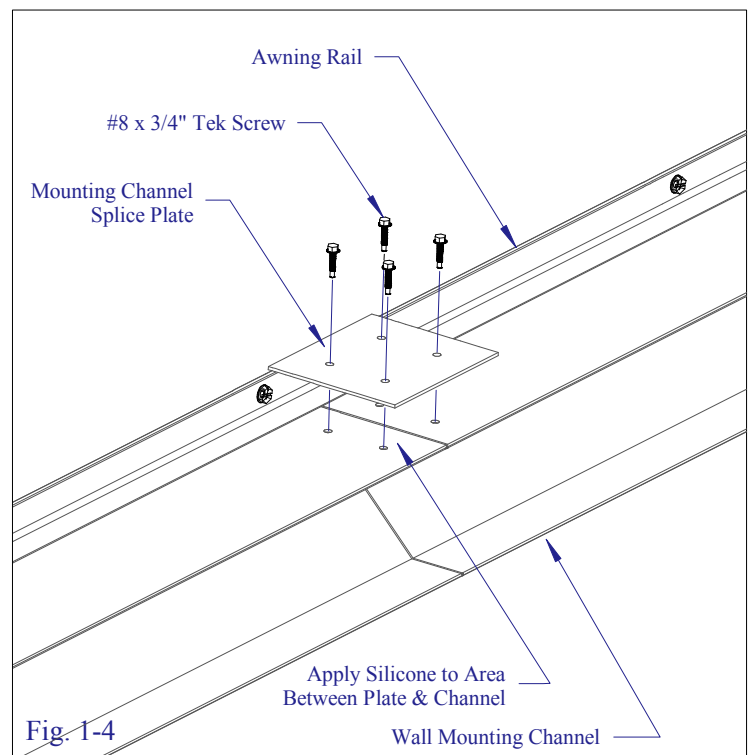
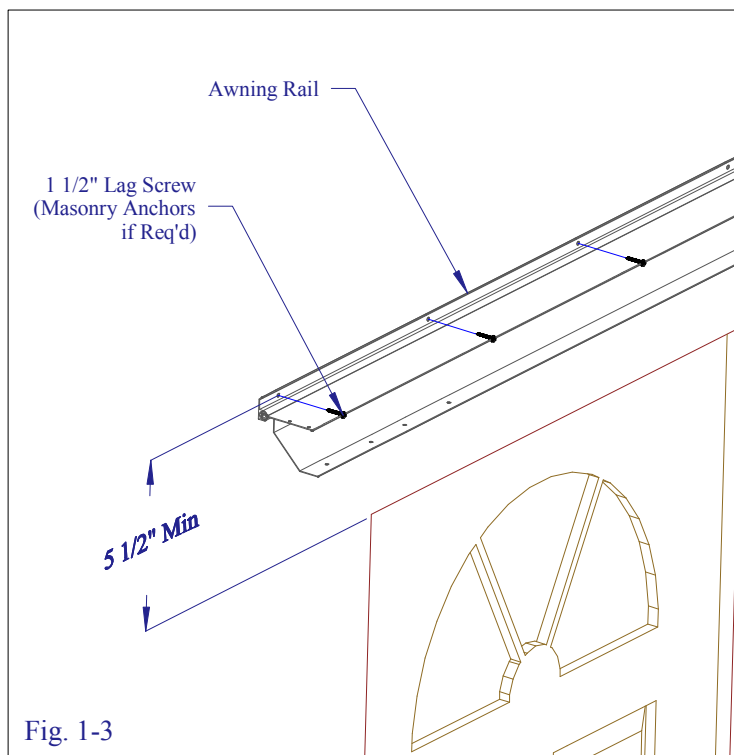
STEP 1.

Drill 1/4" dia. holes beginning 2" from either end at 12" to 16" on center in awning rail as shown (see Fig. 1-1). Slide awning rail onto wall Channel and apply a generous bead of silicone to backside of awning rail (see Fig 1-2). (Note: Center to center dimension of 1/4" holes is determined by location of wall studs or other structural member that the awning must be anchored to. Do Not attach awning to sheeting, siding, flashing, or any other non-structural surface.



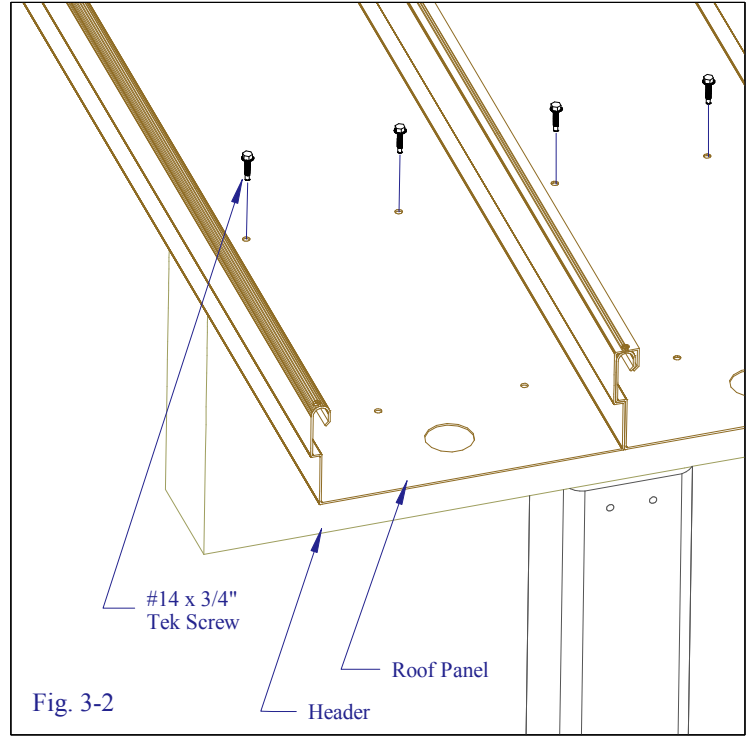
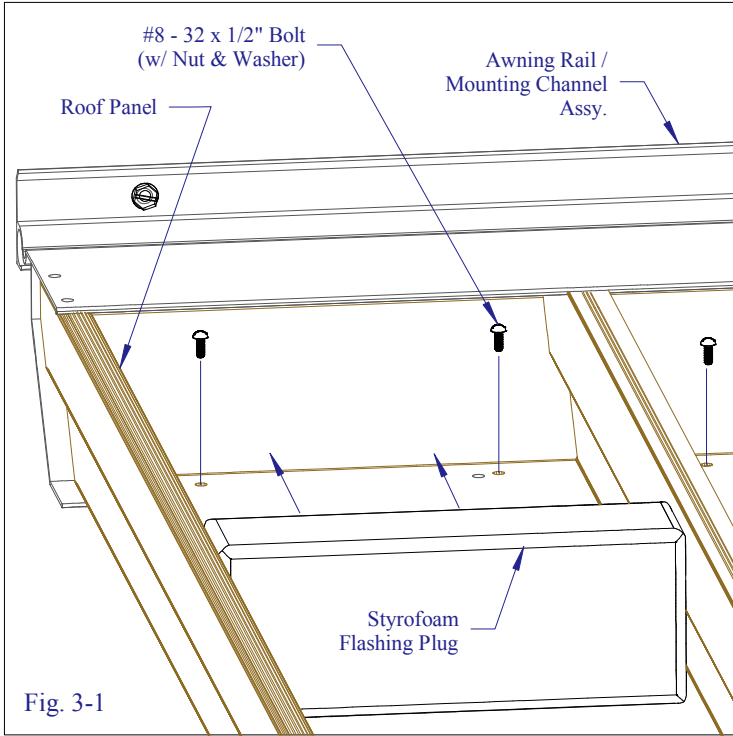
Mark a level line a minimum of 5 1/2" above out-swinging door. Align holes in awning rail with level line, and attach awning rail / mounting channel assy. to existing structure with 1 1/2" lag screws (see Fig. 1-3). If mounting channel is in two sections a splice plate is required (see Fig. 1-4). Be sure to caulk wall mounting channel at splice and remove excess silicone after attaching.

NOTE: If attaching patio cover to concrete or masonry unit a masonry drill, bit, and anchors are required.

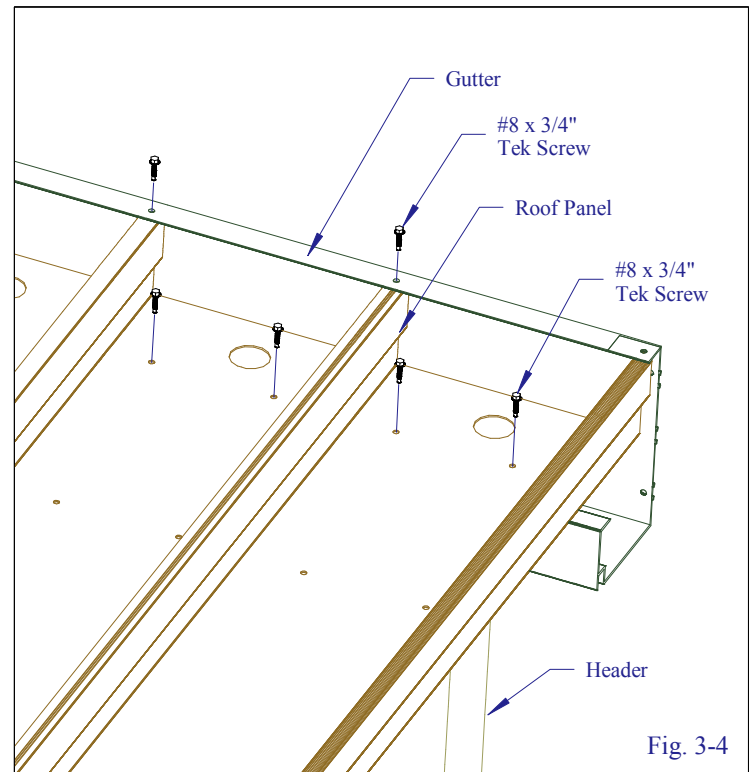
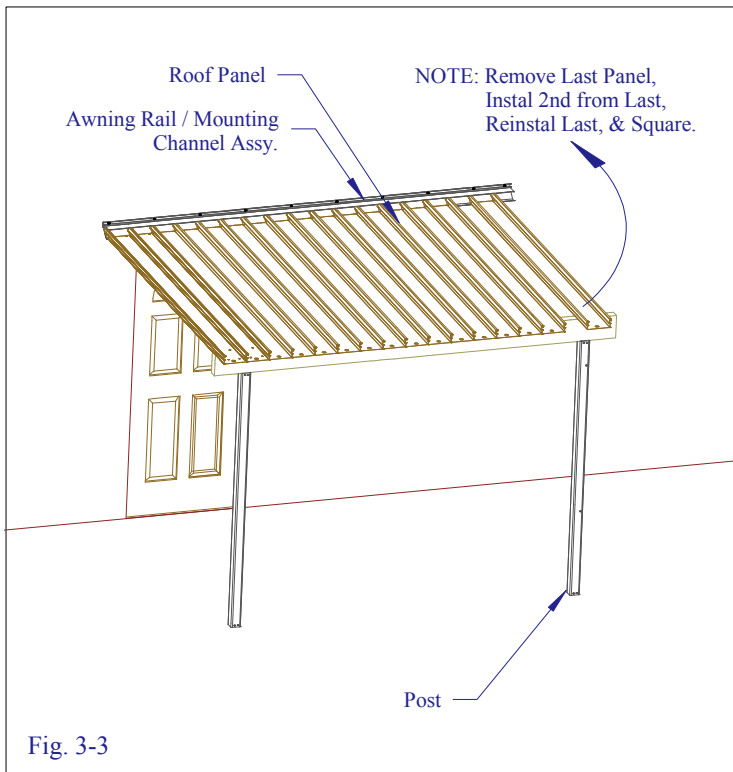


STEP 3.

Attach the bent end of the roof panels to the wall channel using 2 - #8 - 32 x 1/2" Bolt w/ nut & washer (see Fig. 3-1). Attach squared end of roof panel to header using 2 - #14 x 3/4" Tek Screw w/ washer per panel as shown (see Fig 3-2). Header will be 2" shorter than the width of awning. To properly center header measure 1" inward from outside edge of roof panel and locate end of header. (Note: for awnings with 12' projection or less we recommend locating the header 12" behind face of gutter and awnings with a projection greater than 12' we recommend a 24" set back.) After roof panel is secure apply silicone to four faces of the styrofoam flashing plug & fit it between mounting channel and roof panel (see Fig 3-1).

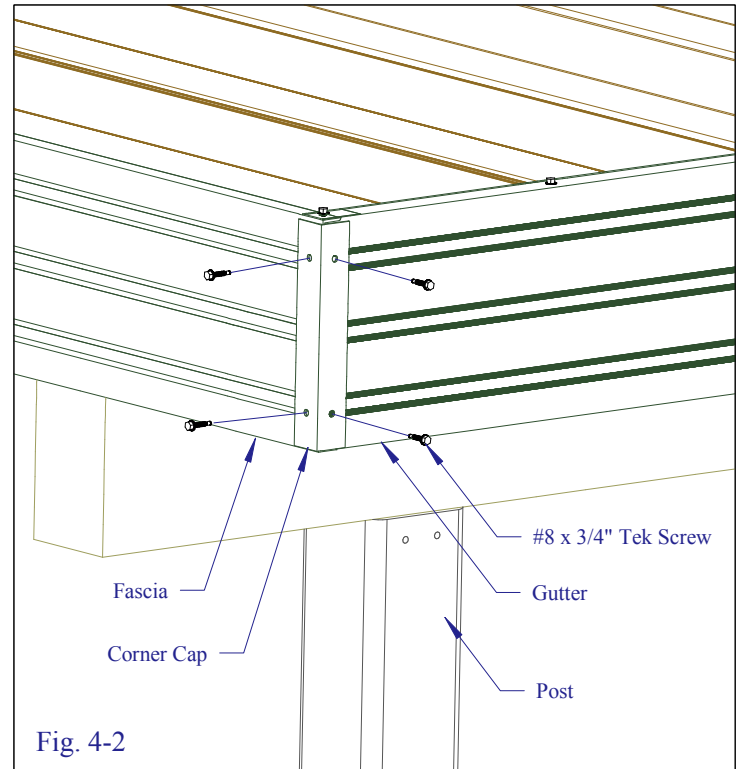
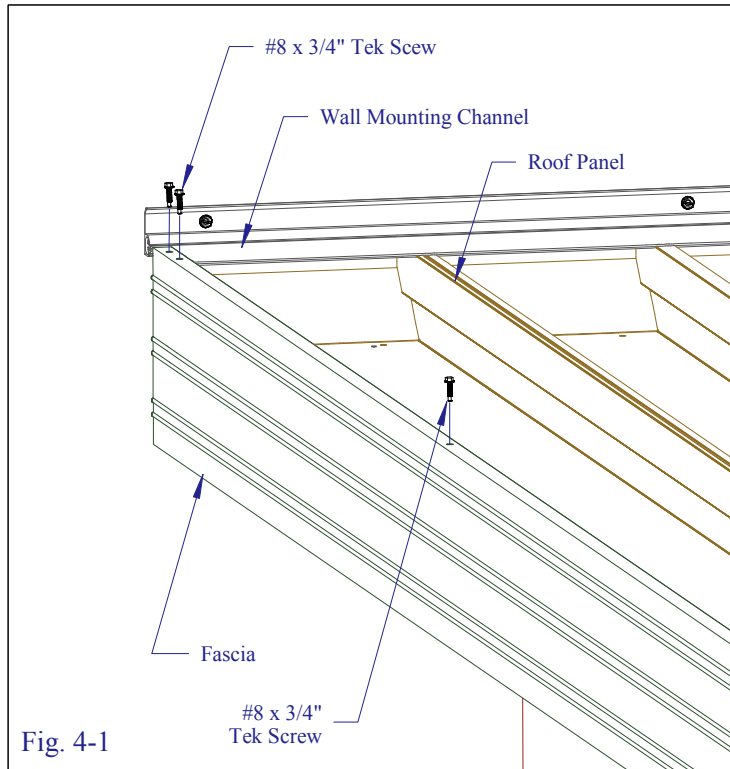


Once there are two roof panels attached, one at each end, square the cover. Slide or snap remaining roof panels into place. When you reach the last two panels, remove the end panel installed to square the unit and install the 2nd from last panel before reinstalling end panel. Square cover again and tighten all screws. Attach the gutter to the square end of the roof panels using 3 - #8 x 3/4" Tek Screws per panel as shown. Square cover again and tighten all screws.



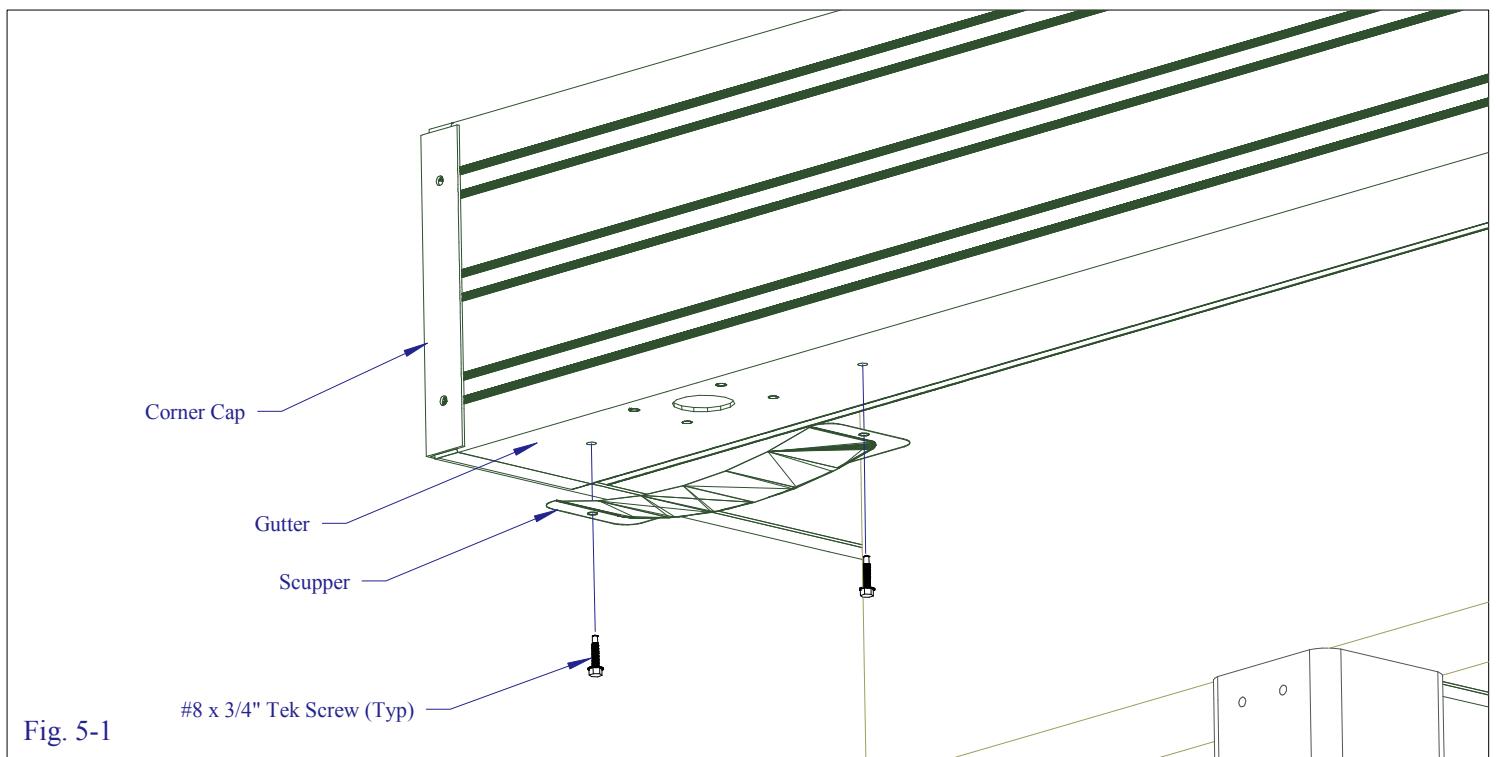
STEP 4.

Attach one end of projection fascia to the wall channel with 2-#8 x 3/4" screws from the top of fascia. If your patio cover has a projection greater than 8'-0" we recommend securing the center of the fascia to the roofing panel as shown (see Fig. 4-1). Attach the either end of projection fascia to the gutter by caulking & installing corner caps with #8 x 3/4" screws (see Fig. 4-3).



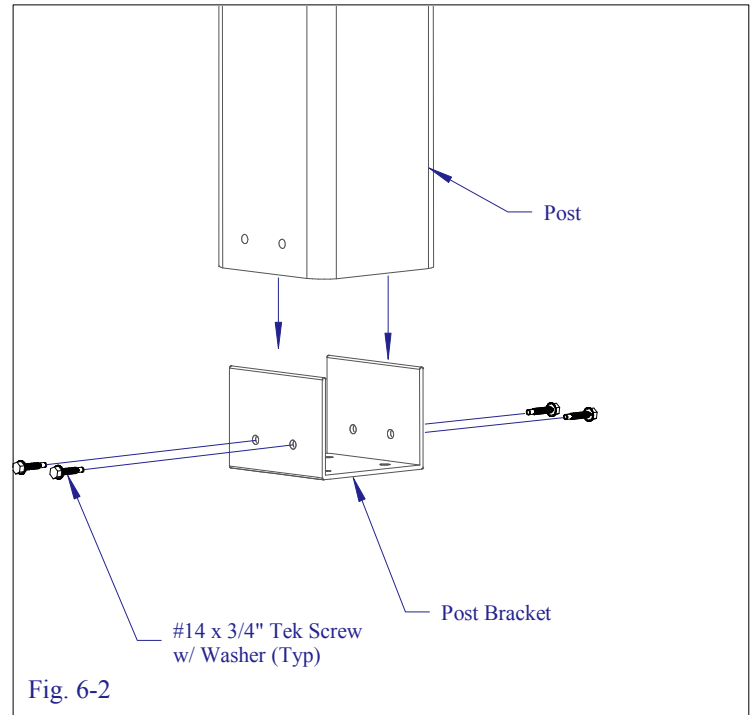
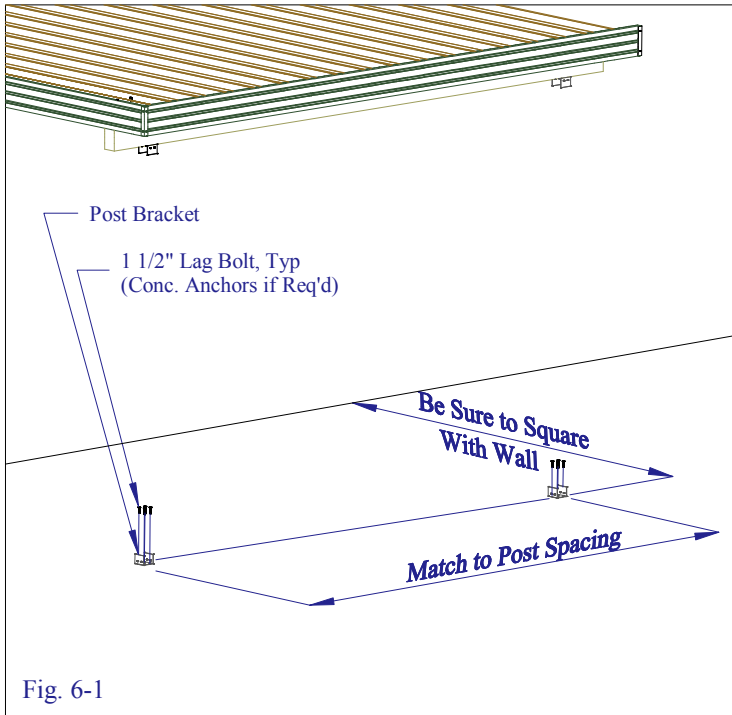
STEP 5.

Determine where you want the water to run from unit. Mark and drill several small holes in bottom of gutter forming a pattern no bigger than 2" x 3". With a saw remove the material between holes to create one larger hole. Apply silicone to flange of scupper & attach to gutter with 2 - #8 x 3/4" Tek Screws covering large hole (see Fig. 5-1). We recommend the optional downspout kit (see last page).



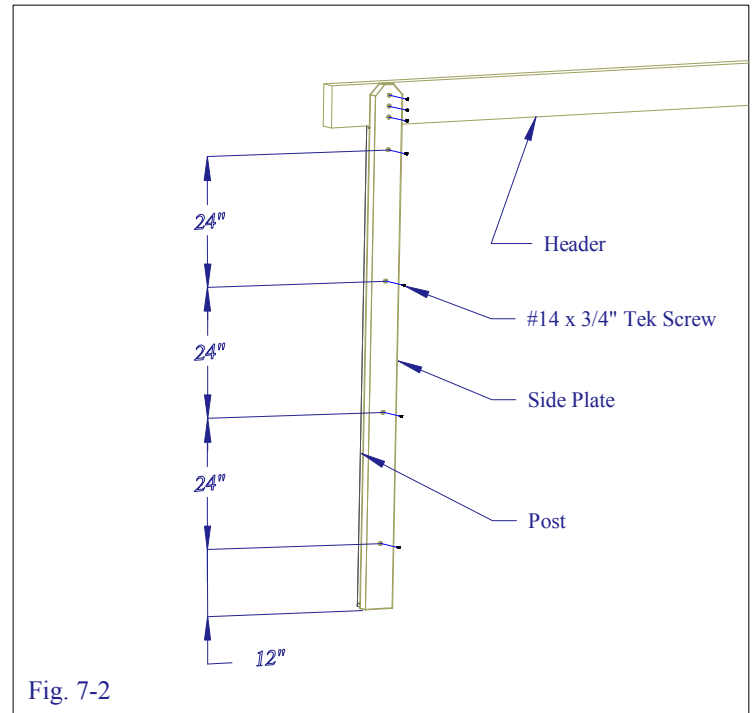
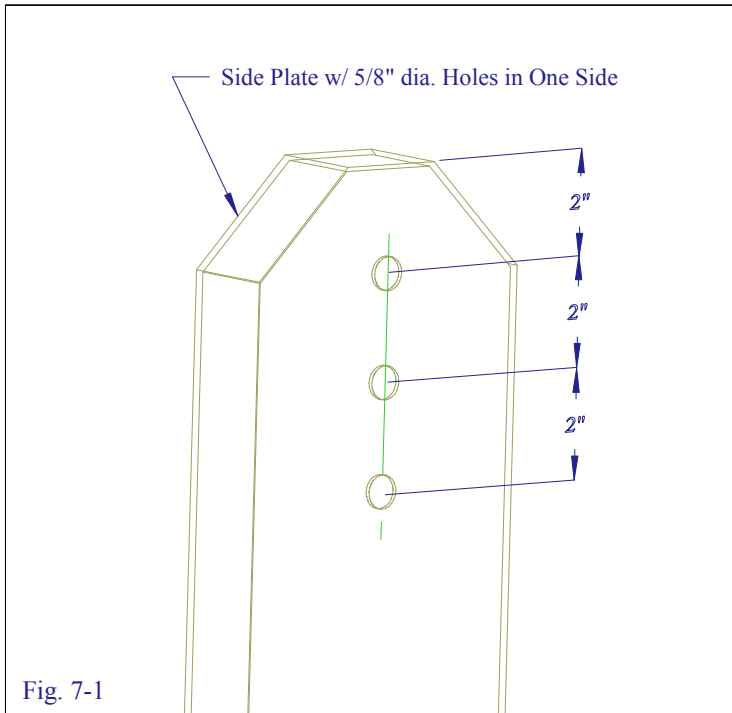
STEP 6.

Attach bottom post bracket to deck or slab directly beneath the header-to-post connection using 4 - 1 1/2" screws or concrete anchors for each bracket. Secure posts to post brackets using 4 - #14 x 3/4" Tek Screws w/ washers (see Fig. 6-2) NOTE: Be sure to square post brackets with building and post spacing.) (see Fig. 6-1)



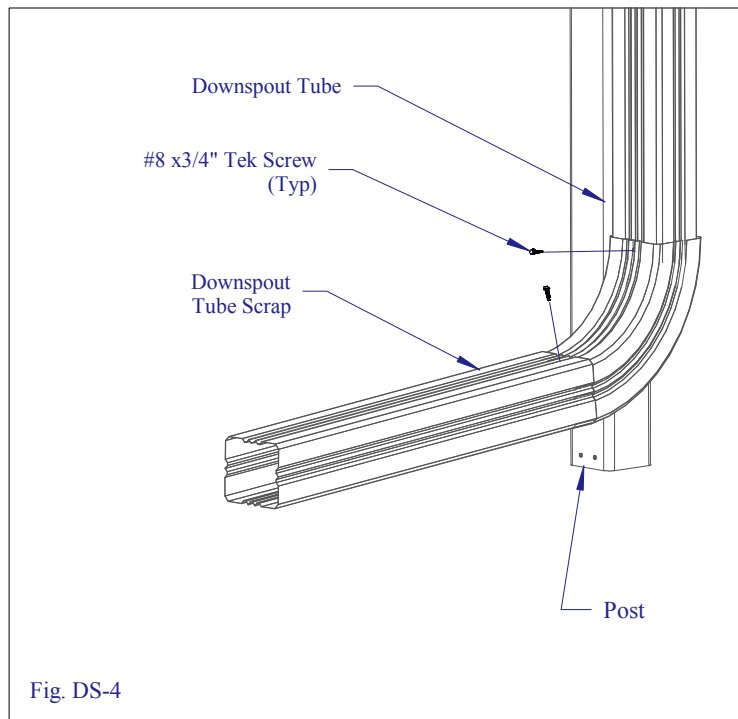
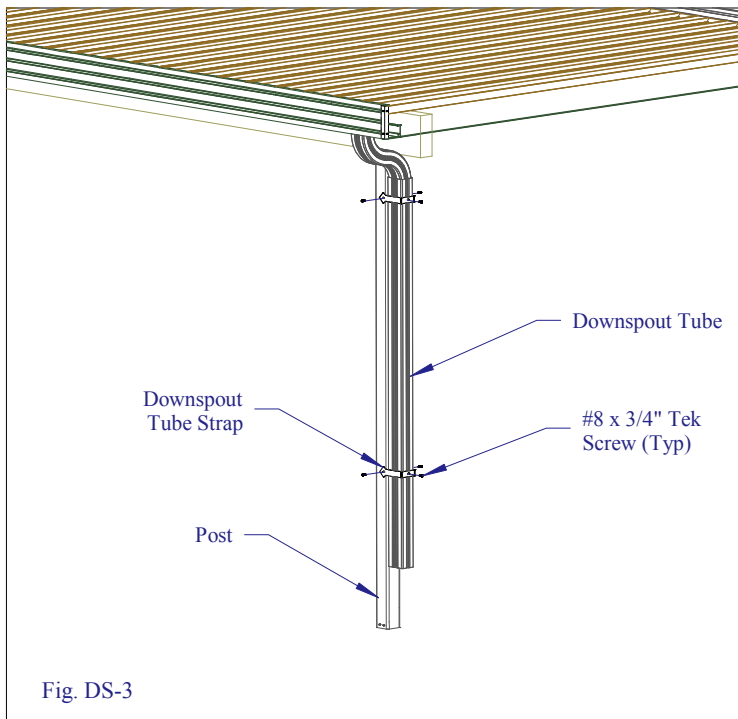
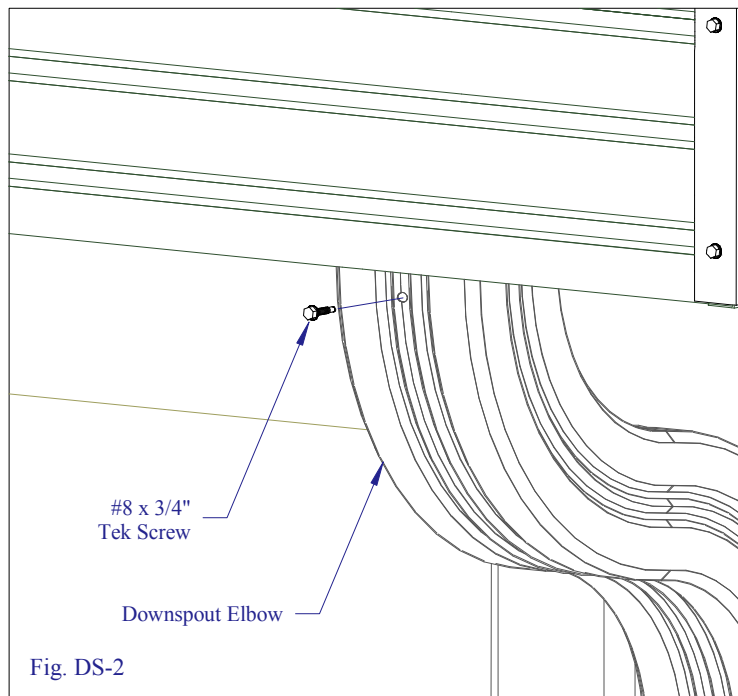
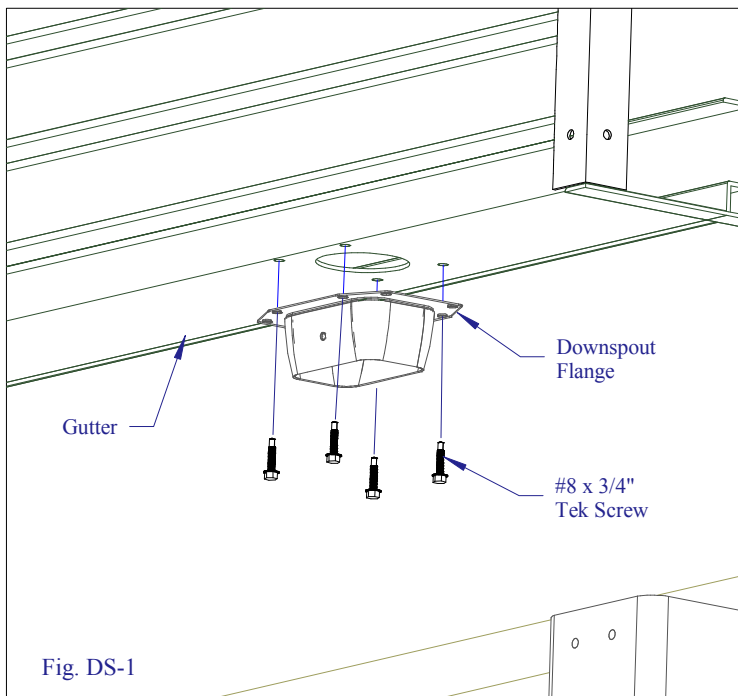
STEP 7. OPTIONAL 2" x 6" SIDE PLATES

Measure and cut sideplates to proper length (be sure to cut from bottom). Top of sideplate should be flush with bottom of roof panels. Drill 7 - 5/8" dia holes in one side as per the dimensions shown in Fig. 7-1 & 7-2. Center side plate against post and attach with #14 x 3/4" Tek Screw (see Fig 7-1). Cap 5/8" holes with provided plugs. Repeat on opposite side of post.



OPTIONAL DOWNSPOUT ASSEMBLY

Cut hole in desired location along bottom of gutter. We recommend the hole be located beside a post. Using 3/4" screws attach downspout flange over hole, be sure to apply silicone between flange and gutter (see Fig. DS-1). Cut downspout tube to desired length and secure to neck of downspout flange with 3/4" screw (see Fig. DS-2). Strap downspout tube to column using 3-#8 x 3/4" Tek screw per strap (see Fig. DS-3). Attach Downspout elbow to tube w/ #8 x 3/4" Tek Screw. (NOTE: Insert bottom of tube into elbow for effective water flow.) Use the remainder of downspout tube attaching it to the bottom of elbow as shown (see Fig. DS-4).



ASSEMBLY COMPLETED

Other Products Available from Americana: Fabric & Aluminum Awnings - Carports -
Patio Covers - Room Enclosures - Park Shelters

Check Out Our Web Site @ www.americana.com