

IMPORTANT -- SPECIAL INSTALLATION INSTRUCTIONS

**** READ ALL INSTALLATION INSTRUCTIONS BEFORE STARTING!****

If at any point, you have questions, call 1-800-851-0865...(The manufacturer will not be responsible for delays or lost installation time, due to failure to follow all instructions.)

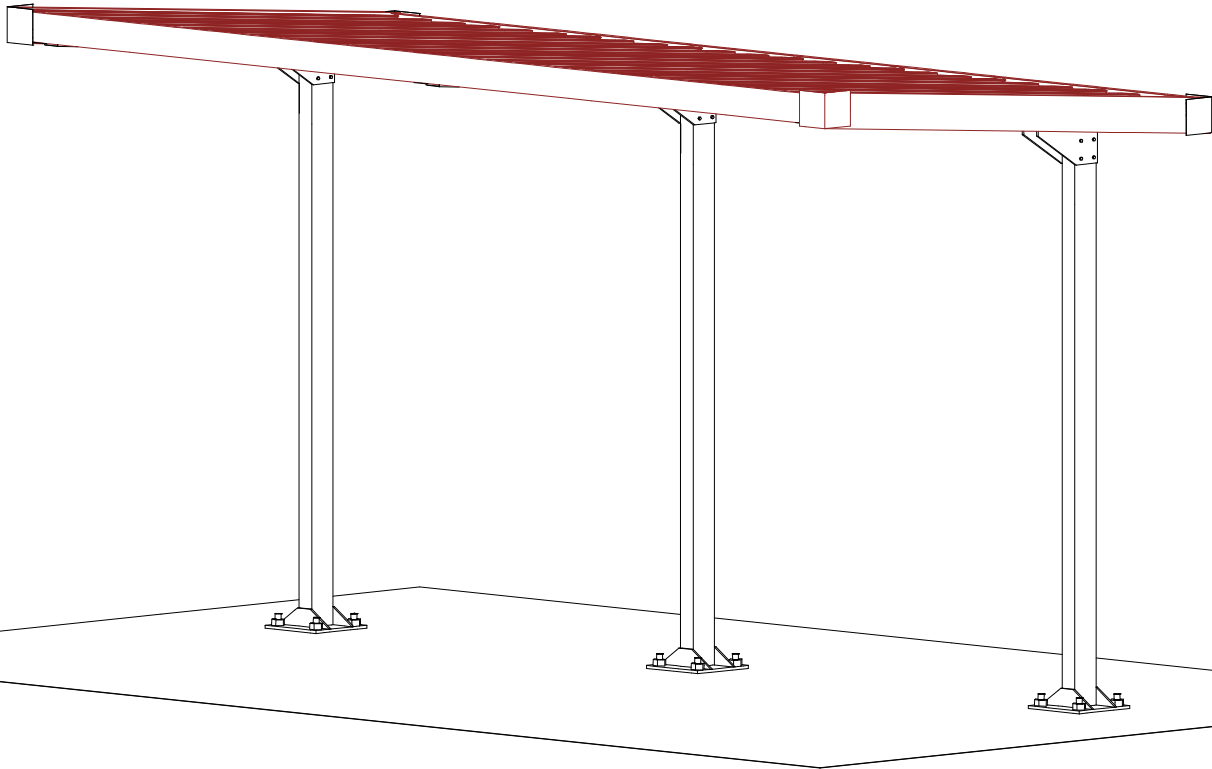
ATTENTION INSTALLERS:

Metal shavings left on roof or other surfaces will quickly rust and stain the surface finish. Cutting, drilling and installing roof panels, fasteners and other components will cause metal shavings. These shavings **MUST** be carefully removed at the end of each day by either sweeping or brushing the installed roof and other surfaces.

1. It is **EXTREMELY IMPORTANT** that, before setting any anchor bolts, the current footing layout is obtained from the manufacturer and the bolts are accurately set.
 - 1A **Anchor Bolts** are **not** included and must be furnished at time of installation. Consult local building codes and drawings if ordered and furnished.
 - 1B We recommend using **High Quality Stainless Steel Anchor Bolts** in areas with a corrosive climate. Check local building codes.
2. If the shelter is set on a concrete slab (or footings), the slab must be exactly level so that all the posts will be at the exact same elevation when mounted on the slab and anchored down.
3. If the shelter is set on an unlevel surface, it will bolt together if assembled with all bolts loose. When the bolts are tightened, some of the steel joints will have gaps and the unit may not be exactly plumb; however, the strength of the structure will not be affected.
4. In areas with frequent rain, the slab or footing elevation should be at least 1” above the elevation of the surrounding landscaping to prevent water from ponding around the base plate and anchor bolts.
5. In most cases, the anchor bolt nuts should not be tightened completely, until the frame is assembled and squared, and the roof panels have been installed.
6. In all cases, the center to center of roof panel lock spacing, the 24” c/c for the 3-V roof panels, the 10” c/c for the single V panels, and the 18” OR 8” c/c for the flat panels must be maintained as the panels are installed. This spacing must be maintained across both the top and bottom of the panels. **IF THIS IS NOT DONE**, the problems may not show-up until towards the end of the panel installation, when they will not fit properly and appear to be too long or cut wrong. If this happens, go back and check the spacing and re-set if necessary.

7. As is common in the erection of all types of metal structures, due to job site conditions - unlevel slabs, footings, etc., slight modifications such as reaming of some holes or even drilling a new hole or two, may become necessary and must be done on the job site.
8. Installing Tek screws at a high rpm may cause the Tek screws to become damaged or break during installation. If damage or breakage occurs, lower the speed of the drill.
9. Predrilling holes and removing metal shavings and debris from between components before fastening together will help prevent any rusting or staining of surrounding surfaces.
10. After assembly of the gutter is complete, be sure to drill holes in the gutter at the desired locations and install scuppers or downspouts.
11. Touch up paint has been supplied with your shelter to cover minor scratches or bolt and screw heads to give your shelter that finished look. Use a template for touch up painting to achieve a good finish and minimize over spray.

SHAWNEE SHELTER INSTALLATION INSTRUCTIONS



Recommended Tools:

Safety Glasses, Tape Measure, Carpenters Level, Framing Square, Hex Head Nut Drivers, Chalk Line, Ladder, Caulk Gun, Elec. Drill w/ Bits (Masonry Drill, Bits. & Anchors maybe required if securing to Stone, Concrete, or any other masonry unit.), Small Screwdriver (to line up Roof Panels)
NOTE: Installing Tek Screws at a high rpm may cause the Tek Screws to become damaged or break during installation. If damage or breakage occurs, lower the speed of the drill.

Before You Begin:

- 1.) Please read all instructions carefully. Check the Bill of Materials for any missing parts, and gather necessary tools. To prevent scratching of painted materials, place on a tarp, paper, or protective material.
- 2.) You may be required to obtain a building permit for this structure from your local building authority. This product should only be installed in 10, 20, or 30 psf (pounds per square foot) snow load and 90 mph or less wind speed zone (Custom models can be designed for heavier loads). This product is listed under ICBO Evaluation Report #2621P. You may have to submit two copies of your plot plan and also a copy of the evaluation report to your local building authority for a building permit. Contact your local building department for details and your area's snow & wind loads.
- 3.) Note that this Patio Cover Kit is not designed to carry additional loads such as hanging heavy plants, swings, people, or other objects.
- 4.) Patio Stone not included.

STEP 1

After referring to the enclosed layout plans, set anchor bolts. **OPTIONAL:** If burying the posts, locate and dig footing holes.

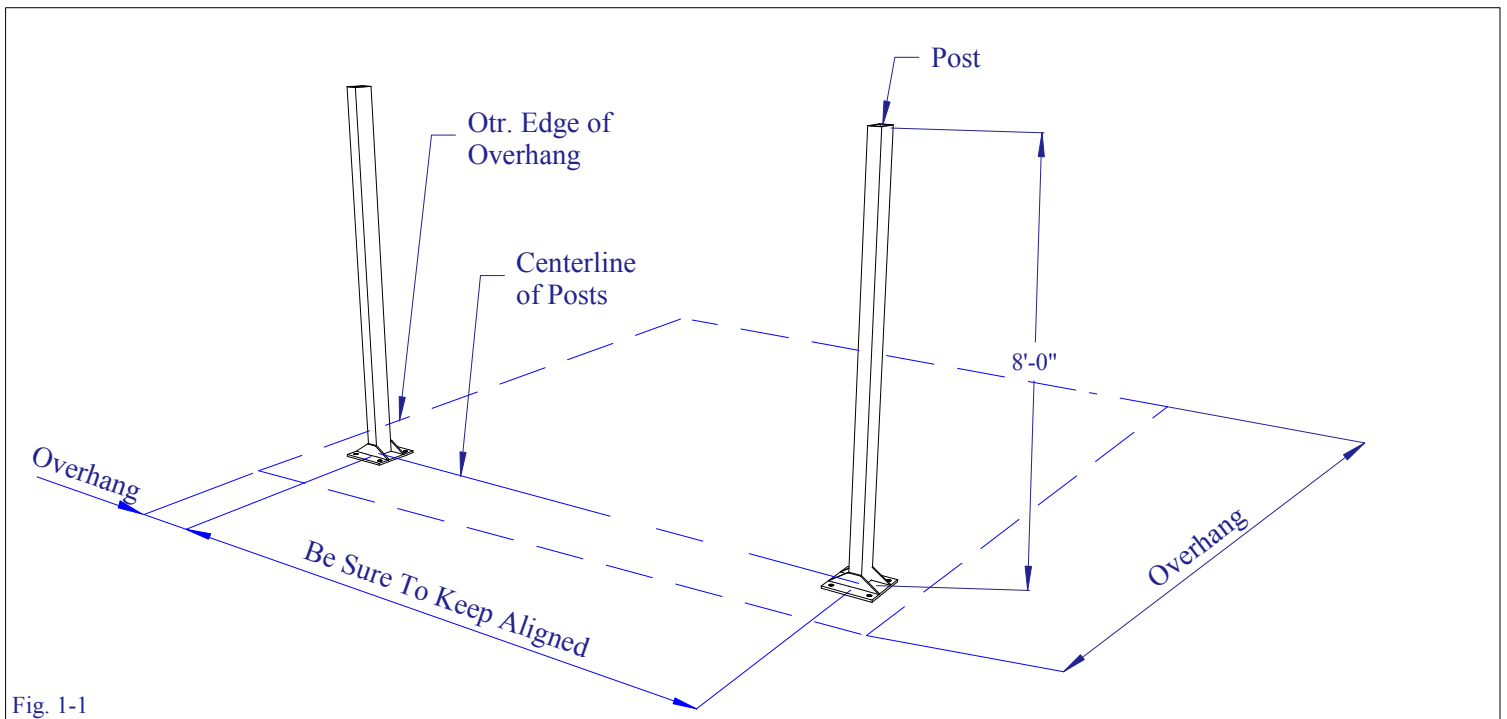


Fig. 1-1

STEP 2

Set posts and anchor to the slab or footing (see Fig. 2-1). **Do Not Tighten Bolts Completely At This Time.**

OPTIONAL: If burying the posts, set posts in the holes (a piece of rebar thru the bottom of the post is recommended). Also, to aid in holding the posts in square and in place, the gutter fascia should be installed at this time. Attach the gutter with the #8 Tek screws thru the pre-drilled holes in the fascia bracket that is welded to the end of each rafter, with the screws going into the bottom of the gutter (see Fig 2-2).

IMPORTANT NOTE: Some larger units require additional purlins. If the unit requires, and is supplied with purlins, see the PURLIN ATTACHMENT DETAIL.

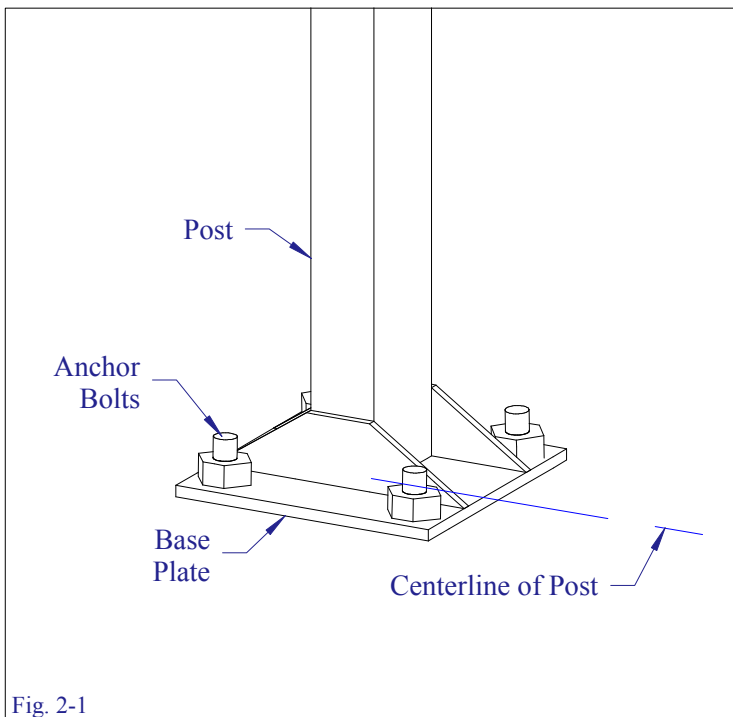


Fig. 2-1

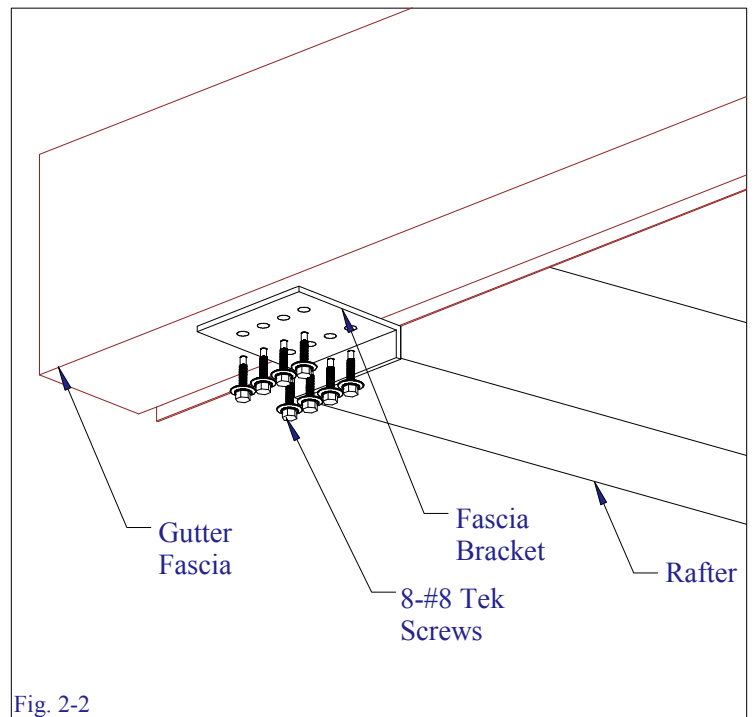


Fig. 2-2

STEP 3

After the gutter fascia has been installed, the unit has been plumbed, squared and leveled, pour the concrete around the posts. Check local building codes for anchor bolt, concrete and reinforcement requirements.

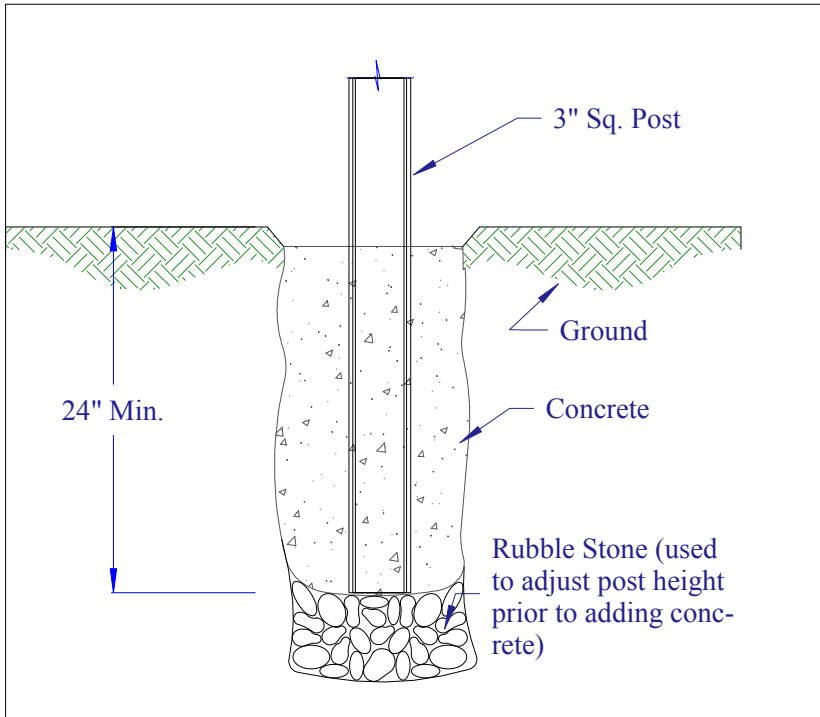


Fig. 3-1

STEP 4

Once the concrete has set sufficiently, the roof panels may be installed. Snap the roof panels together, and slide them into place. Starting with a large lock on one end and keeping it flush with the outside edge of the gutter fascia. Attach the roof panels to the gutter fascia with the #2 Tek screws at 8" on center (see Fig. 4-1).

NOTE: Be Certain To Maintain The Center To Center Of Roof Panel Lock Spacing As Per The Special Installation Notes. After the roof panels have been installed, attach the projection fascia to the roof panels at each end of the unit (see Fig. 4-2).

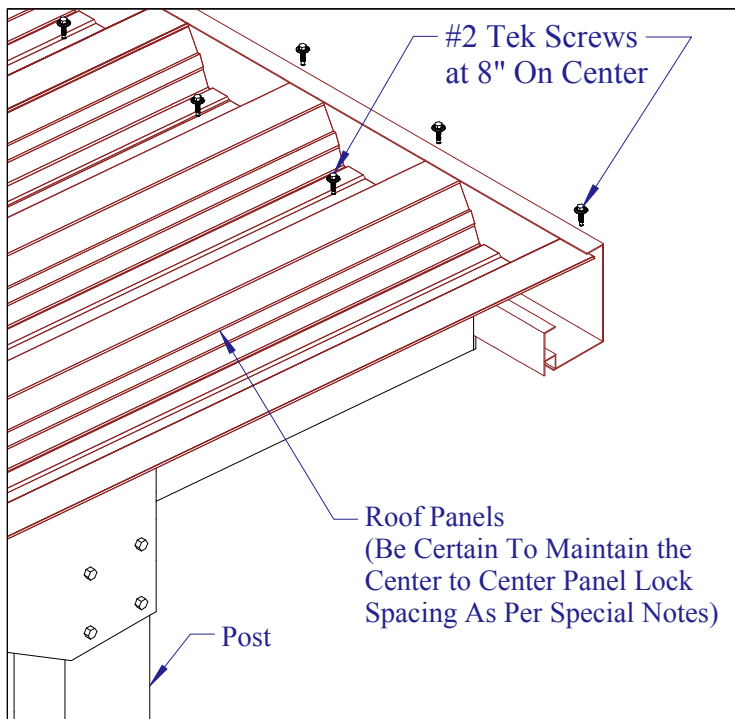


Fig. 4-1

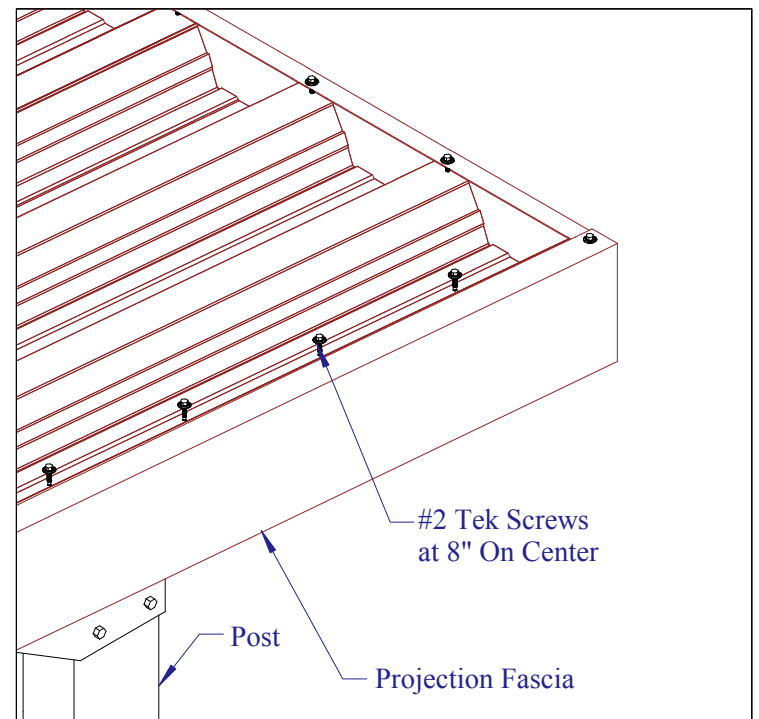


Fig. 4-2

STEP 5

After the gutter and projection fascia have been installed, attach the corner caps using 2-#2 Tek screws on each side. Next, after the corner caps have been attached, drill several holes in the bottom of the gutter at the desired location you want the gutter to drain. The holes should form a pattern no bigger than 2" x 3". Attach the scupper over the holes with 2-#8 Tek screws.

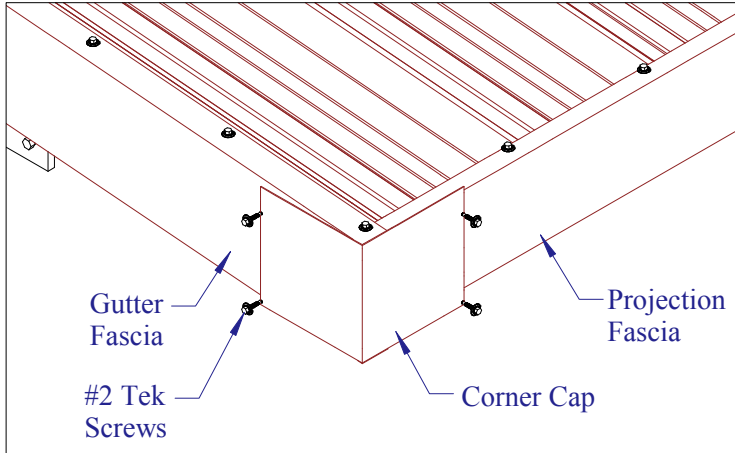


Fig. 5-1

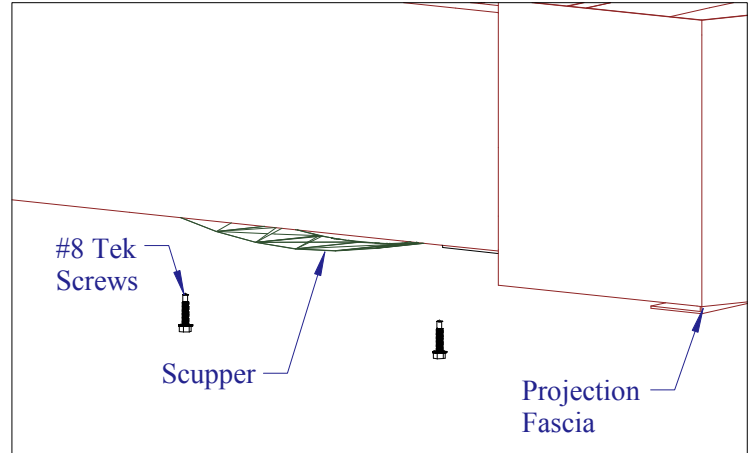
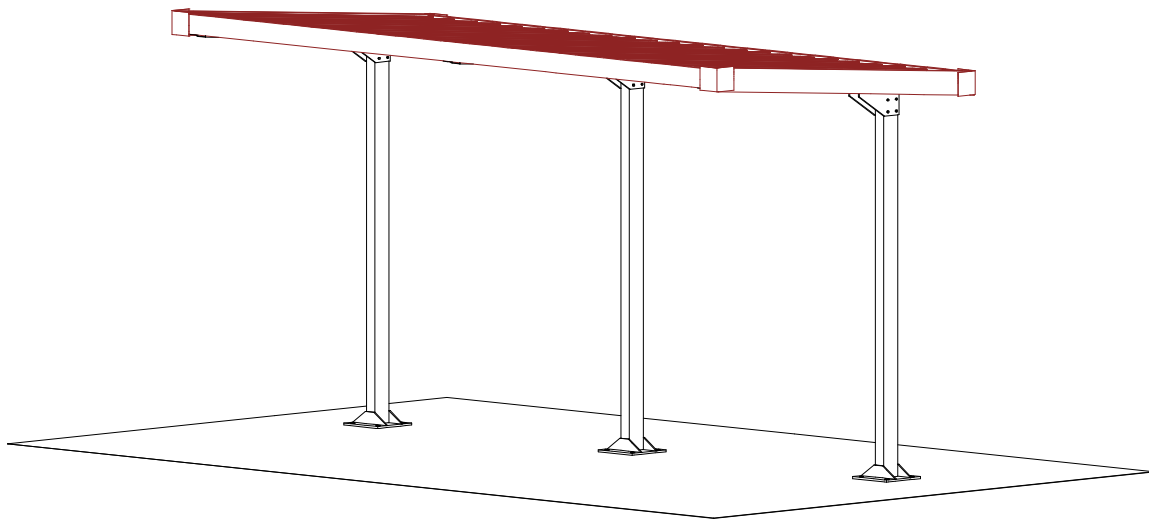


Fig. 5-2

Note: Touch up paint has been supplied with your shelter to cover minor scratches or bolts and screw heads to give your shelter the finished look. Use a template for touch up painting to achieve a good finish and minimize over spray.



CONGRATULATIONS! ASSEMBLY COMPLETED

Other Products Available from AMERICANA BUILDING PRODUCTS:

Fabric Window Awnings, Aluminum Patio Covers and Window Awnings, Glass Enclosures, Screen Enclosures, Park Shelters, Aluminum Railings & Columns, Retractable Fabric Awnings & More!

PURLIN ATTACHMENT DETAIL

On some larger models, additional purlins may be required. If the unit is supplied with purlins, attach the purlins to the purlin mounts on the rafters, and bolt together using the 1/2" bolts and nuts. These purlins, along with the gutter will aid in holding the unit in place and square. After the purlins have been attached, proceed with STEP 3 or STEP 4, depending on the post mounting option chosen.

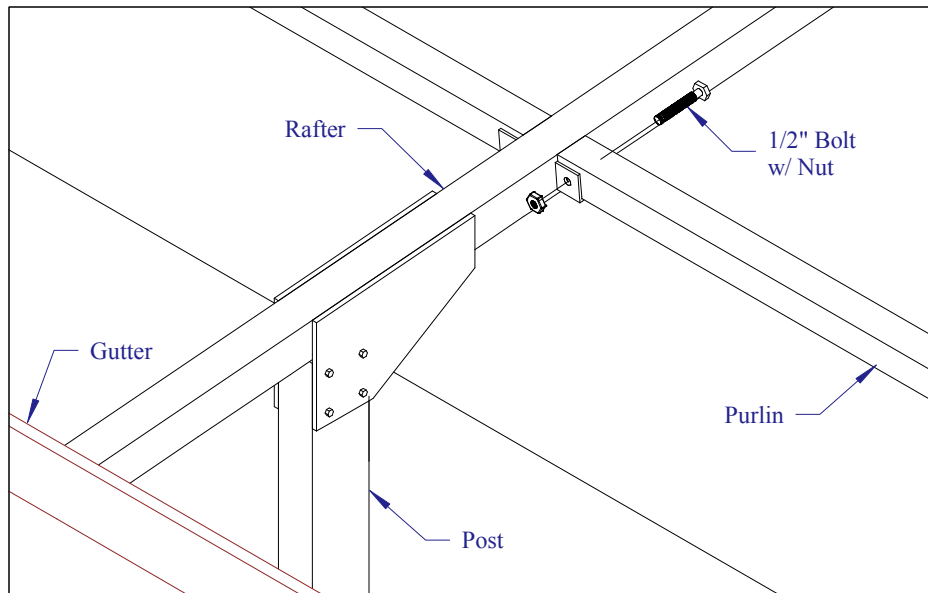
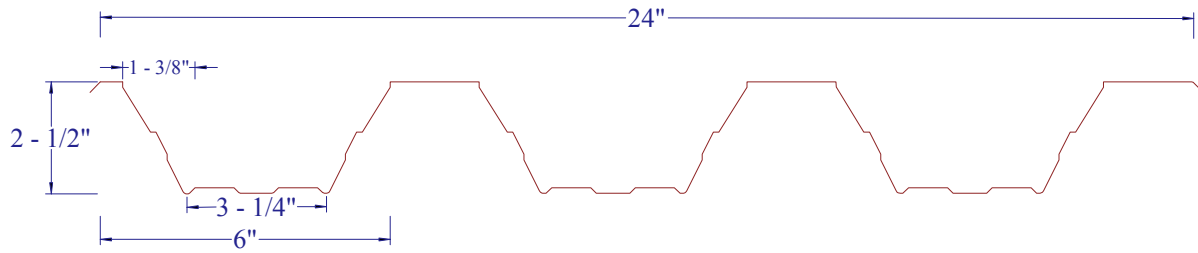
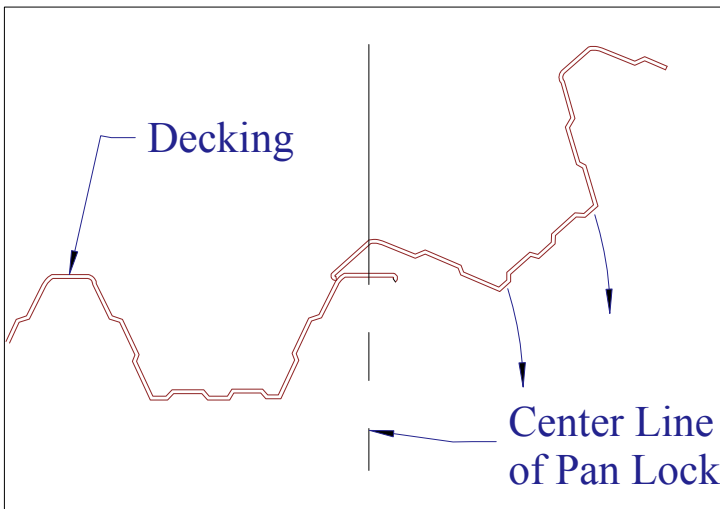


Fig. PAD-1

SHAWNEE SHELTER INSTALLATION INSTRUCTIONS

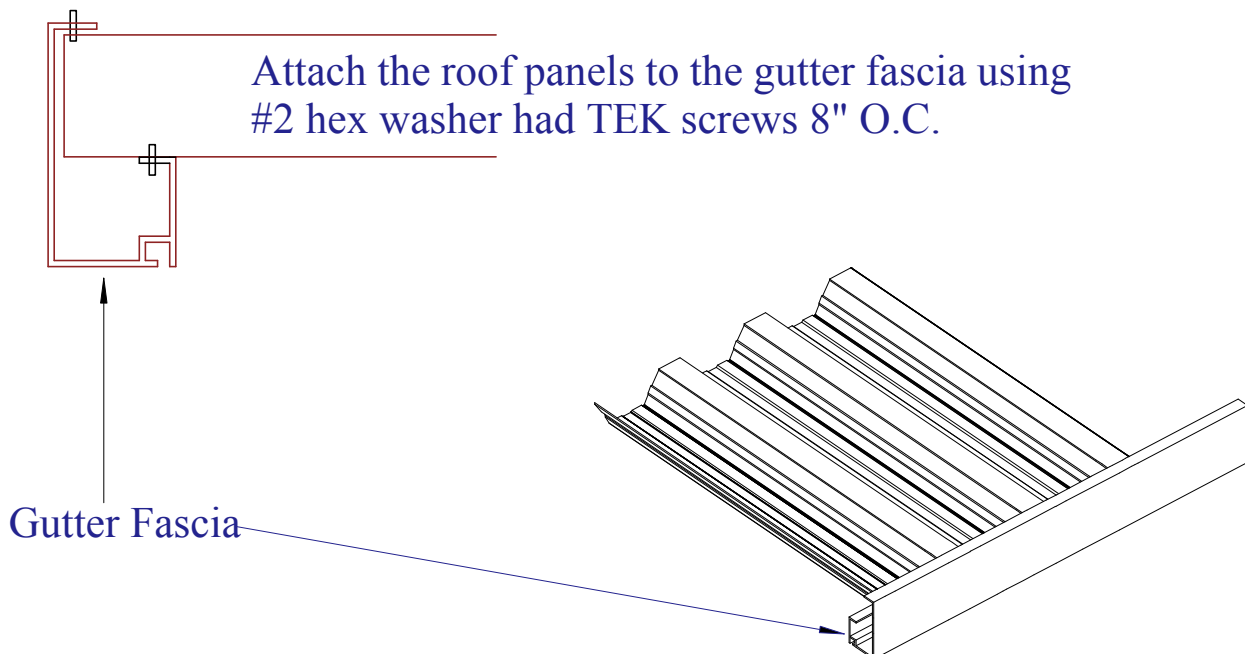


24" Roll Formed Roof Pan

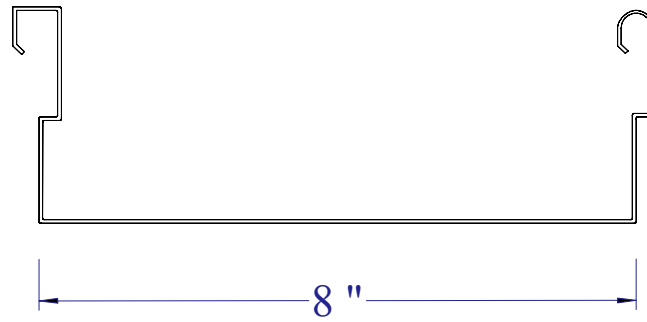


To lock the panels, rotate as shown in detail and lock together.
HINT: Holding a 2x4 under the lock, and lightly tapping on top with a rubber mallet will speed the joining of two pans.

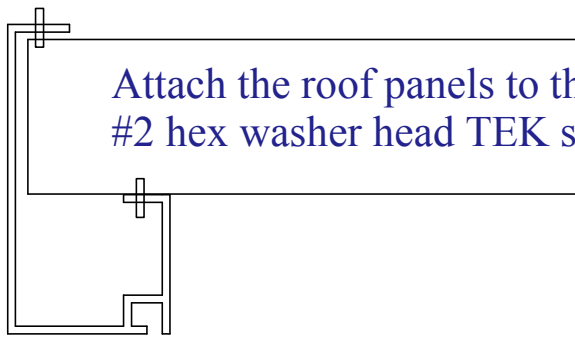
W Pan Locking Detail



SHAWNEE SHELTER INSTALLATION INSTRUCTIONS

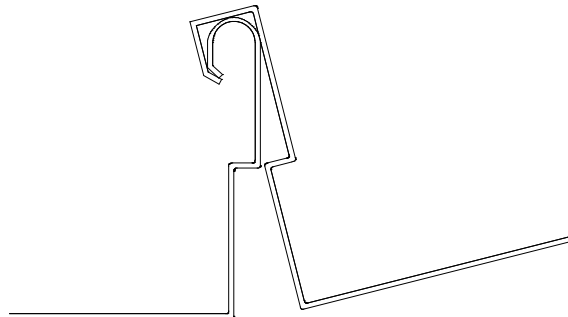
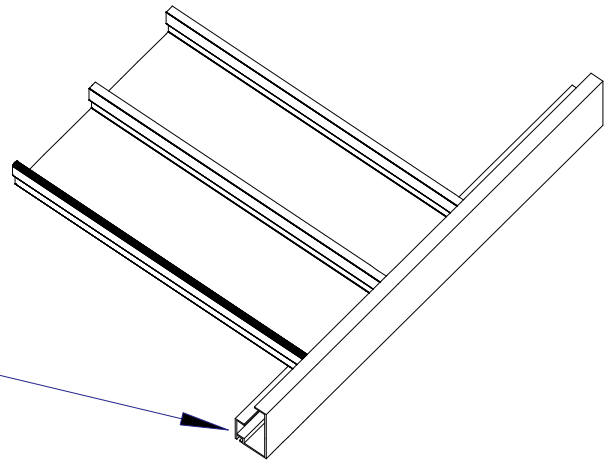


8" Flat Pan



Attach the roof panels to the gutter fascia using
#2 hex washer head TEK screws 8" O.C.

Gutter Fascia



To lock panels, rotate as shown in detail
and lock together.

Panel Locking Detail