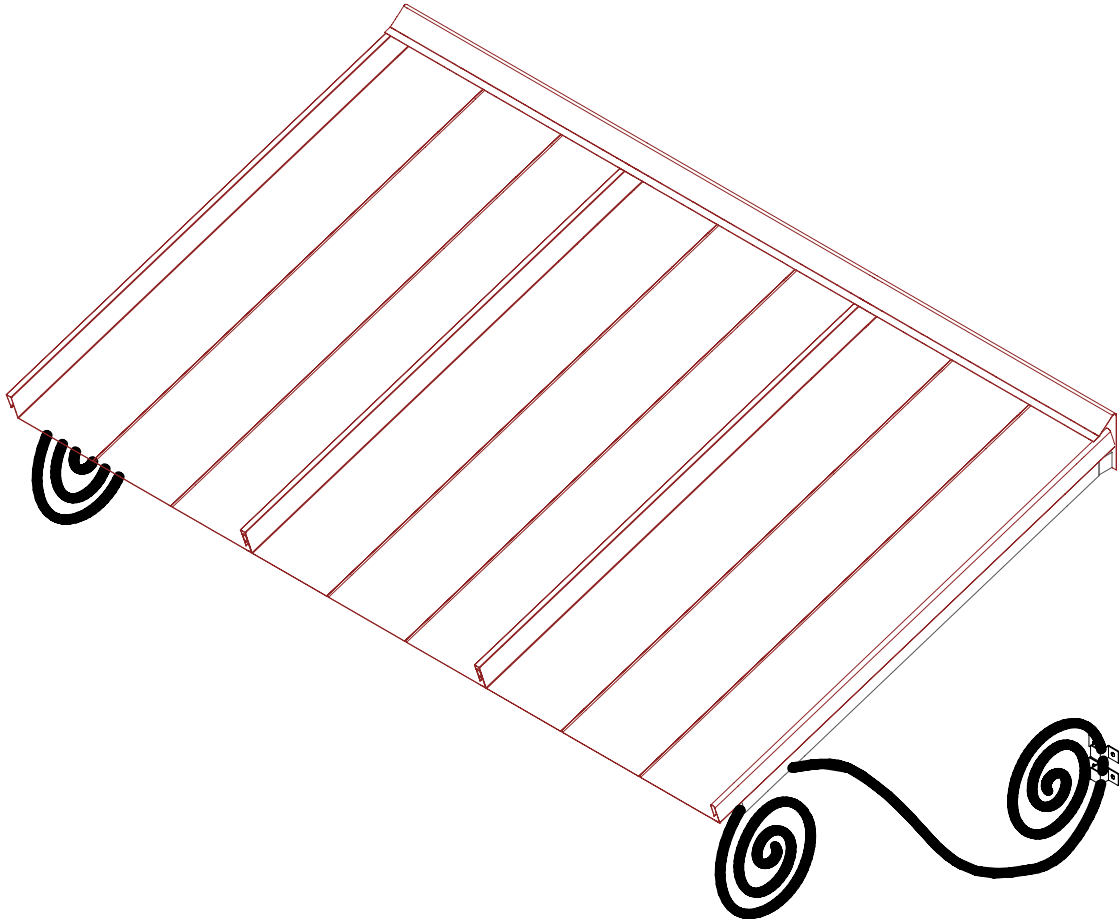


## ORLEANS AWNING ASSEMBLY INSTRUCTIONS



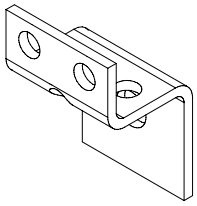
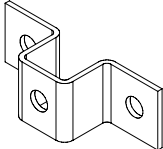
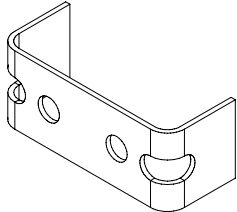
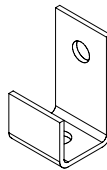
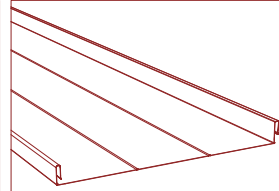
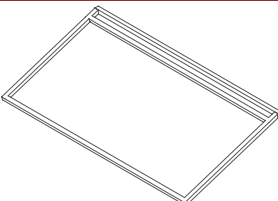
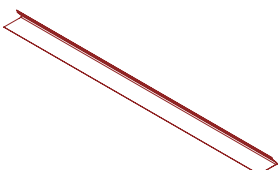
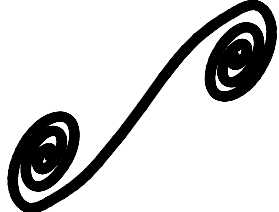
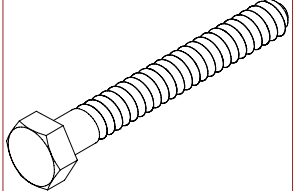
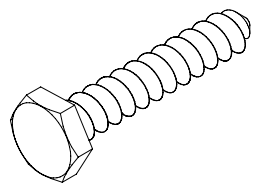
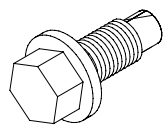
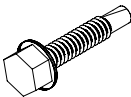
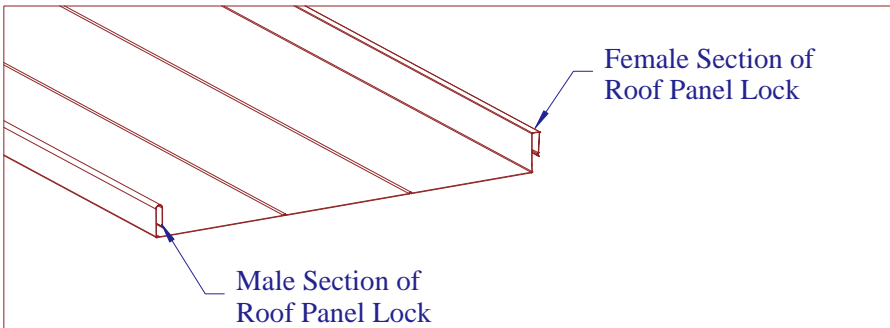
***Recommended Tools:***

Safety Glasses, Level, Pliers, 3/8" Electric Drill, Carpenters Square, Tape Measure, Metal Hack Saw, Silicone Caulking, Screw Drivers (Regular & Phillips)

***Before You Begin:***

1. Please read all instructions carefully. Check the Bill of Materials for any missing parts, and gather all necessary tools. The paint finish can be scratched so place materials on tarp or cardboard to prevent scratching.
2. Note that this awning kit is not designed to carry additional loads such as hanging plants, swings, people, trellis's, or other objects.

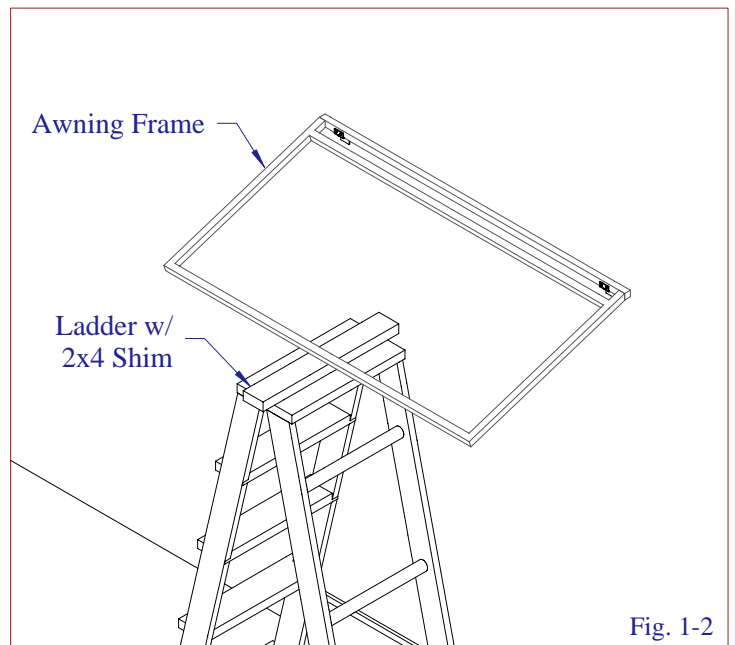
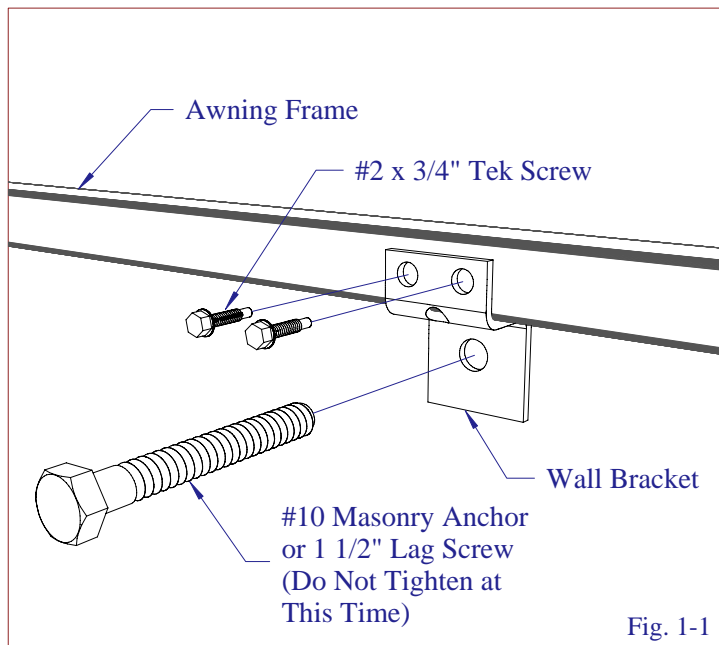
## PARTS LIST:

 <b>1. Frame Wall Bracket</b>	 <b>2. Scroll Mounting Bracket</b>	 <b>3. Joint Bracket</b>	 <b>4. J Bracket</b>	 <b>4. Roof Panel</b>
 <b>5. Awning Frame</b>	 <b>6. Flashing</b>	 <b>7. Scroll</b>	 <b>8. #10 Masonry Anchor</b>	 <b>9. #3 Masonry Anchor</b>
 <b>10. #3 x 1/2" Tek Screw</b>	 <b>11. #2 x 3/4" Tek Screw</b>	 <p style="text-align: right;">Female Section of Roof Panel Lock</p> <p style="text-align: left;">Male Section of Roof Panel Lock</p>		

## ROOF PANEL DETAIL

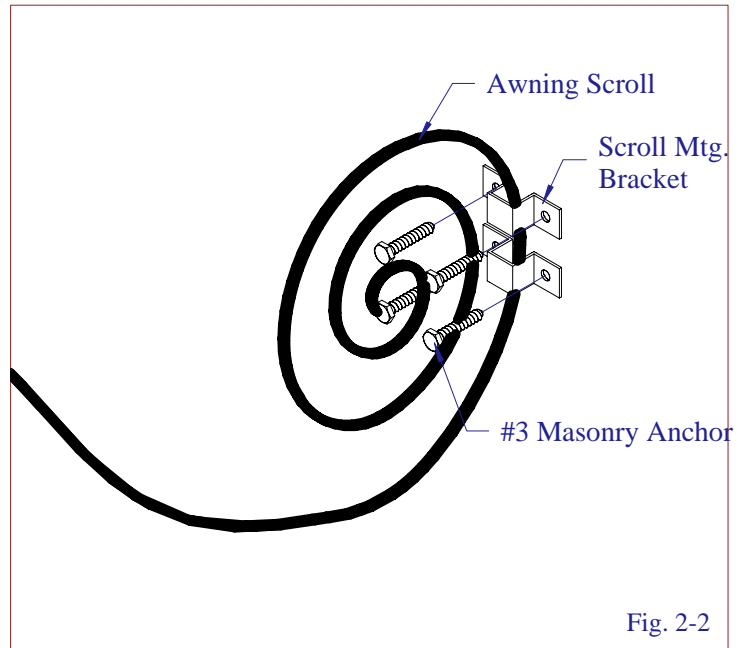
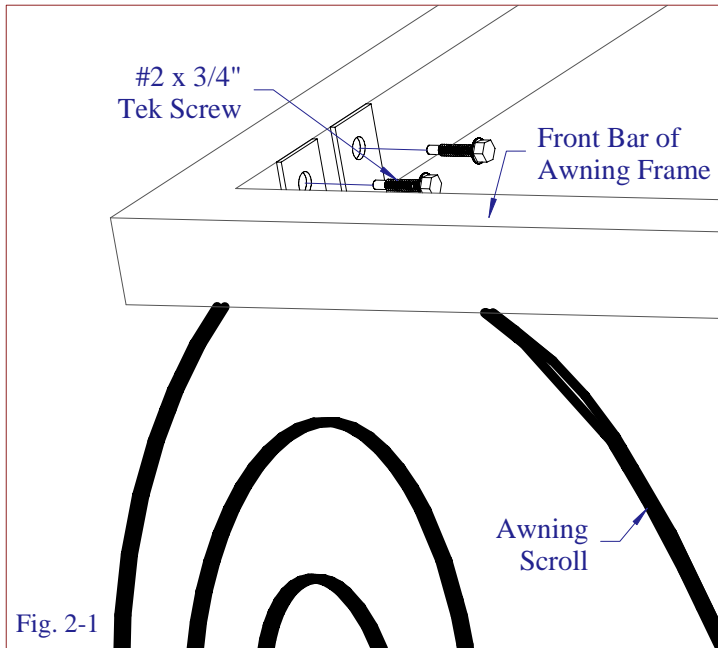
### STEP 1

Determine where you want the awning located and position the Wall Brackets, spaced evenly along the width of the awning. Attach Wall Brackets to the wall with a #10 Masonry Anchor, or other appropriate anchor depending on wall type (see Fig. 1-1). **NOTE: Do not attach awning to any non-structural surface. Once the Wall Brackets are in place and secured, simply hoist the frame onto the Wall Brackets and attach using 2 - #2 x 3/4" Tek screws. NOTE: Use a ladder with boards or 2x4's cut to the appropriate height to hold the awning until the awning scrolls are attached. DO NOT tighten anchor bolts at this time.**



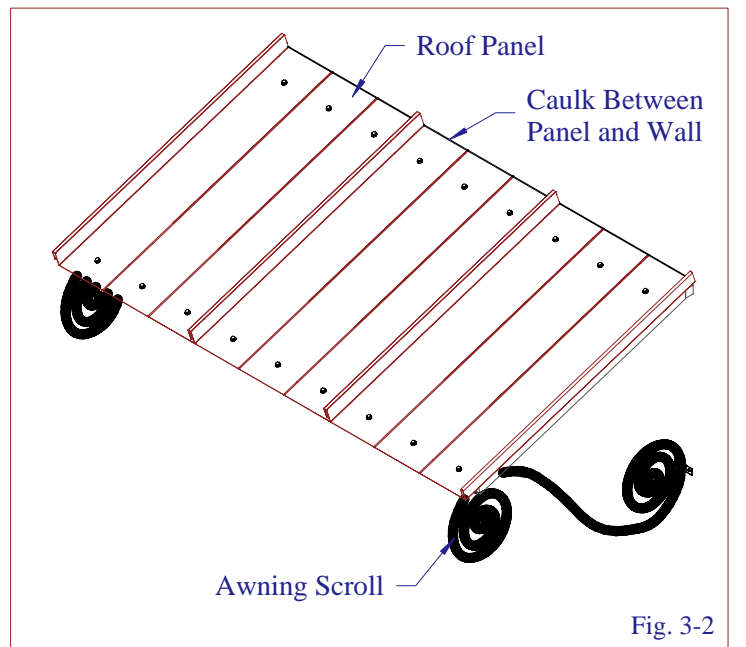
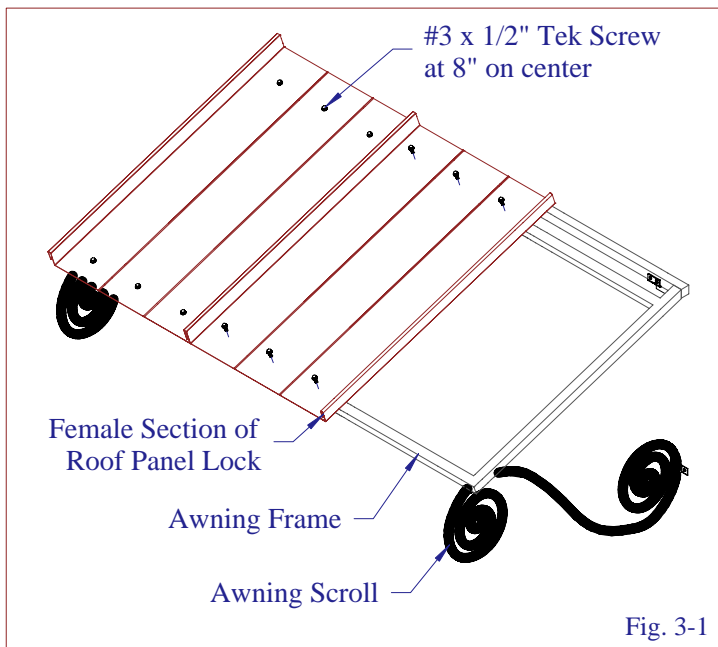
## STEP 2

Position a scroll so that it may be securely attached to the front bar of the awning frame and the wall. Attach a scroll to either side of the front bar using 2 - J brackets and 2 - #2 x 3/4" Tek screws (see Fig. 2-1). Follow the same procedure to attach the scroll to the wall using 2 - scroll mounting brackets and 4 - #3 Masonry Anchors into the wall (see Fig. 2-2).



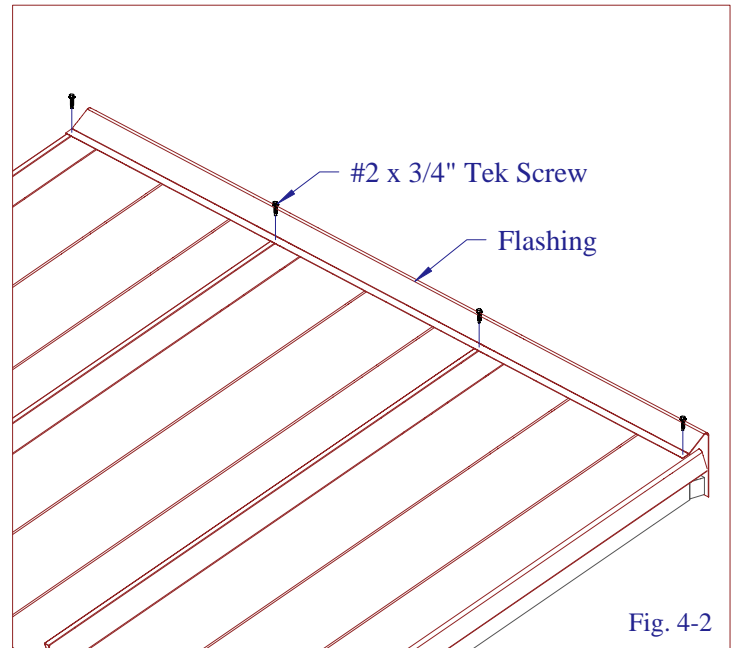
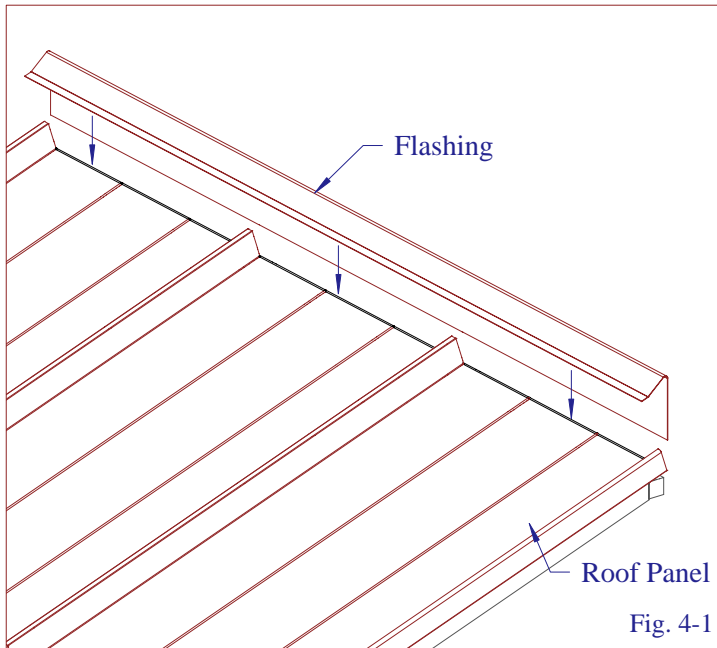
## STEP 3

Begin roof panel installation by positioning the first panel at either end of the frame with the male section of the panel lock to the outside of the frame. Roof panels should overhang the frame approximately 1". Attach the panel to the frame with #3 x 1/2" Tek screws at 8" on center (see Fig. 3-1). Snap the next roof panel into place and fasten with #3 x 1/2" Tek screws. Continue this procedure until all roof panels have been installed (see Fig. 3-2). Caulk the joint between each roof panel and the wall (see Fig. 3-2)



## STEP 4

Slide the flashing over the top of the roof panels and behind the awning, slipping between the frame and the wall if necessary (see Fig. 4-1). At this time, wall anchors may be tightened. Attach the flashing to the awning with a #2 x 3/4" Tek Screw into each locking joint of the roof panels (see Fig. 4-2).



## STEP 5

If the awning frame includes more than one piece, connect them by placing joint brackets on the underside and attaching with 2 - #2 x 3/4" Tek Screws per bracket (see Fig. 5-1). Be sure to space the appropriate number of brackets evenly; 3 brackets per joint is typical.

