

IMPORTANT -- SPECIAL INSTALLATION INSTRUCTIONS

**** READ ALL INSTALLATION INSTRUCTIONS BEFORE STARTING!****

If at any point, you have questions, call 1-800-851-0865...(The manufacturer will not be responsible for delays or lost installation time, due to failure to follow all instructions.)

ATTENTION INSTALLERS:

Metal shavings left on roof or other surfaces will quickly rust and stain the surface finish. Cutting, drilling and installing roof panels, fasteners and other components will cause metal shavings. These shavings **MUST** be carefully removed at the end of each day by either sweeping or brushing the installed roof and other surfaces.

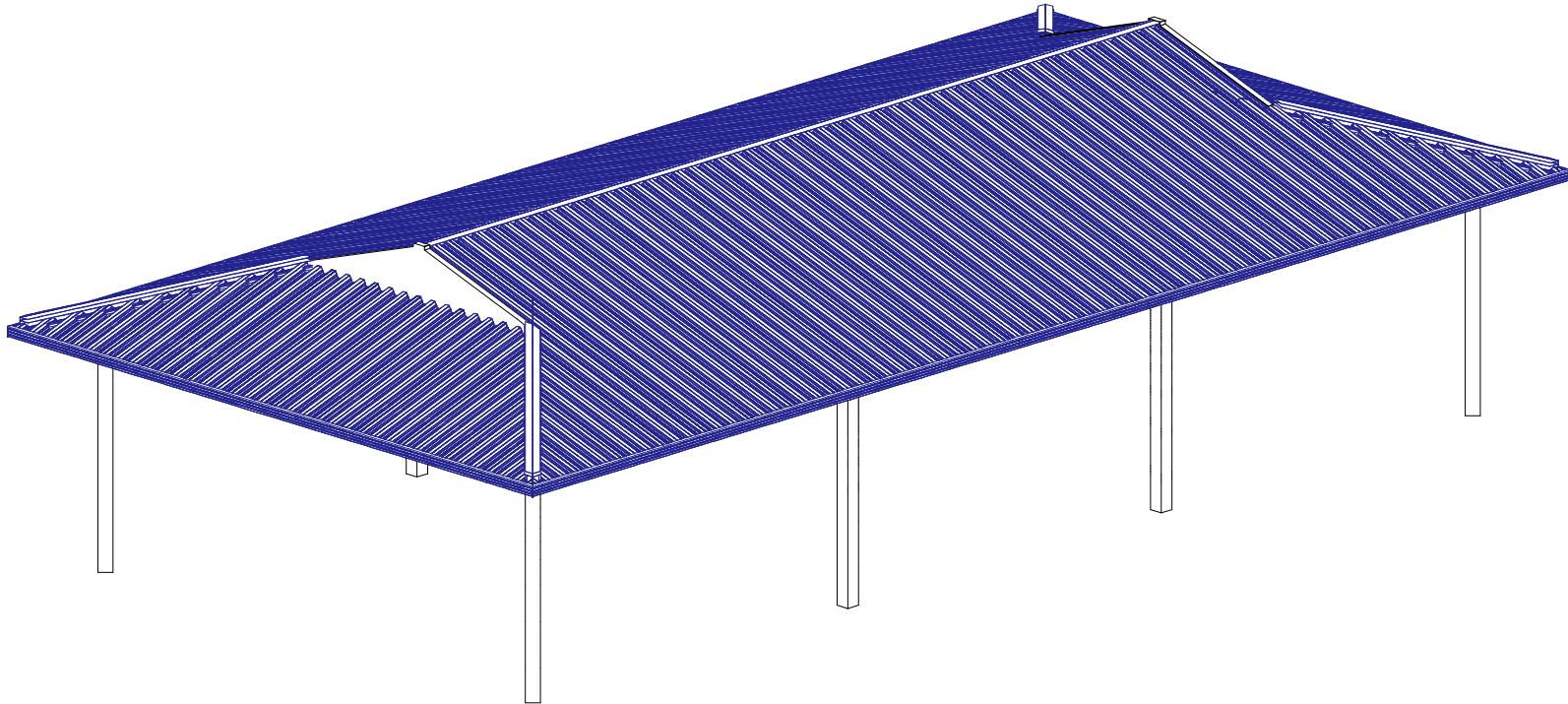
1. It is **EXTREMELY IMPORTANT** that, before setting any anchor bolts, the current footing layout is obtained from the manufacturer and the bolts are accurately set.
 - 1A **Anchor Bolts** are **not** included and must be furnished at time of installation. Consult local building codes and drawings if ordered and furnished.
 - 1B We recommend using **High Quality Stainless Steel Anchor Bolts** in areas with a corrosive climate. Check local building codes.
2. If the shelter is set on a concrete slab (or footings), the slab must be exactly level so that all the posts will be at the exact same elevation when mounted on the slab and anchored down.
3. If the shelter is set on an unlevel surface, it will bolt together if assembled with all bolts loose. When the bolts are tightened, some of the steel joints will have gaps and the unit may not be exactly plumb; however, the strength of the structure will not be affected.
4. In areas with frequent rain, the slab or footing elevation should be at least 1” above the elevation of the surrounding landscaping to prevent water from ponding around the base plate and anchor bolts.
5. In most cases, the anchor bolt nuts should not be tightened completely, until the frame is assembled and squared, and the roof panels have been installed.
6. In all cases, the center to center of roof panel lock spacing, the 24” c/c for the 3-V roof panels, the 10” c/c for the single V panels, and the 18” OR 8” c/c for the flat panels must be maintained as the panels are installed. This spacing must be maintained across both the top and bottom of the panels. **IF THIS IS NOT DONE**, the problems may not show-up until towards the end of the panel installation, when they will not fit properly and appear to be too long or cut wrong. If this happens, go back and check the spacing and re-set if necessary.

7. As is common in the erection of all types of metal structures, due to job site conditions - unlevel slabs, footings, etc., slight modifications such as reaming of some holes or even drilling a new hole or two, may become necessary and must be done on the job site.
8. Installing Tek screws at a high rpm may cause the Tek screws to become damaged or break during installation. If damage or breakage occurs, lower the speed of the drill.
9. Predrilling holes and removing metal shavings and debris from between components before fastening together will help prevent any rusting or staining of surrounding surfaces.
10. After assembly of the gutter is complete, be sure to drill holes in the gutter at the desired locations and install scuppers or downspouts.
11. Touch up paint has been supplied with your shelter to cover minor scratches or bolt and screw heads to give your shelter that finished look. Use a template for touch up painting to achieve a good finish and minimize over spray.



Contact us @ (800)851-0865

NAVAJO SHELTER w/ DUTCH HIP ROOF ASSEMBLY & INSTALLATION INSTRUCTIONS



Recommended Tools: Safety Glasses, Tape Measure, Carpenters Level, Framing Square, Hex Head Nut Drivers, Elec. Drill w/ Bits, String, Mallet

- Before You Begin:***
- 1.) Please read all instructions and the General Notes Page carefully. Check the Bill of Materials for any missing parts, and gather necessary tools. To prevent scratching of painted materials, place on a tarp, paper, or protective material.
 - 2.) For ease of assembly and installation, familiarize yourself with component parts.

ATTENTION
INSTALLERS:

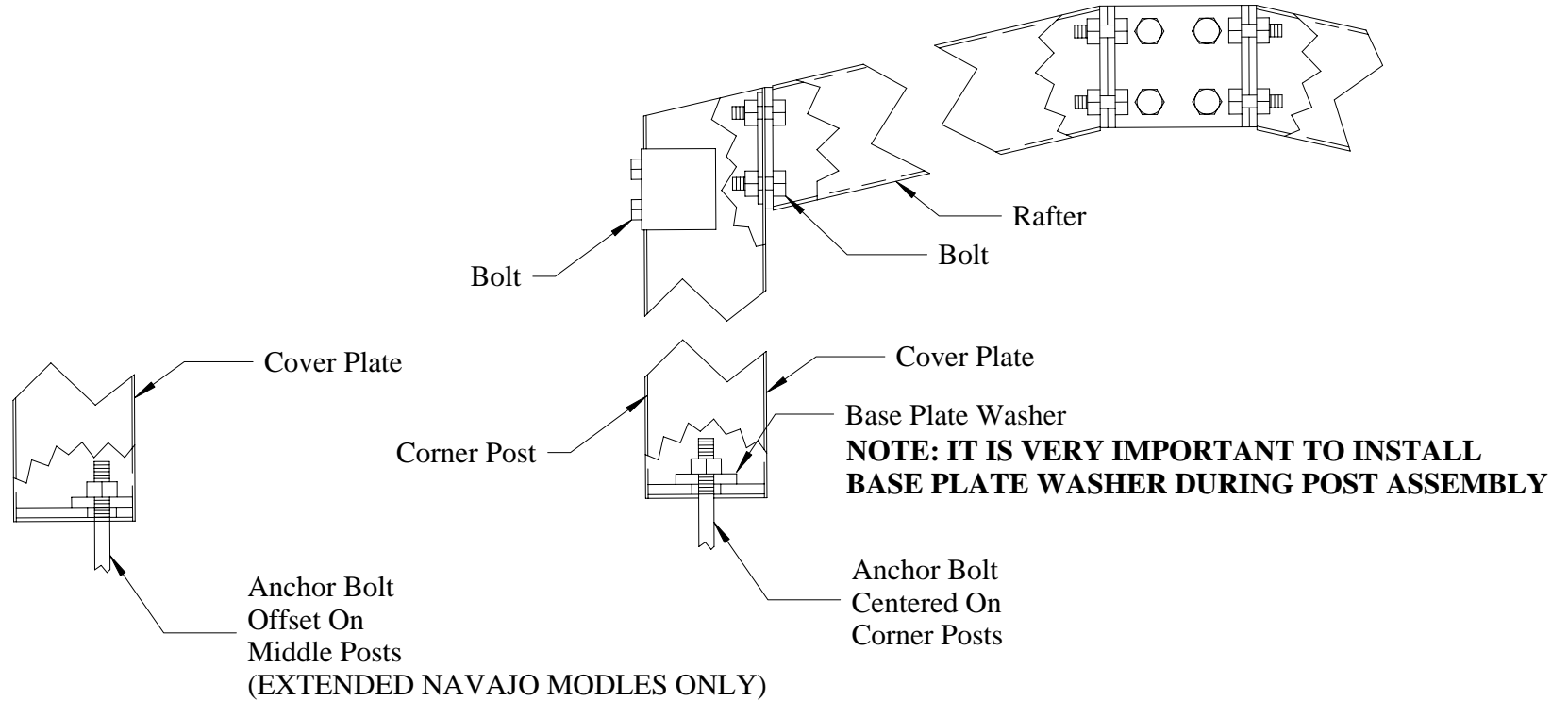
Metal shavings left on roof and other surfaces will quickly rust and stain the surface finish.

Cutting, drilling and installing roof panels, fasteners and other components will cause metal shavings. These shavings **MUST** be carefully removed at the end of each day either by sweeping or brushing the installed roof and other surfaces.



Contact us @ (800)851-0865

NAVAJO SHELTER ASSEMBLY & INSTALLATION INSTRUCTIONS

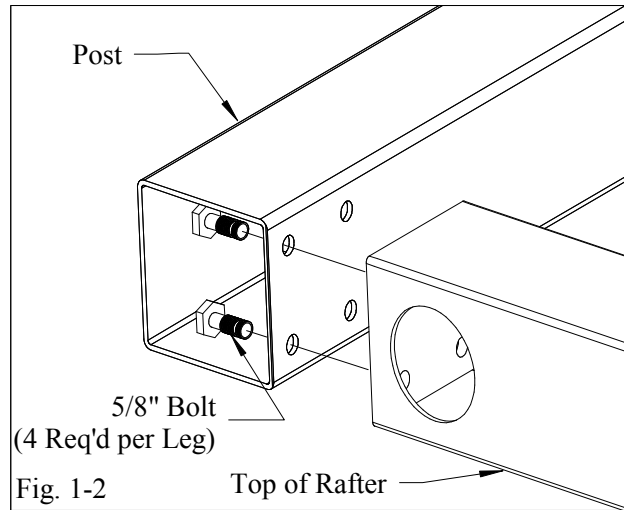
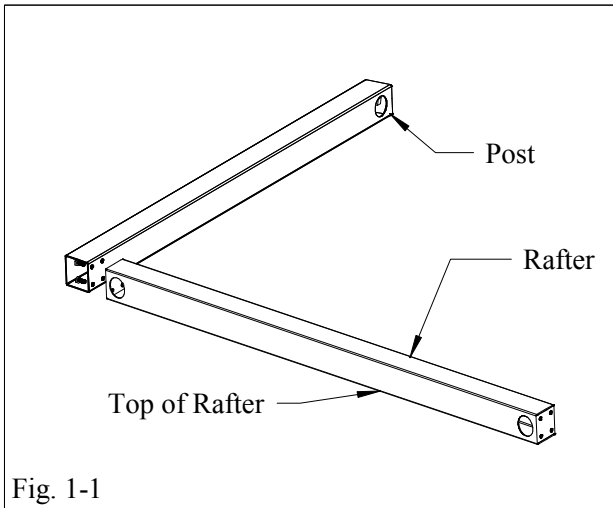


Typical Navajo Tubular Post To Rafter Assembly
And Anchor Bolt Placement Detail

STEP 1

Layout the posts and rafters (see Fig. 1-1), and then bolt them together with the 4" access holes in rafters up (see Fig. 1-2). Do Not Tighten Bolts Completely At This Time.

NOTE: The 4" access holes in rafter goes on top and the 4" access hole in the bottom of the post faces inward.



INSTALLATION NOTES

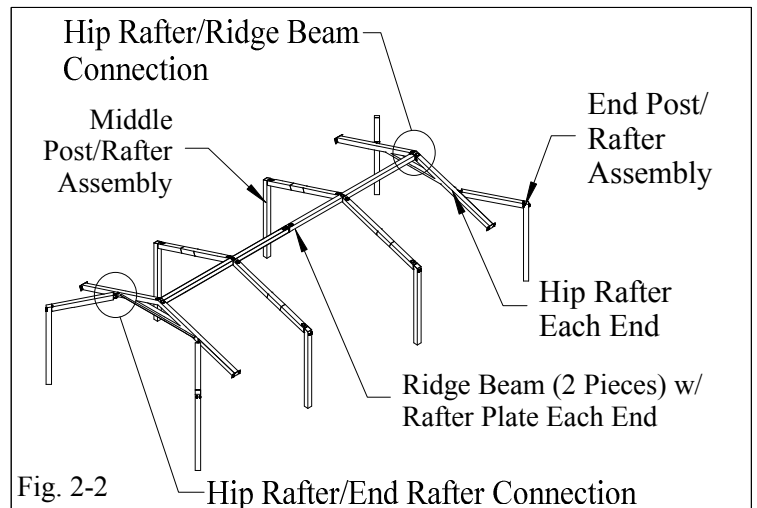
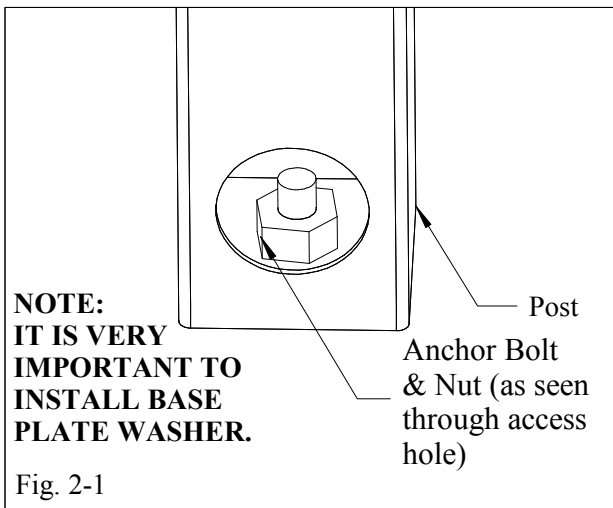
It is EXTREMELY IMPORTANT that, before setting any anchor bolts, the current footing layout is obtained from the manufacturer and the bolts are accurately set.

Anchor bolts are NOT included and must be furnished at time of installation. Consult local building codes and drawings.

STEP 2

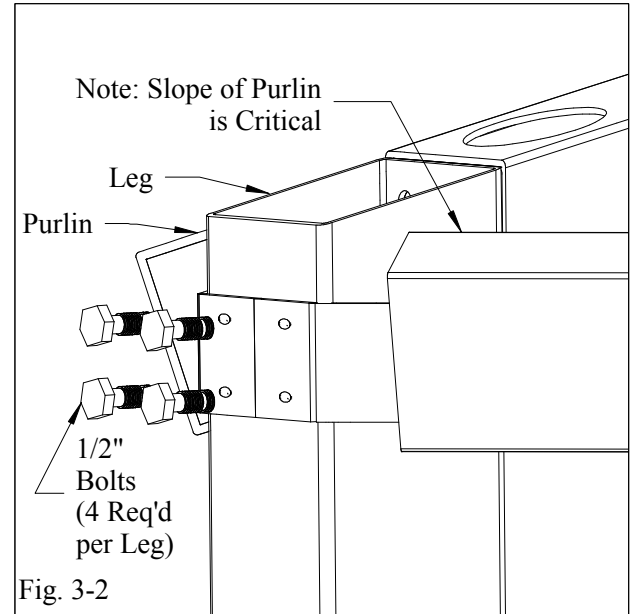
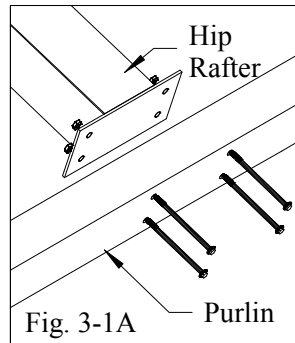
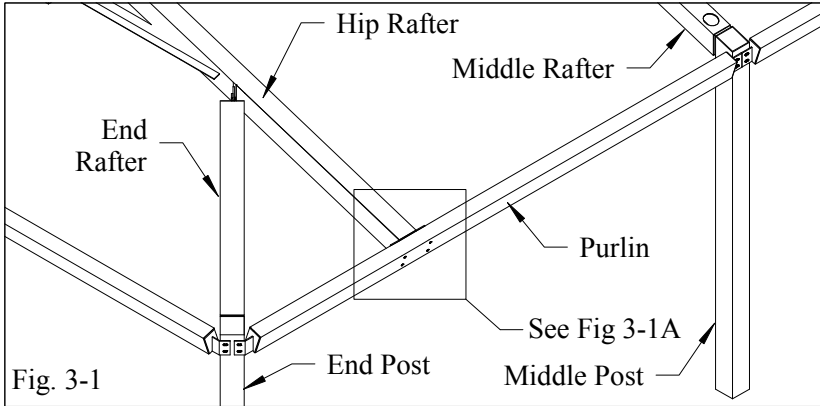
Install post/rafter assembly onto anchor bolts. Do Not Completely Tighten Anchor Bolts At This Time, (see Fig.2-1). Bolt together the two sections of the ridge beam and raise into place. Make the ridge beam /rafter connections (finger tight only). Also, make the hip rafter/end rafter connections, as well as the hip rafter/ridge beam connections at this time.

NOTE: Install ridge beam up with the access holes on top. Do Not Tighten Bolts At This Time.



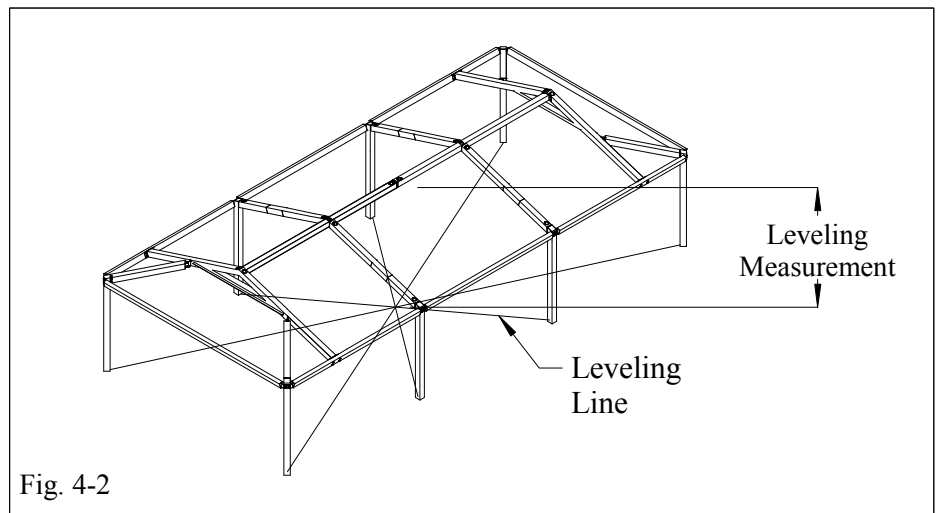
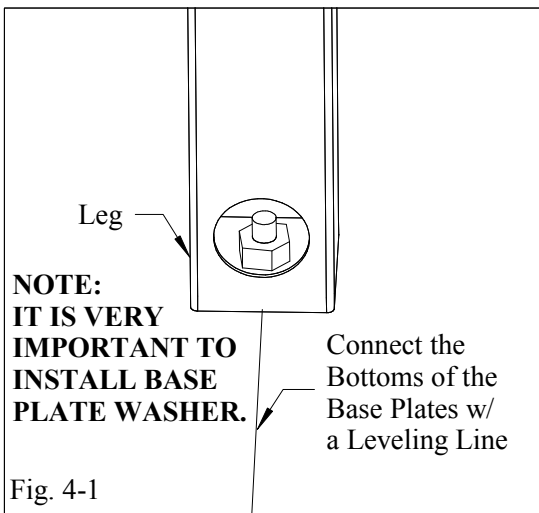
STEP 3

After ridge beam/rafter assemblies have been connected (finger tight only), attach purlins to posts (see Fig. 3-2). Also, at this time, attach the hip rafter to the purlin using the 1/2" x 5" thru bolts, nuts and washers (see Fig. 3-1A). (NOTE: Install purlins with the top angled down and out, following the slope of the rafters. This is necessary so the roof panels will lay flat on top of these purlins for installation.)
Do Not Tighten Bolts Completely At This Time.



STEP 4

Next, after referring to the enclosed plans, set the height from the bottom of the ridge beam to a line level with the bottom of the post plates (see Fig. 4-1,2). (NOTE: This is extremely important in being able to square the unit, plumb the post, make connections, prevent gaps, and install all components (a fork lift, basement screw floor jack, or lumber and shim support may be used to set tie block height. Adjusting the height of the ridge beam up or down during the installation can help in making connections of various components; however be certain to re-set to correct height afterwards).



STEP 5

Set the ridge cap for the ridge beam in place and adjust for best fit, then attach to the ridge beam using #5 Tek screws at 12" on center on both sides of the ridge beam. Next, install the two end panels using #5 Tek screws at 8" on center. Once the end panels are installed you can now install the ridge caps on the corner rafters. Attach these ridge caps to the corner rafters using #5 Tek screws at 12" on center on both sides of the rafters (see Fig. 5-1 & 5-2).

NOTE: On occasion, the ridge cap must be made in two pieces. Install the shortest piece at the top and work down.

(CAUTION: Installing Tek screws at a high rpm may cause Tek screws to become damaged or break during installation. If this occurs, simply slow the drill speed down.)

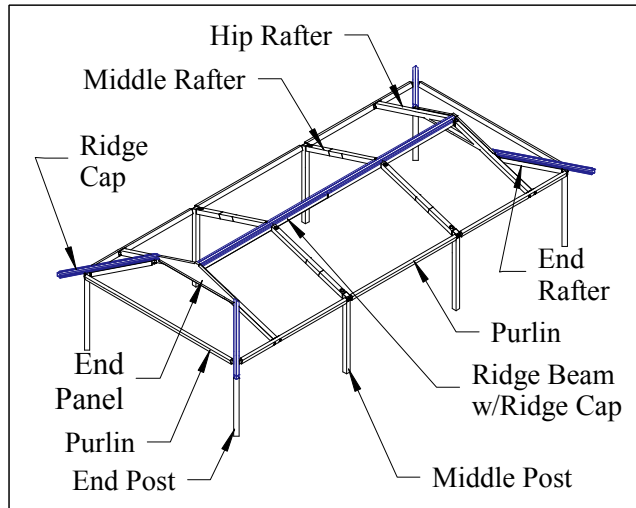


Fig. 5-1

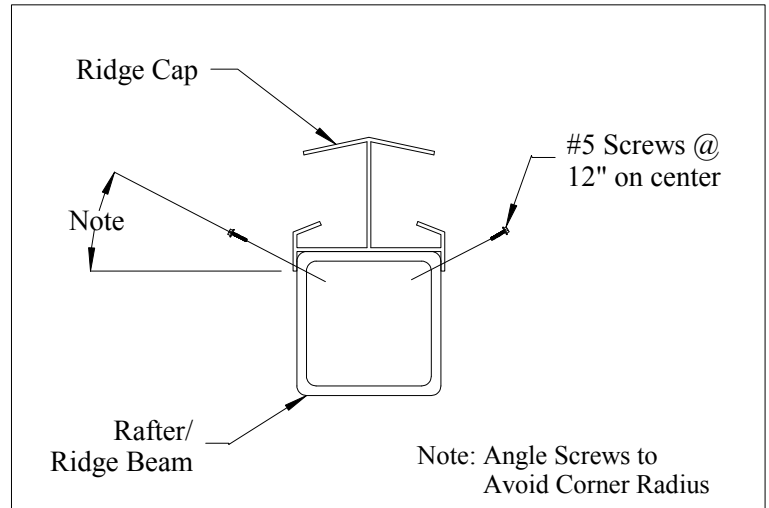


Fig. 5-2

STEP 6

Begin by snapping together the two panels that make the corner where the angle cut and the square cut panels meet. Set the panels on the unit and square the bottom edges of the panels with the purlin. Slide the panels into the ridge cap to get the best fit. Be sure to check the panel overhang at the purlin. Once the panels are in place, secure the top edges of the panels to the ridge cap with #2 Tek screws at 8" on center, Anchor the bottom edges of the panels to the purlin using #5 Tek screws at 8" on center. Continue this procedure until roof installation is complete.

HINT: Holding a 2x4 under the panel lock, and lightly tapping on top with a rubber mallet will speed the joining of 2 pans.

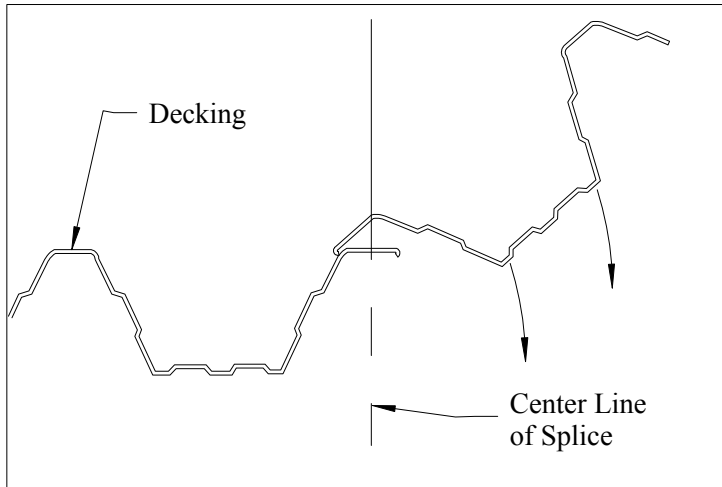


Fig. 6-1

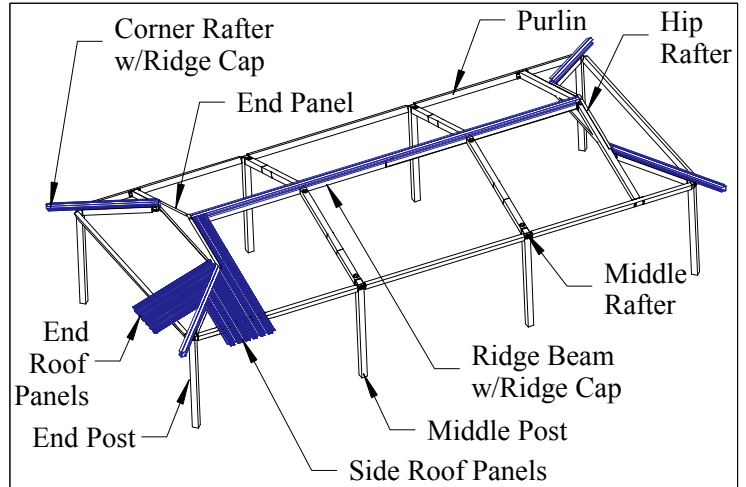


Fig. 6-2

INSTALLATION NOTES:

The roof panels for the square areas of the sides are 2" shorter than the longest angle cut panel. This is necessary to allow for the angle cut pans to fit properly to the slope of the ridge cap on the corner rafters.

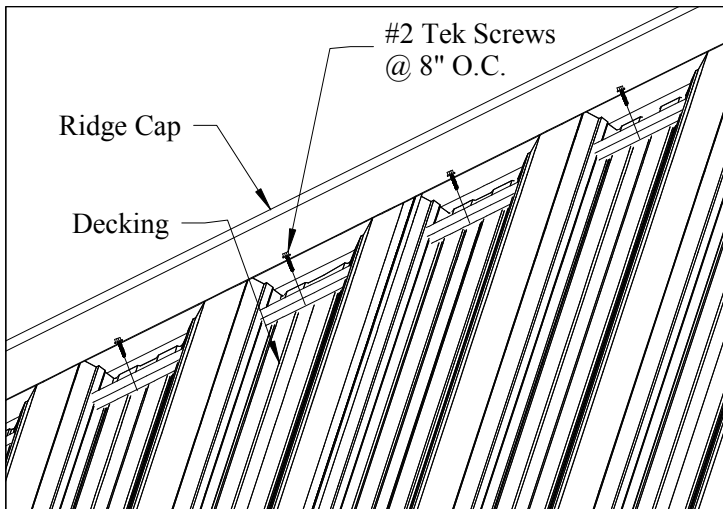


Fig. 6-3

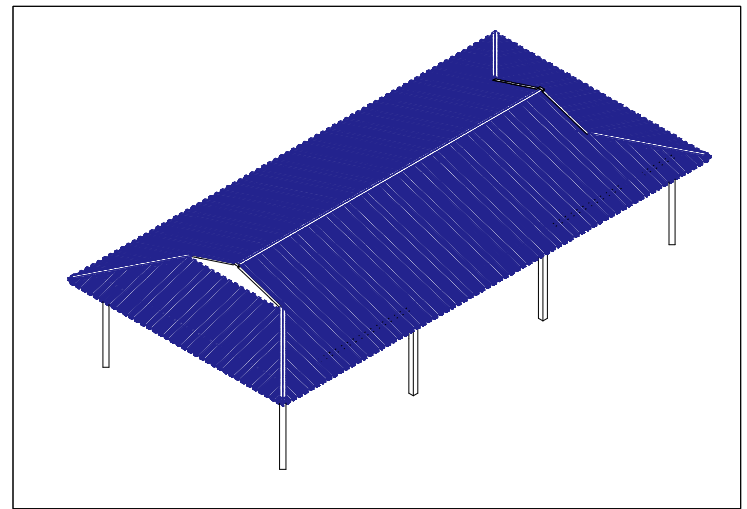


Fig. 6-4

NOTE: After the roof has been installed, it is time to attach the gutter. Proceed to Step 7.

STEP 7

Install gutter fascia on outside edge of panels using #2 Tek screws @ 8" O.C., gutters at the corners butt back to back (see Fig 7-1). Also install corner assembly at each corner using #2 Tek screws (see Fig 7-2).
(NOTE: Before installing corner plates, it is helpful to lap the locks of the last roof pans from from both sections and secure with Tek screw.)

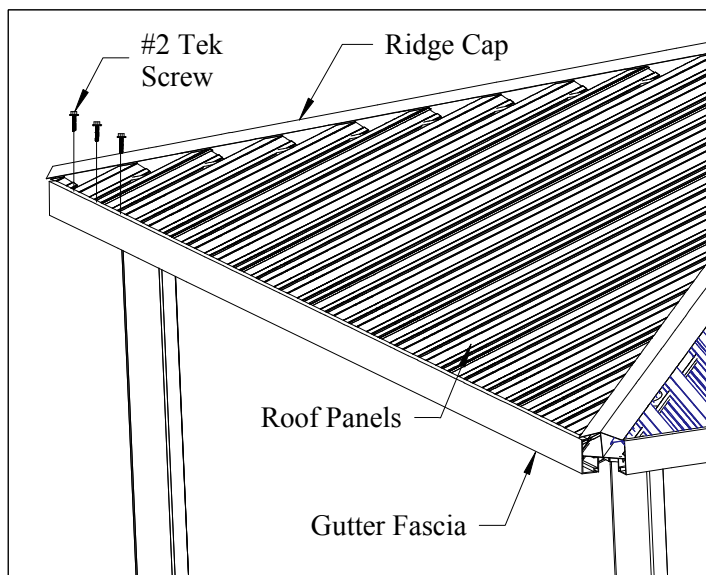


Fig. 7-1

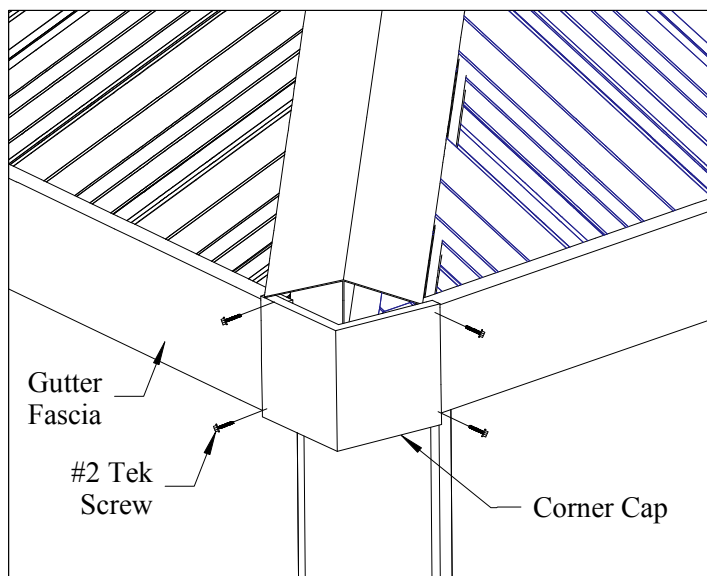
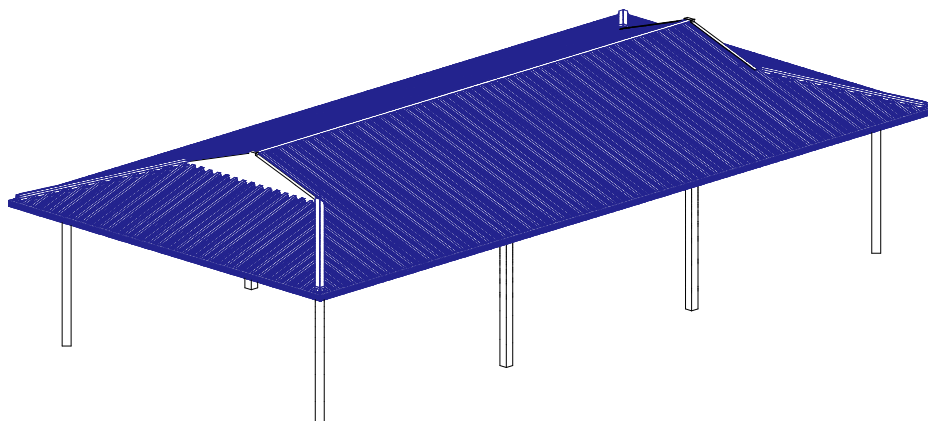


Fig. 7-2

Note: Touch up paint has been supplied with your shelter to cover minor scratches or bolts and screw heads to give your shelter the finished look. Use a template for touch up painting to achieve a good finish and minimize over spray.



CONGRATULATIONS! ASSEMBLY COMPLETED

Other Products Available from AMERICANA BUILDING PRODUCTS:

Fabric Window Awnings, Aluminum Patio Covers and Window Awnings, Glass Enclosures, Screen Enclosures, Park Shelters, Aluminum Railings & Columns, Retractable Fabric Awnings & More!