

## **IMPORTANT -- SPECIAL INSTALLATION INSTRUCTIONS**

**\*\* READ ALL INSTALLATION INSTRUCTIONS BEFORE STARTING!\*\***

**If at any point, you have questions, call 1-800-851-0865...(The manufacturer will not be responsible for delays or lost installation time, due to failure to follow all instructions.)**

### **ATTENTION INSTALLERS:**

Metal shavings left on roof or other surfaces will quickly rust and stain the surface finish. Cutting, drilling and installing roof panels, fasteners and other components will cause metal shavings. These shavings **MUST** be carefully removed at the end of each day by either sweeping or brushing the installed roof and other surfaces.

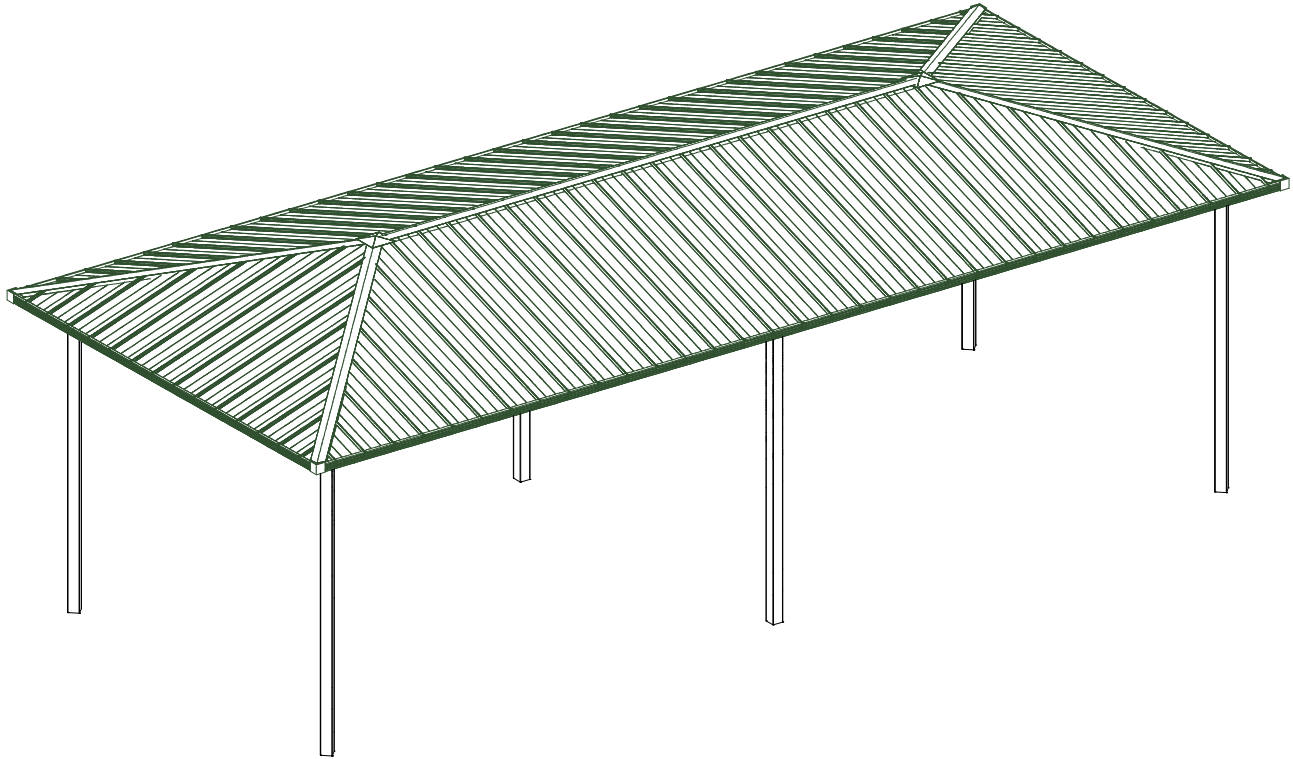
1. It is **EXTREMELY IMPORTANT** that, before setting any anchor bolts, the current footing layout is obtained from the manufacturer and the bolts are accurately set.
  - 1A **Anchor Bolts** are **not** included and must be furnished at time of installation. Consult local building codes and drawings if ordered and furnished.
  - 1B We recommend using **High Quality Stainless Steel Anchor Bolts** in areas with a corrosive climate. Check local building codes.
2. If the shelter is set on a concrete slab (or footings), the slab must be exactly level so that all the posts will be at the exact same elevation when mounted on the slab and anchored down.
3. If the shelter is set on an unlevel surface, it will bolt together if assembled with all bolts loose. When the bolts are tightened, some of the steel joints will have gaps and the unit may not be exactly plumb; however, the strength of the structure will not be affected.
4. In areas with frequent rain, the slab or footing elevation should be at least 1” above the elevation of the surrounding landscaping to prevent water from ponding around the base plate and anchor bolts.
5. In most cases, the anchor bolt nuts should not be tightened completely, until the frame is assembled and squared, and the roof panels have been installed.
6. In all cases, the center to center of roof panel lock spacing, the 24” c/c for the 3-V roof panels, the 10” c/c for the single V panels, and the 18” OR 8” c/c for the flat panels must be maintained as the panels are installed. This spacing must be maintained across both the top and bottom of the panels. **IF THIS IS NOT DONE**, the problems may not show-up until towards the end of the panel installation, when they will not fit properly and appear to be too long or cut wrong. If this happens, go back and check the spacing and re-set if necessary.

7. As is common in the erection of all types of metal structures, due to job site conditions - unlevel slabs, footings, etc., slight modifications such as reaming of some holes or even drilling a new hole or two, may become necessary and must be done on the job site.
8. Installing Tek screws at a high rpm may cause the Tek screws to become damaged or break during installation. If damage or breakage occurs, lower the speed of the drill.
9. Predrilling holes and removing metal shavings and debris from between components before fastening together will help prevent any rusting or staining of surrounding surfaces.
10. After assembly of the gutter is complete, be sure to drill holes in the gutter at the desired locations and install scuppers or downspouts.
11. Touch up paint has been supplied with your shelter to cover minor scratches or bolt and screw heads to give your shelter that finished look. Use a template for touch up painting to achieve a good finish and minimize over spray.

NAVAJO SHELTER  
INSTALLATION & ASSEMBLY  
INSTRUCTIONS

Contact us @ (800)851-0865

18" FLAT PAN ROOF  
w/ MOUNTING CLIPS  
ON 2" X 6" PINE SUB-DECK



**Recommended Tools:** Safety Glasses, Tape Measure, Carpenters Level, Framing Square, Hex Head Nut Drivers, Chalk Line, Elec. Drill w/ Bits (Masonry Drill, Bits. & Anchors maybe required if securing to Stone, Concrete, or any other masonry unit.)

**Before You Begin:** 1.) Please read all instructions carefully. Check the Bill of Materials for any missing parts, and gather necessary tools. To prevent scratching of painted materials, place on a tarp, paper, or protective material.

**ATTENTION  
INSTALLERS:**

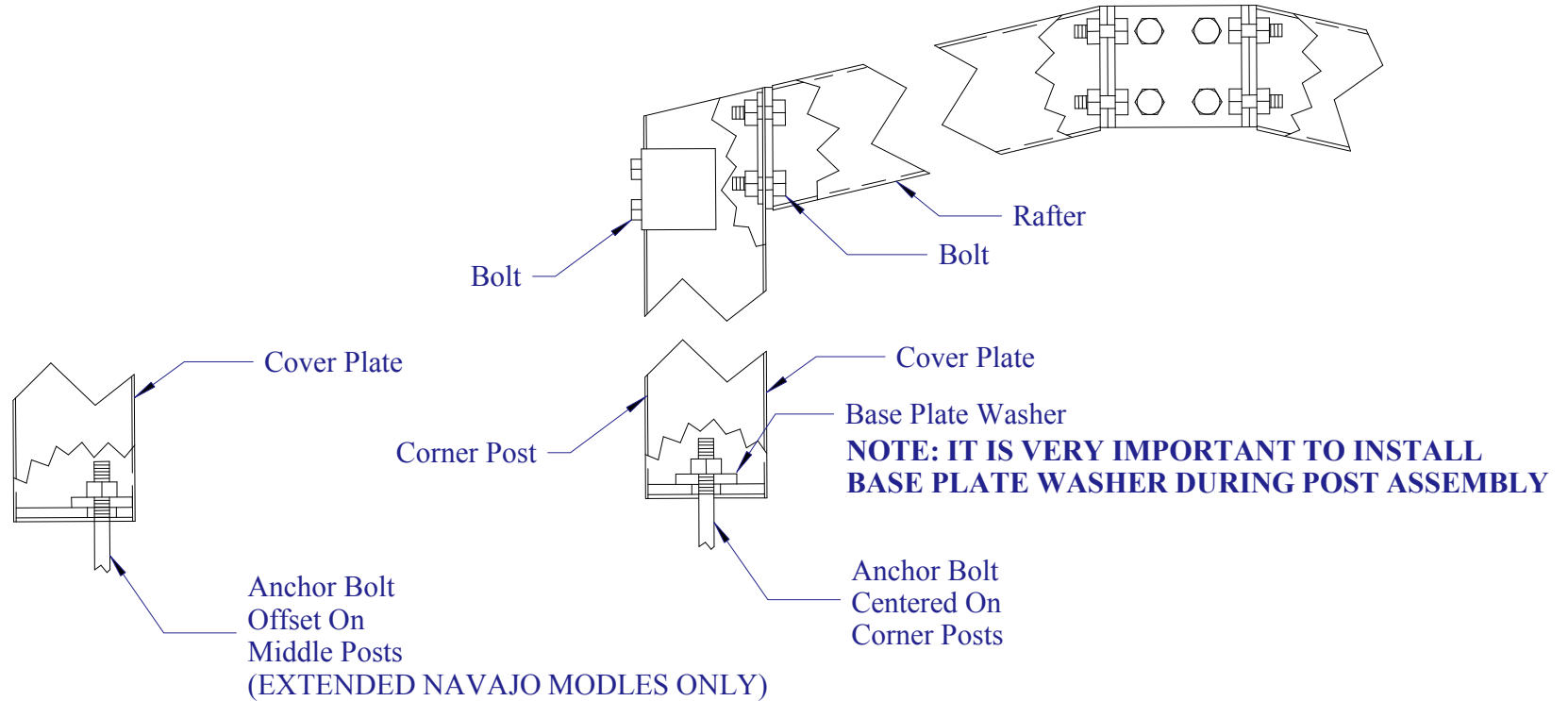
Metal shavings left on roof and other surfaces will quickly rust and stain the surface finish.

Cutting, drilling and installing roof panels, fasteners and other components will cause metal shavings. These shavings **MUST** be carefully removed at the end of each day by either sweeping or brushing the installed roof and other surfaces.



Contact us @ (800)851-0865

# NAVAJO SHELTER ASSEMBLY & INSTALLATION INSTRUCTIONS



Typical Navajo Tubular Post To Rafter Assembly  
And Anchor Bolt Placement Detail

## STEP 1

Layout the legs and rafters (see Fig. 1-1), and then bolt them together with the 4" access holes in rafters up (see Fig. 1-2). Do Not Tighten Bolts Completely At This Time.

**NOTE: Access holes in rafter goes on top.**

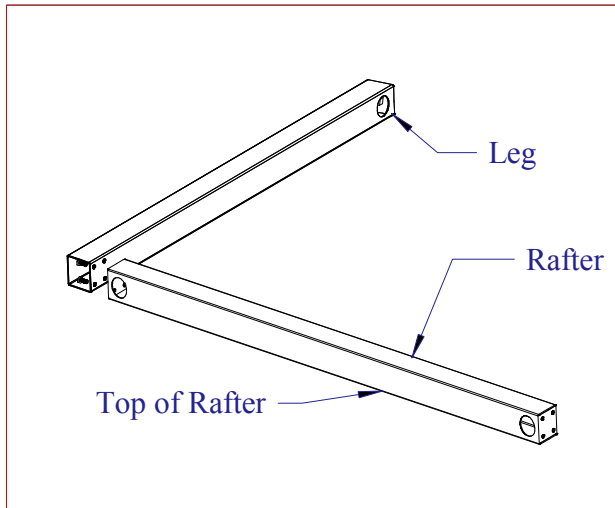


Fig. 1-1

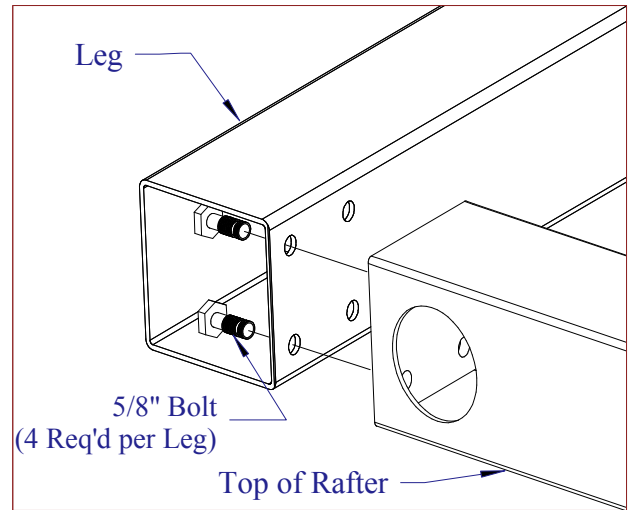


Fig. 1-2

## INSTALLATION NOTES

It is **EXTREMELY IMPORTANT** that, before setting any anchor bolts, the current footing layout is obtained from the manufacturer and the bolts are accurately set.

Anchor bolts are **NOT** included and must be furnished at time of installation. Consult local building codes and drawings.

## STEP 2

Install post/rafter assembly onto anchor bolts. Do Not Completely Tighten Anchor Bolts At This Time, (see Fig. 2-1). Make the ridge beam /rafter connections (finger tight only). Install ridge beam up with the tube at the highest level and the tie block ends slightly lower, (see Fig. 2-2).

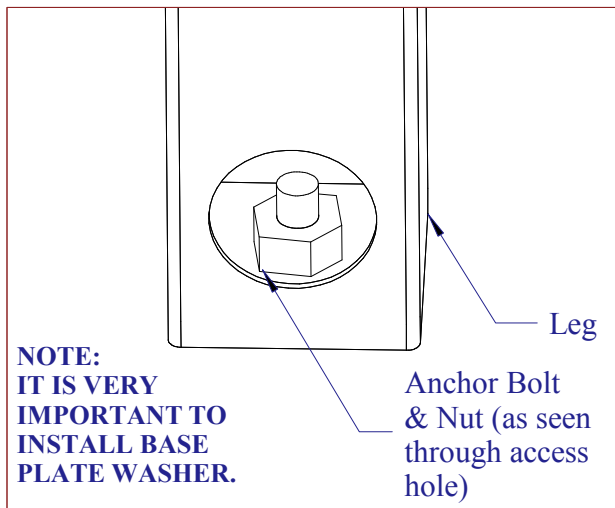


Fig. 2-1

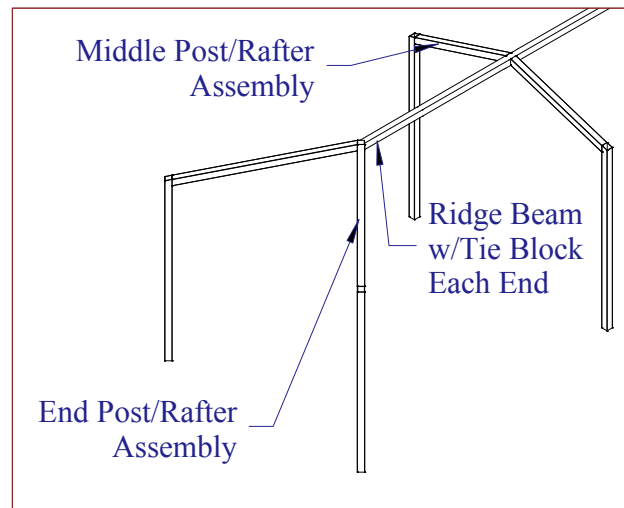


Fig. 2-2

### STEP 3

After ridge beam/rafter assemblies have been connected (finger tight only), attach purlins to posts. (NOTE: Install purlins with the top angled down and out, following the slope of the rafters. This is necessary so the roof panels will lay flat on top of these purlins for installation.)  
Do Not Tighten Bolts Completely At This Time.

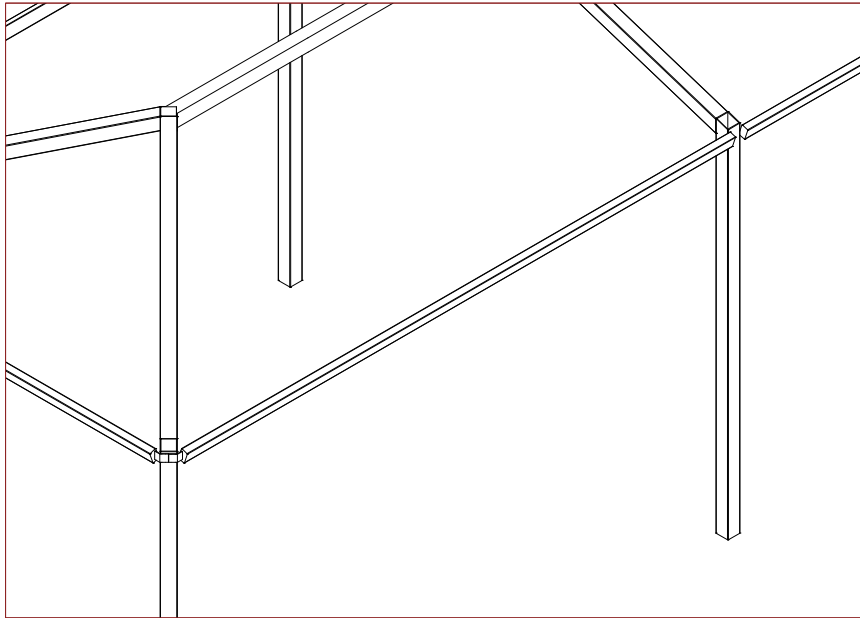


Fig. 3-1

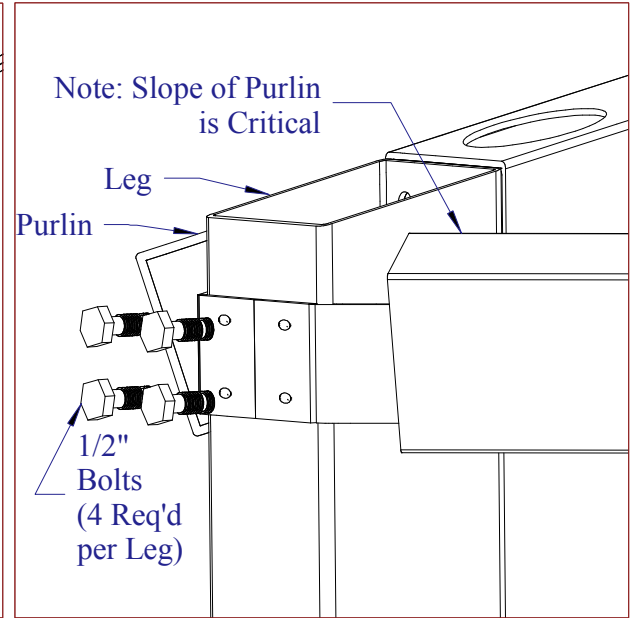


Fig. 3-2

### STEP 4

Next, after referring to the enclosed plans, set the height from the bottom of the ridge beam to a line level with the bottom of the post plates (see Fig. 4-1,2). (NOTE: This is extremely important in being able to square the unit, plumb the post, make connections, prevent gaps, and install all components (a fork lift, basement screw floor jack, or lumber and shim support may be used to set tie block height. Adjusting the height of the tie block up or down during the installation can help in making connections of various components; however be certain to re-set to correct height afterwards).

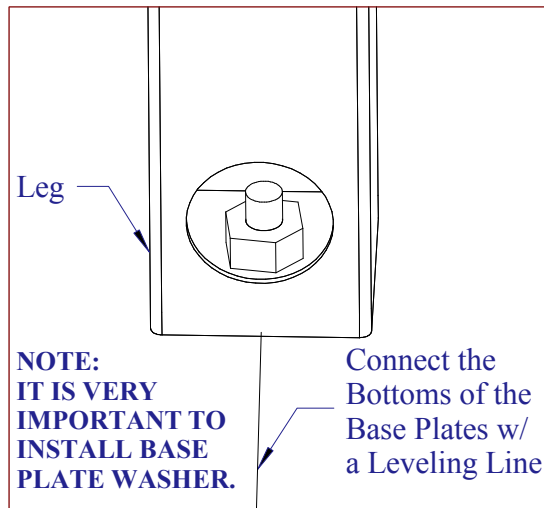


Fig. 4-1

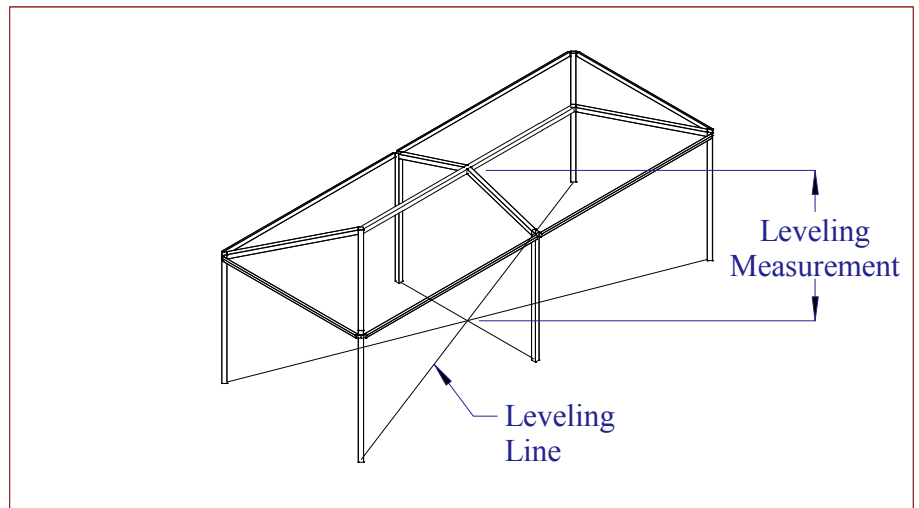
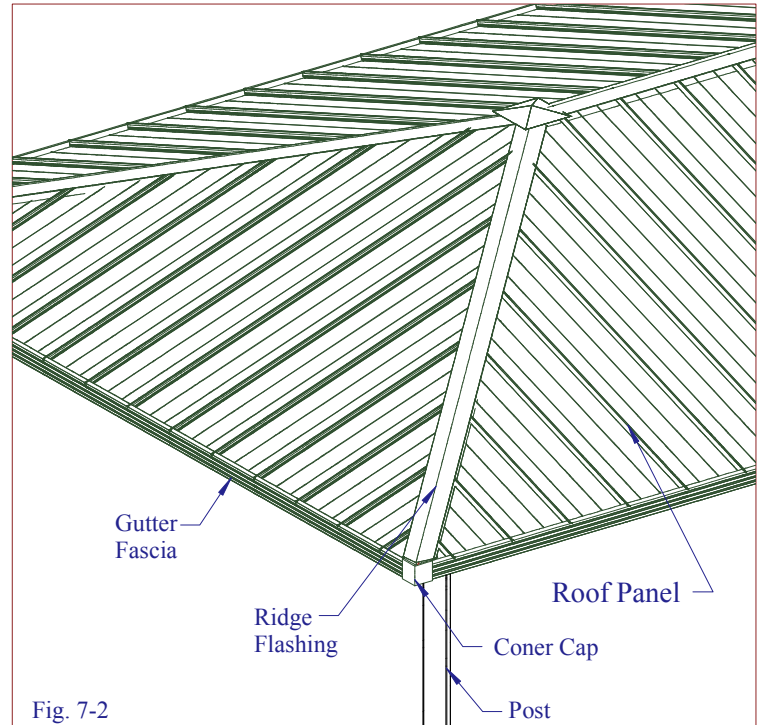
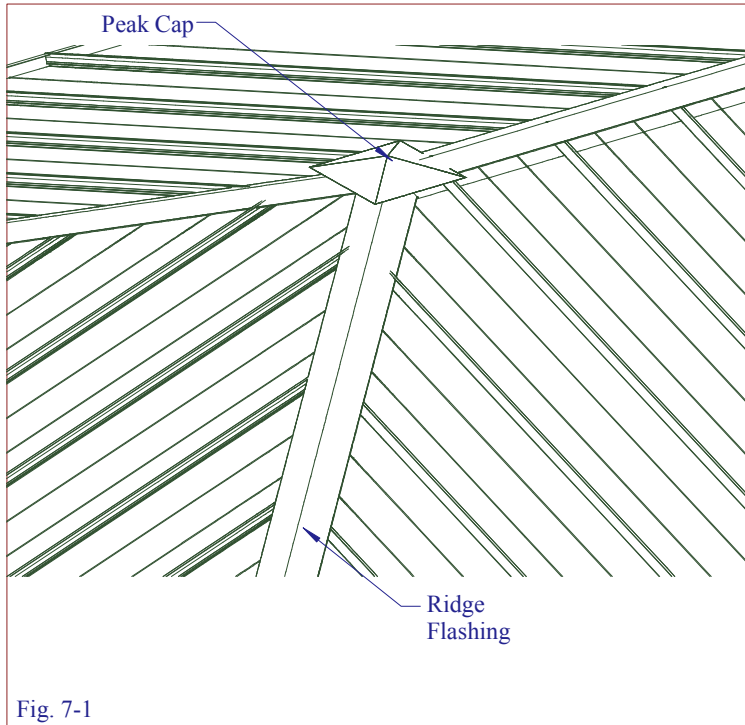


Fig. 4-2

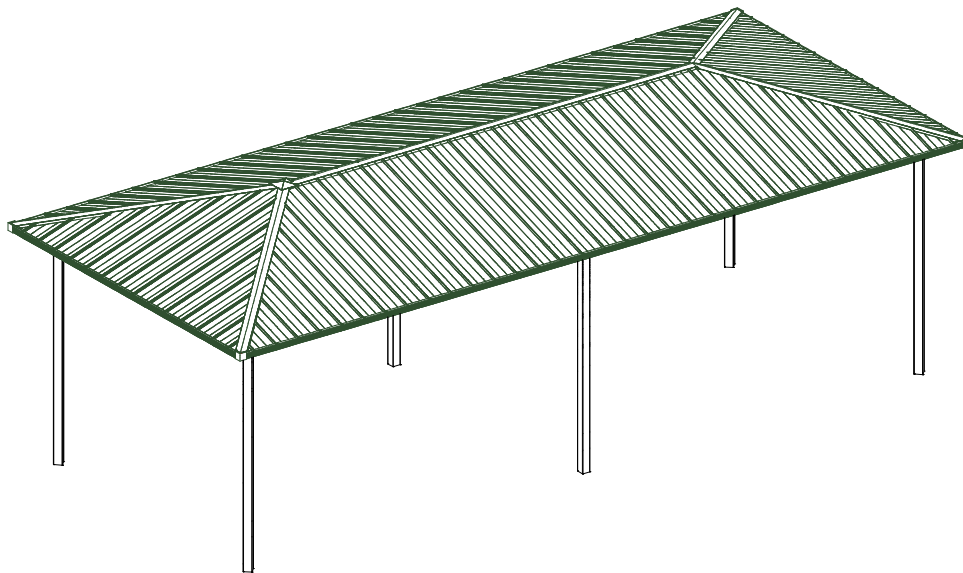


## STEP 7

As the roof panels are installed make sure the locks stay 18" on center. If this is not achieved at the top & bottom problems may not show up until the end of panel installation when the panels will not fit properly and may appear to be too long or cut wrong. NOTE: Do Not push the roof panels too far towards the ridge caps. Leave enough of the roof panel protruding from the end of the ridge caps to attach the gutter. Secure the roof panels to the wood deck using 1" washer head wood screws (see Fig. 7-1). Once all of the roof panels, the ridge T flashing and the peak cap have been installed, install the gutter fascia. Attach the gutter fascia with #2 Tek screws at 8" on center and the corner caps with 4-#2 Tek screws.



Note: Touch up paint has been supplied with your shelter to cover minor scratches or bolts and screw heads to give your shelter the finished look. Use a template for touch up painting to achieve a good finish and minimize over spray.



## CONGRATULATIONS! ASSEMBLY COMPLETED

*Other Products Available from AMERICANA BUILDING PRODUCTS:*

Fabric Window Awnings, Aluminum Patio Covers and Window Awnings, Glass Enclosures, Screen Enclosures, Park Shelters, Aluminum Railings & Columns, Retractable Fabric Awnings & More!