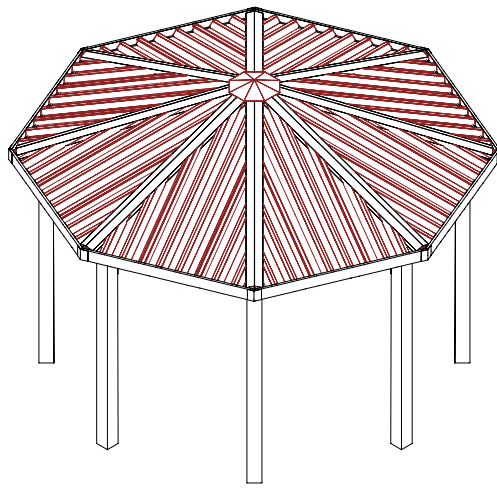


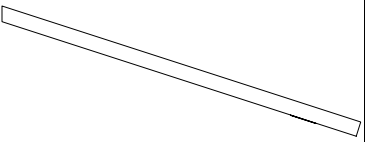

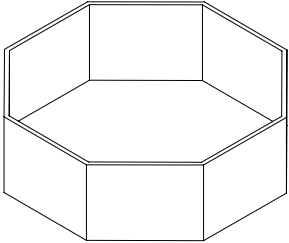
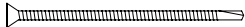
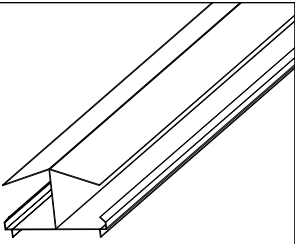
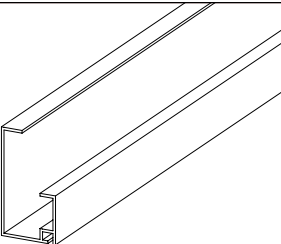
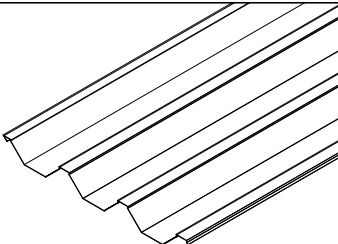
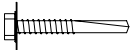
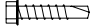
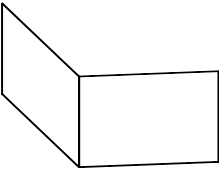
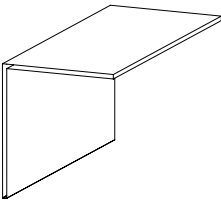
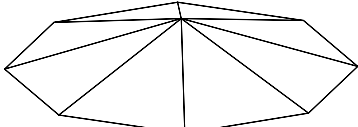
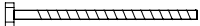
Standard Aztec Shelter Assembly & Installation Instructions



Recommended Tools: Safety Glasses, Tape Measure, Carpenters Level, Framing Square, Hex Head Nut Drivers, Elec. Drill w/ Bits, Open or Box End Wrenches, Mallet

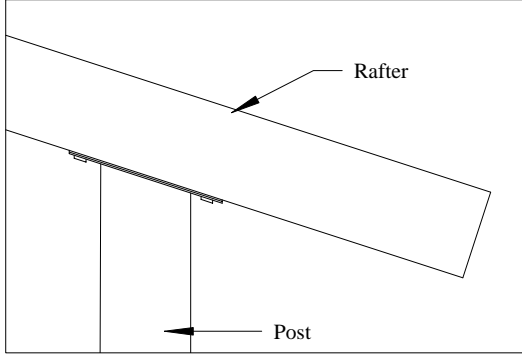
- Before You Begin:**
- 1.) Please read all instructions and the General Notes Page carefully. Check the Bill of Materials for any missing parts, and gather necessary tools. To prevent scratching of painted materials, place on a tarp, paper, or protective material.
 - 2.) You may be required to obtain a building permit for this structure from your local building authority. This product should only be installed in 10, 20, or 30 psf (pounds per square foot) snow load and 90 mph or less wind speed zone (Custom models can be designed for heavier loads). Contact your local building department for details and your area's snow & wind loads.
 - 3.) Note that this Roof Deck is not designed to carry additional loads such as hanging heavy plants, swings, people, or other objects.
 - 4.) Installing Tek screws at a high rpm may cause screws to become damaged or break during installation.

AZTEC SHELTER PARTS LIST

 (8) Rafter	 (8) Post	 (1) Tie Block	 5" x 1/4" Self Drilling Screw
 (8) Ridge Cap	 (8) Gutter Fascia	 Roof Panel	 #12 x 1-1/4" Tek Screw  #8 x 3/4" Tek Screw
 (8) Corner Plate	 (8) Rafter Gutter Bracket	 (1) Peak Cap	 4" x 1/2" Bolt

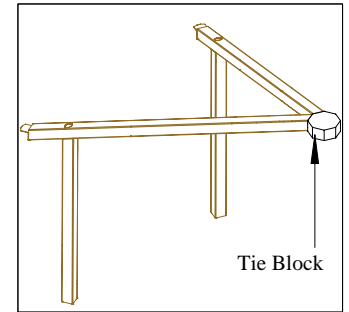
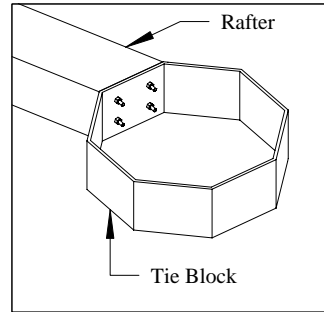
STEP 1

- Layout the 8 Legs and Rafters
- Bolt together using 1/2" Bolts and nuts but do NOT TIGHTEN COMPLETELY at this time



STEP 2

- Bolt the Eight-Sided Tie Block to one of the Leg/Rafter assemblies and stand it up
 - Stand up another assembly to the left or right of the 1st one and bolt together
- Follow this procedure around the tie block until all are in place
DO NOT COMPLETELY TIGHTEN BOLTS AT THIS TIME



STEP 3

- Set the Post Spacing per layout plans
 - Referring to the Special Anchoring Instructions attached, anchor the Posts to the Slab or Footings
- DO NOT COMPLETELY TIGHTEN BOLTS AT THIS TIME**

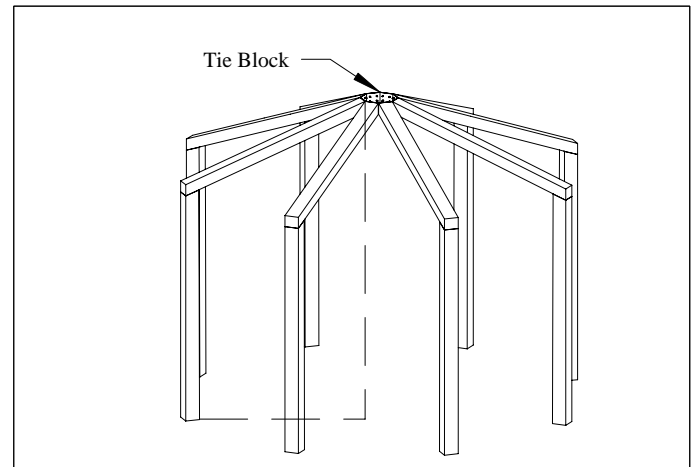
STEP 4

- After referring to the enclosed plans, set the height from the bottom of the Tie Block to a line level with the bottom of the Post Plates

NOTE: this is extremely important in being able to square the unit, plumb posts, make connections, prevent gaps, and installing all components

(a fork lift, basement screw floor jack, or lumber and shim support may be used to set Tie Block height

Adjusting the height of the Tie Block up or down during installation can help in making connections of various components; however be certain to re-set to correct height afterwards.)



STEP 5

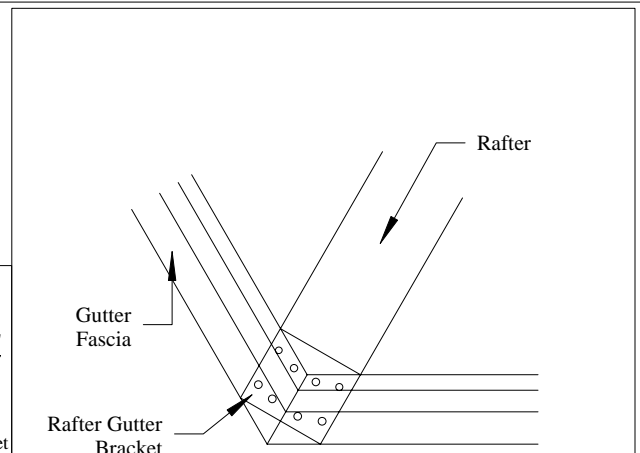
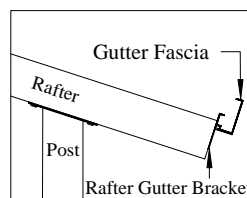
- Place a Gutter Fascia piece on the Gutter Brackets at end of the Rafters, making sure that the ends are centered on the Brackets

Secure each end with 4 of the larger #14 x 3/4" Drill Screws

- Do a Gutter piece across from the 1st and continue in this fashion

- NOTE: Due to the variety of site or frame conditions
- There is one piece that is marked to "install last"
- This piece is longer than the others and has only one end cut on an angle

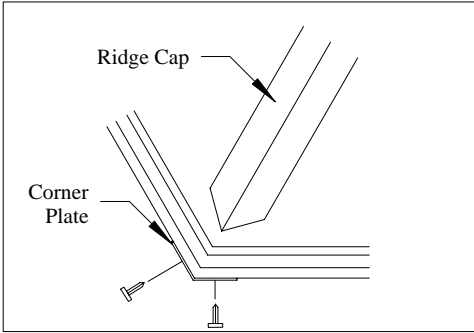
AFTER five pieces have been installed measure the last opening and cut this last piece on the correct angle and length needed, and install it may be necessary to use a heavy-duty ratchet strap to make the last connection



STEP 6

- Attach the corner plates to the Gutter Fascia using (8) 3/4" Drill Screws

It is very important that this step is followed!!



STEP 7

- At this time, the final leveling, squaring, and plumbing of the frame can be done and all Bolts tightened

STEP 8

- Using the 1-1/4" Drill Screws, attach the 6 Ridge Caps to the top of the Rafters, screwing through on side of the bottom lip of the Ridge Cap into the side of the Rafter, on 12" Centers. Be sure the Ridge Cap is even with top end of Rafter before attaching to Rafter

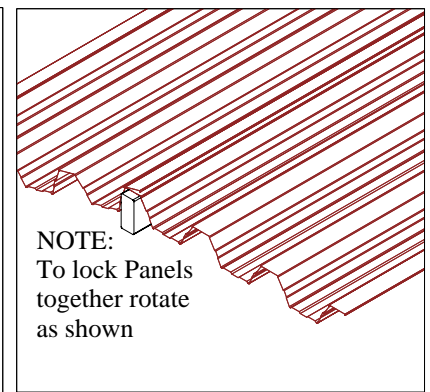
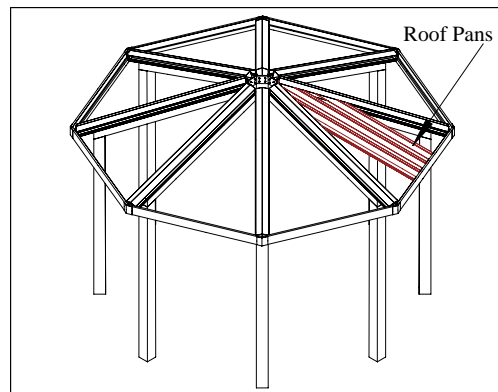
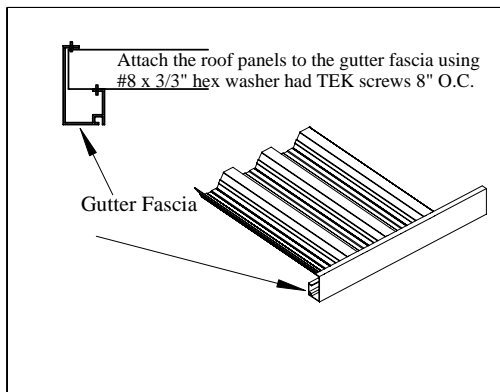
NOTE: On occasion, the Ridge Cap must be made in 2 pcs. Install the shortest piece at the top and work down

STEP 9

- The Roof Panels are boxed and numbered, as to each section of the roof; do NOT mix one box with another. Start in the center of each section with longer roof panels and snap the lock of the Roof Panels together

Secure to Ridge Cap and the lip of the Gutter with the 3/4" Drill Screws on 8" centers

NOTE: Place the Tie Block Cap on top of the unit and fasten to the Ridge Cap prior to installing the Roof Panels of the last section. Be sure to maintain 24" spacing on Roof Panels



STEP 10

- We recommend drilling 1-1/2" holes in the bottom of the Gutter at several locations, or Downspouts may be used to drain water from the Gutters

NOTE:

Touch up paint has been supplied with your shelter to cover minor scratches or bolts and screw heads to give your shelter that finished look. Use a template for touch up painting to achieve a good finish.

End of Aztec Shelter Instructions

