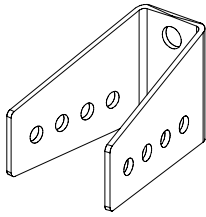
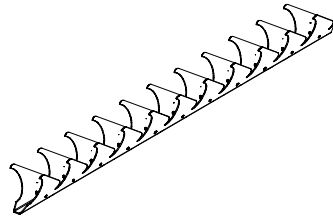


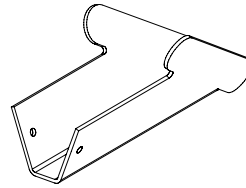
PARTS LIST:



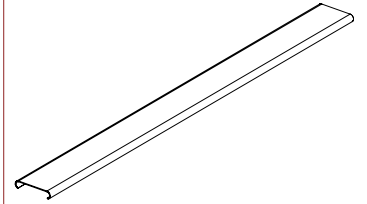
1. Wall Bracket



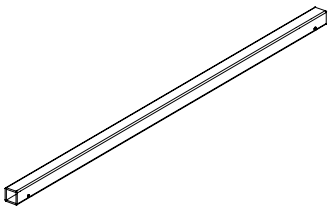
2. Stringer



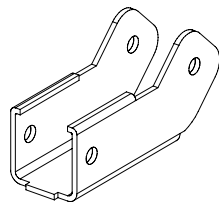
3. Valance Bracket



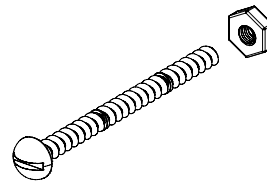
4. Panel



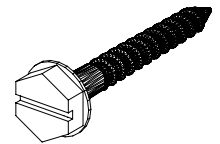
5. Return Arm



6. Return Arm Extension



7. 1 1/2" Bolt w/ Nut



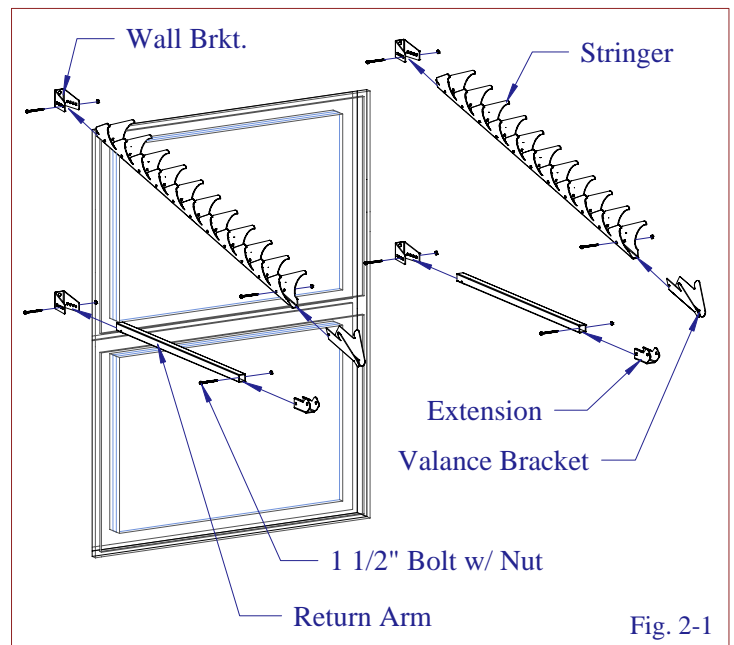
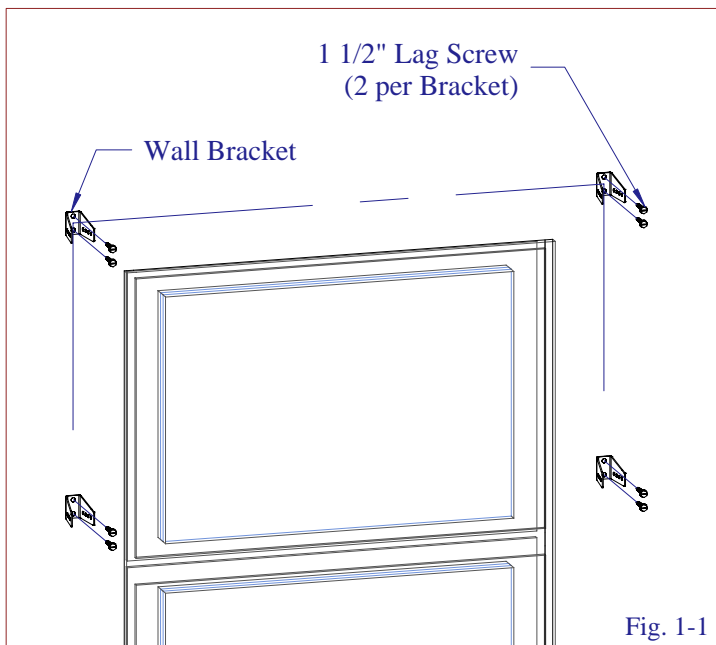
8. 1 1/2" Lag Screw

STEP 1

Locate wall studs and position Wall Brackets around window. Attach Wall Brackets to wall with 2 - 1 1/2" Lag Screws per bracket as shown (see Fig. 1-1). Note: Lag Screws must hit solid wood. Do Not attach to sheeting, siding, flashing, or any other non-structural surface.

STEP 2

Attach Stringer to upper Wall Bracket with 1 - 1 1/2" Bolt w/ Nut per bracket. Attach Return Arm to lower Wall Bracket with 1 - 1 1/2" Bolt w/ Nut per bracket. Attach Valance Bracket to Stringer with 1 - 1 1/2" Bolt w/ Nut per bracket. Attach Return Arm Extension to Return Arm with 1 - 1 1/2" Bolt w/ Nut per bracket. (see Fig. 2-1)



STEP 3

With Stringers hanging against the wall, guide Panels onto one end by hooking the edge of the panel over the top lip of the Stringer. Keeping the Stringers in vertical position, center the panels with equal overlap in respect to the window. Start from the top and work towards the bottom, snapping each panel over the front edge of the Stringer. (see Fig. 3-1)
For extra long installations: Panels of different lengths may be snapped together to obtain any width desired. Just slide the back edges of two Panels together to overlap at least 3" and snap together.

STEP 4

Attach Return Arm Extension to Stringer with 1 - 1 1/2" Bolt and Nut as shown (see Fig. 4-1).

After Panel has been slid over top lip of Stringer and centered, snap into position.

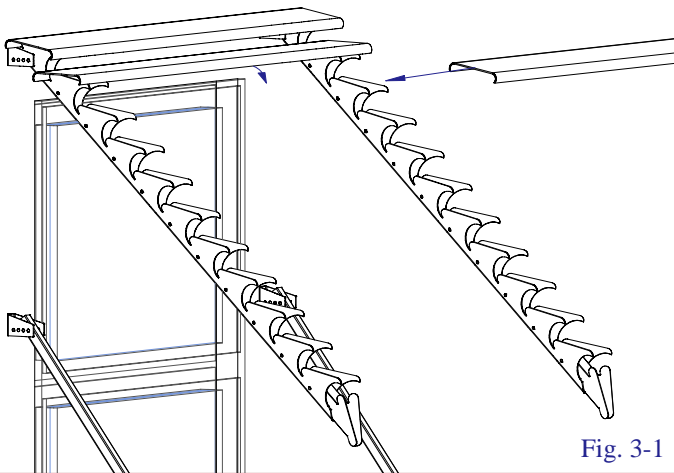


Fig. 3-1

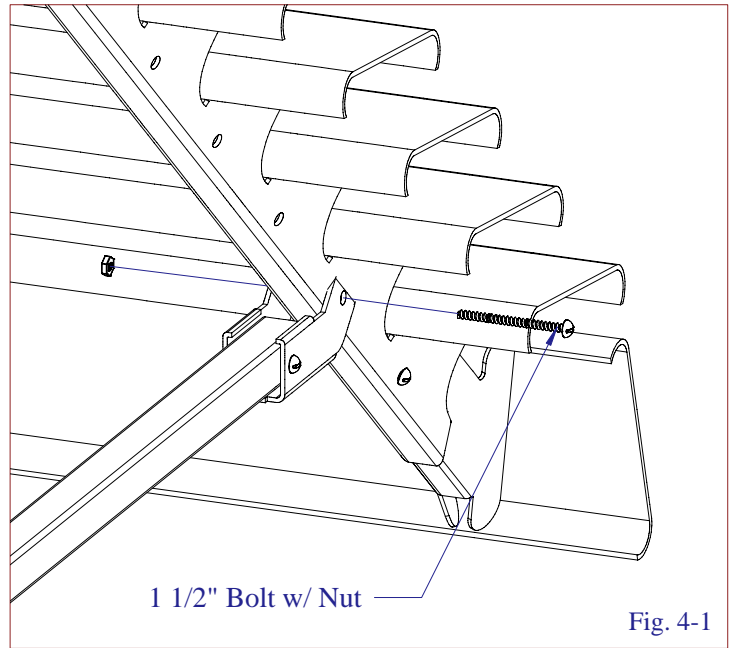
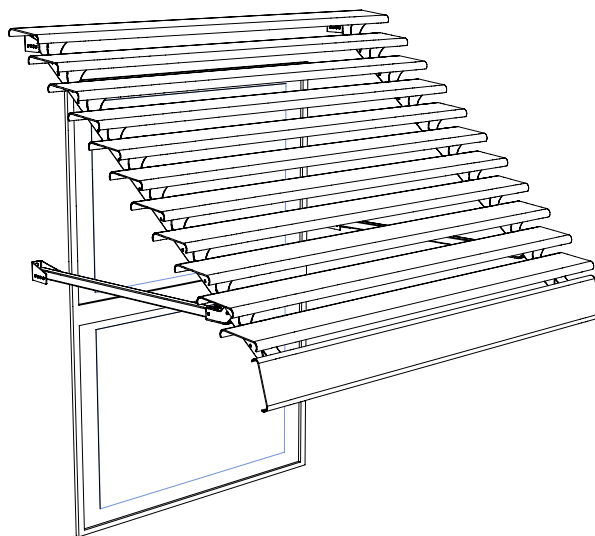


Fig. 4-1

ASSEMBLY COMPLETED



Other Products Available from Americana: Fabric & Aluminum Awnings - Carports
- Patio Covers - Room Enclosures - Park Shelters

Check Out Our Web Site @ www.americana.com