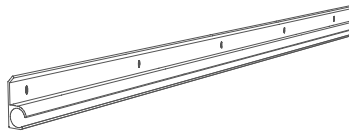
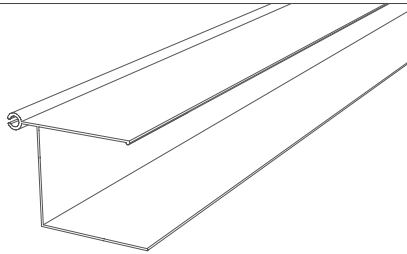


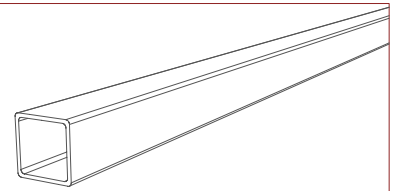
**ALPINE PATIO COVER
PARTS LIST**



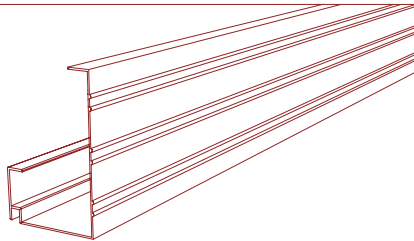
1. Awning Rail



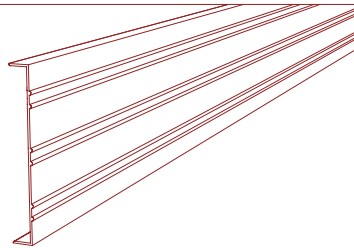
2. Wall Mounting Channel



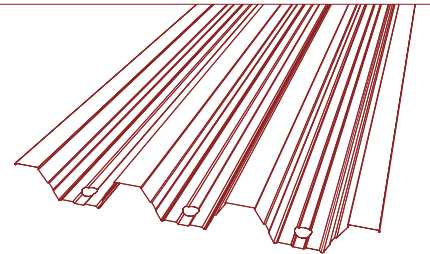
3. 3" x 3" Post



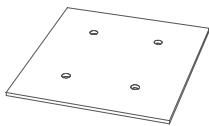
4. Front Gutter



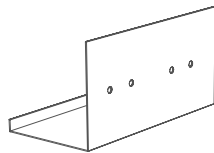
5. Side Fascia



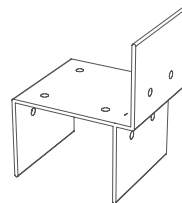
6. Roof Panel



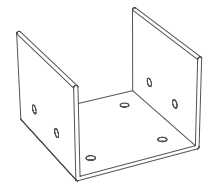
7. Wall Channel Splice Plate
(Optional)



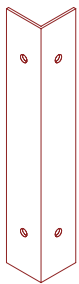
8. Gutter Splice (Optional)



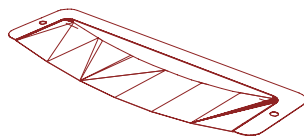
9. Top Post Bracket



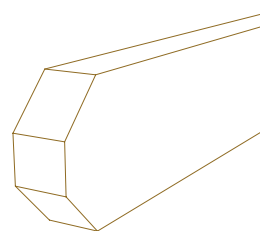
10. Bottom Post Bracket



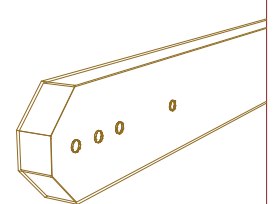
11. Corner Cap



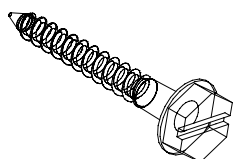
12. Scupper



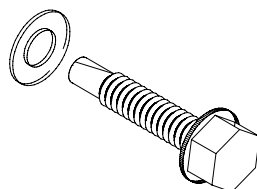
13. 3" x 8" Header



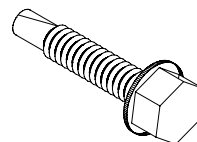
14. 2" x 6" Side Plate
(Optional)



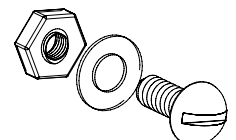
15. 1 1/2" Lag Screw



16. #14 x 3/4"
Tek Screw with Washer



17. #8 x 3/4"
Tek Screw



18. #8 - 32 x 1/2"
Bolt, Nut, & Washer

STEP 1.

- Drill 1/4" dia. holes beginning 2" from either end at 12" to 16" on center in awning rail as shown (see Fig. 1-1).
 - Slide awning rail onto wall channel and apply a generous bead of silicone to backside of awning rail (see Fig 1-1).
- (Note: Center to center dimension of 1/4" holes is determined by location of wall studs or other structural member that the awning must be anchored to. Do not attach awning to sheeting, siding, flashing, or any other non-structural surface.)

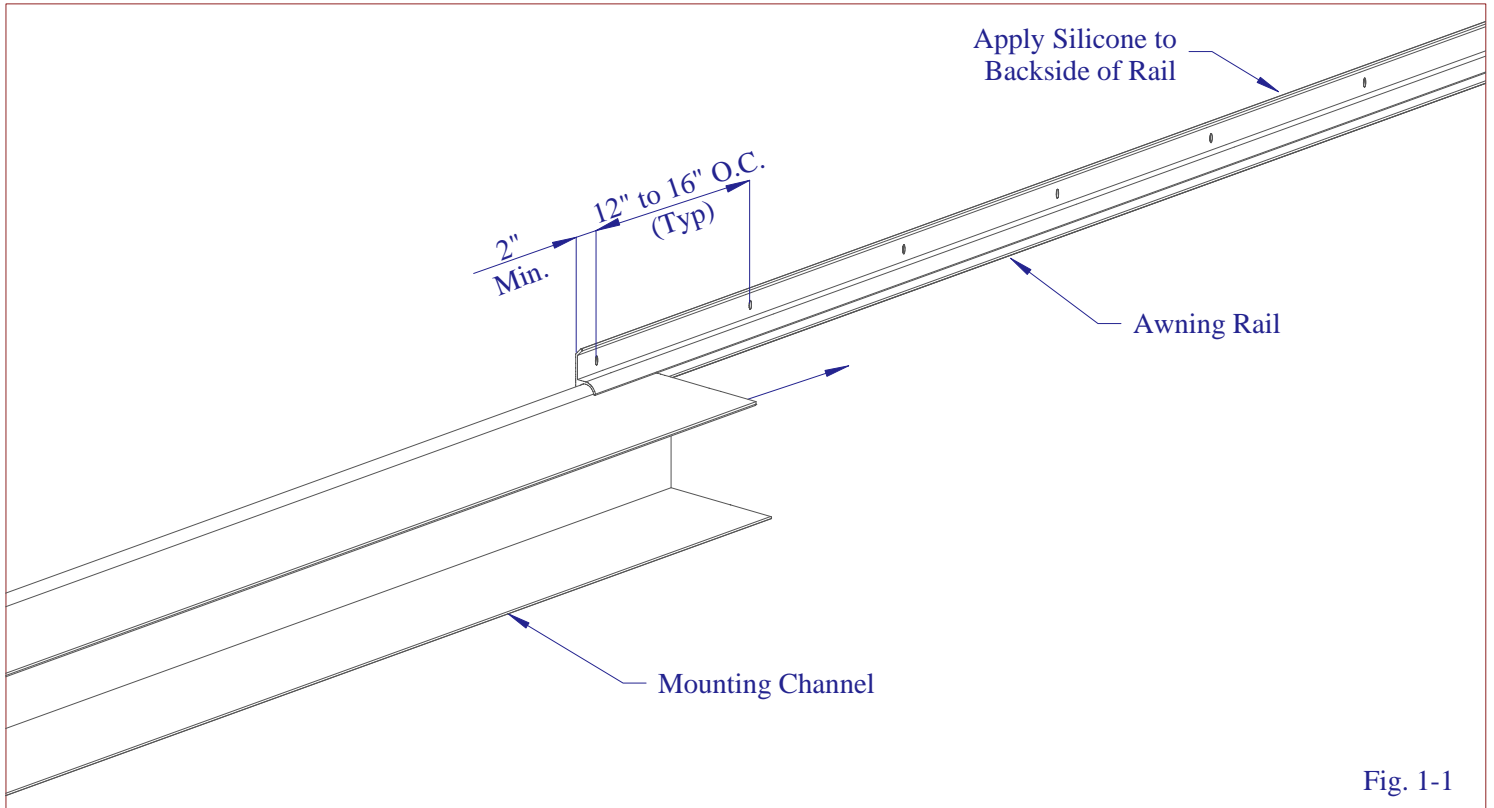


Fig. 1-1

- Mark a level line a minimum of 5 1/2" above out-swinging door.
 - Align holes in awning rail with level line, and attach awning rail / mounting channel assembly to existing structure with 1 1/2" lag screws (see Fig. 1-2).
 - If mounting channel is in two sections, a splice plate is required (see Fig. 1-3). Be sure to caulk wall mounting channel at splice and remove excess silicone after attaching.
 - After mounting channel is installed, apply caulk to the hinge to prevent water leaks.
- NOTE: If attaching patio cover to concrete or masonry unit, a masonry drill, bit, and anchors are required.

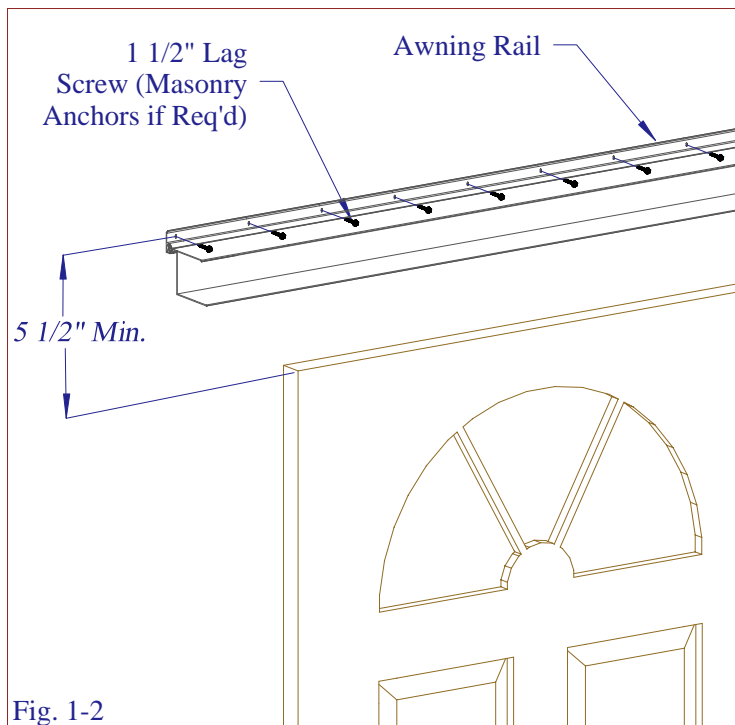


Fig. 1-2

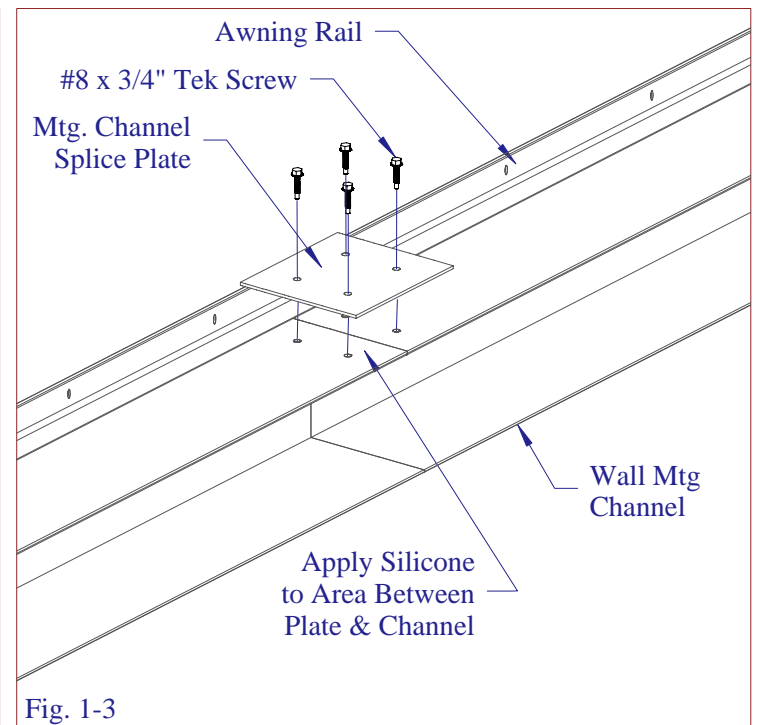
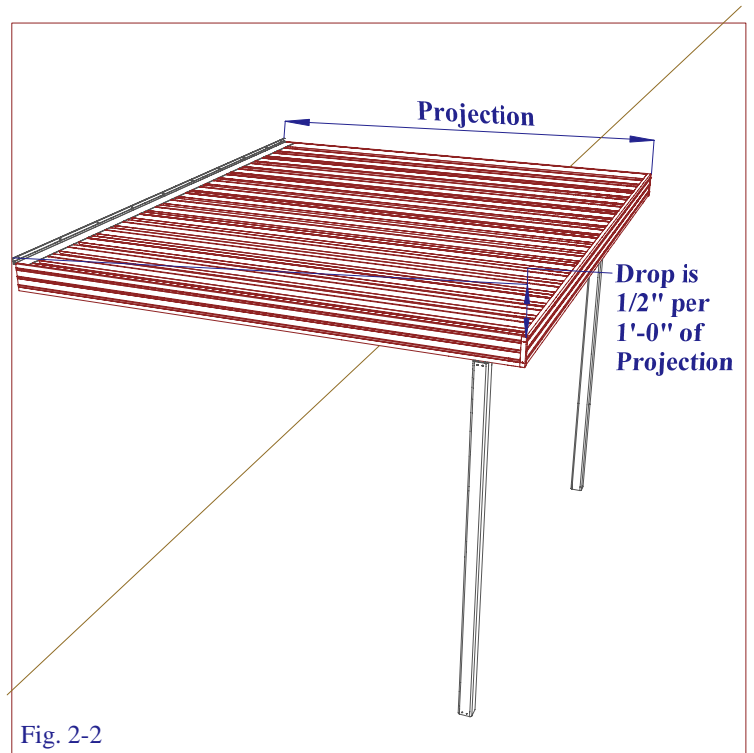
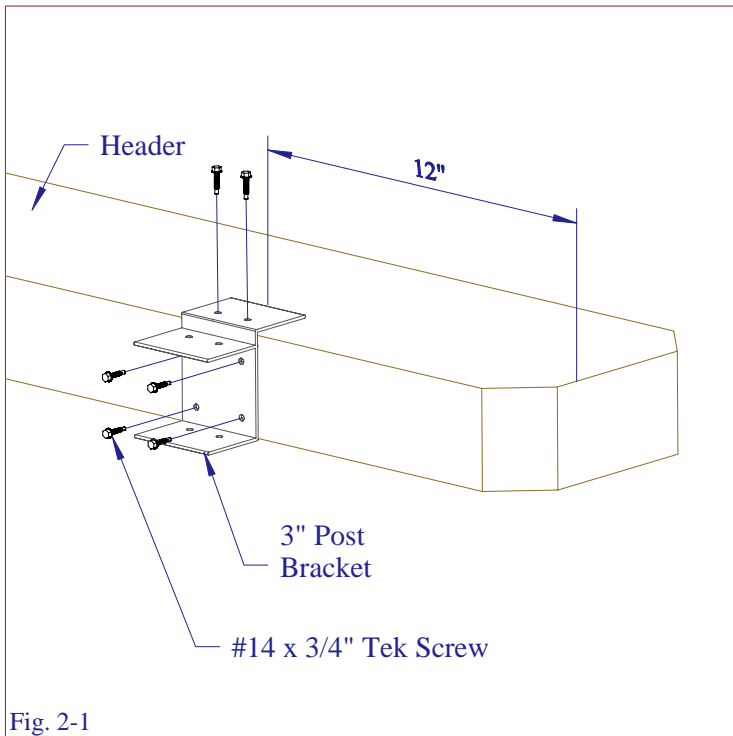


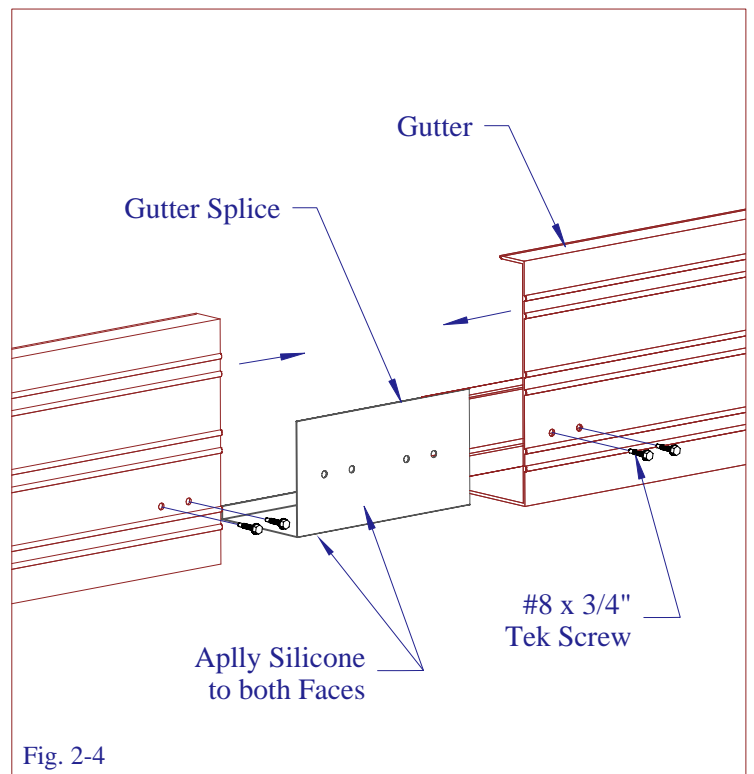
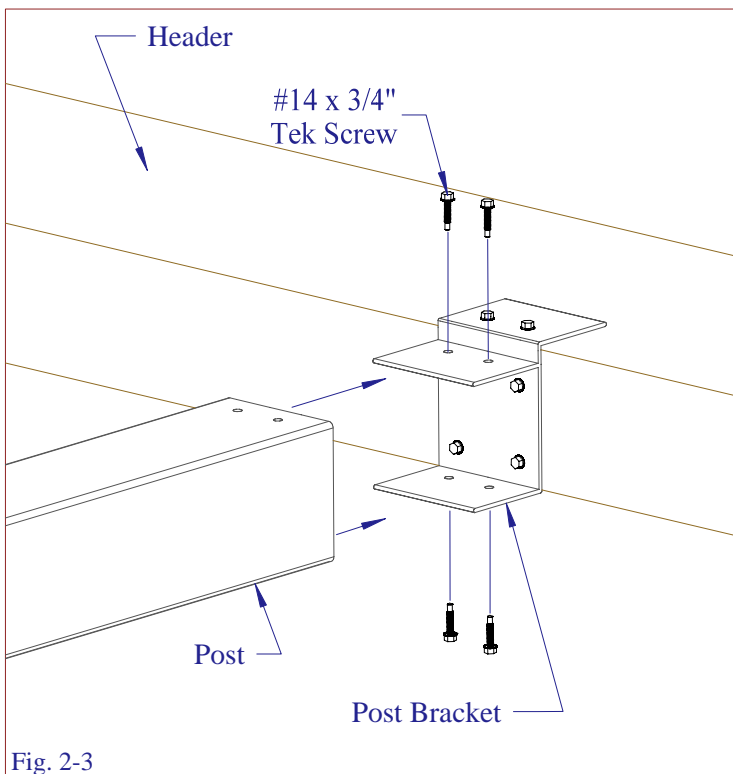
Fig. 1-3

STEP 2.

- Attach post brackets to bottom of header beginning 12" from each end with 6 - #14 x 3/4" Tek screws per bracket (see Fig 2-1).
 - Post spacing should be no more than 10'-0" between posts.
 - Cut posts to proper height, we recommend front height of cover be 1/2" per foot of projection lower than mounting height. Remember to subtract 8" for the header.
- EX: With 8'-0" projection, the front height should be 4" lower than mounting height; cut post to 12" shorter than mounting height. 3" x 8" Header will sit on top of posts (see Fig 2-2).

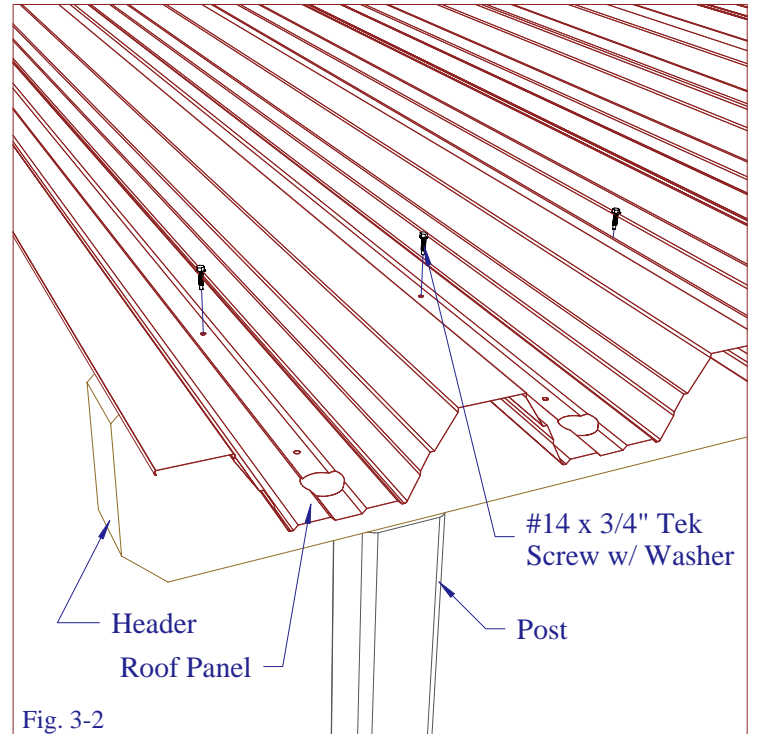
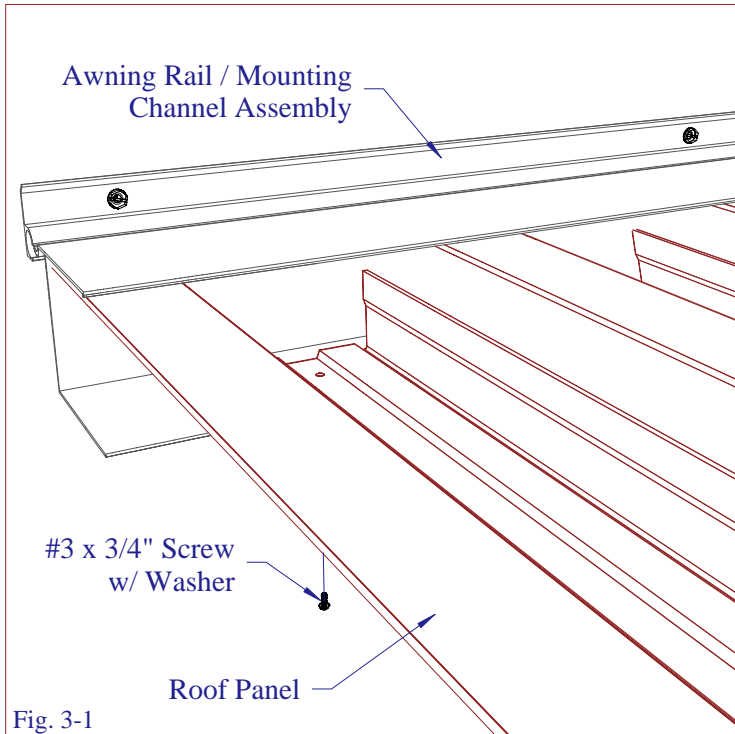


- Attach posts to post brackets with 2 - #14 x 3/4" Tek screws per side (see Fig. 2-3).
- Stand the header / post assembly upright. Upright assembly can be used to temporarily support the front of deck panels during installation (see Fig. 3-1).
- If the gutter is in two sections, insert the gutter splice, caulk, and fasten with #8 x 3/4" Tek Screws as shown (see Fig 2-4).

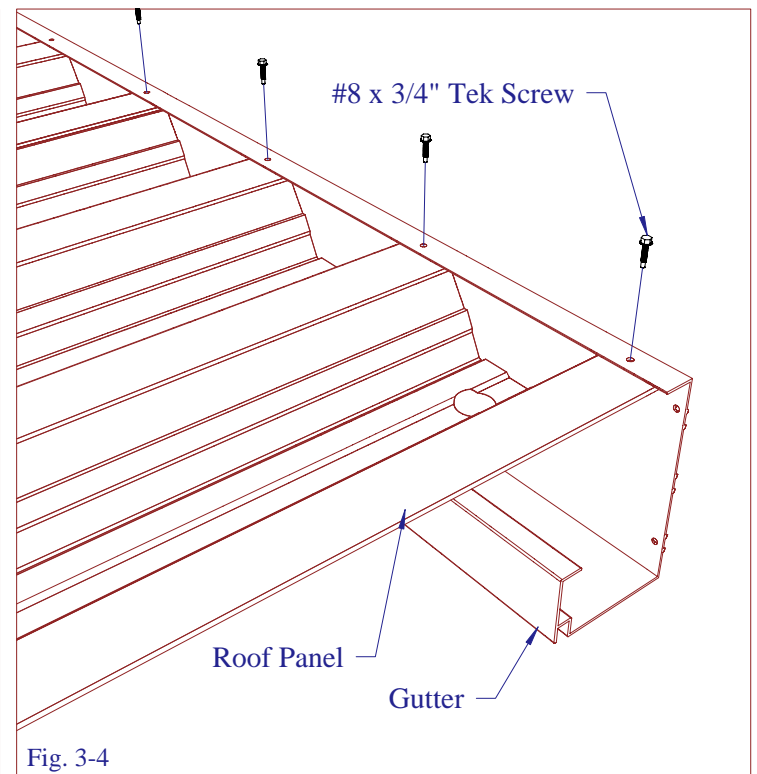
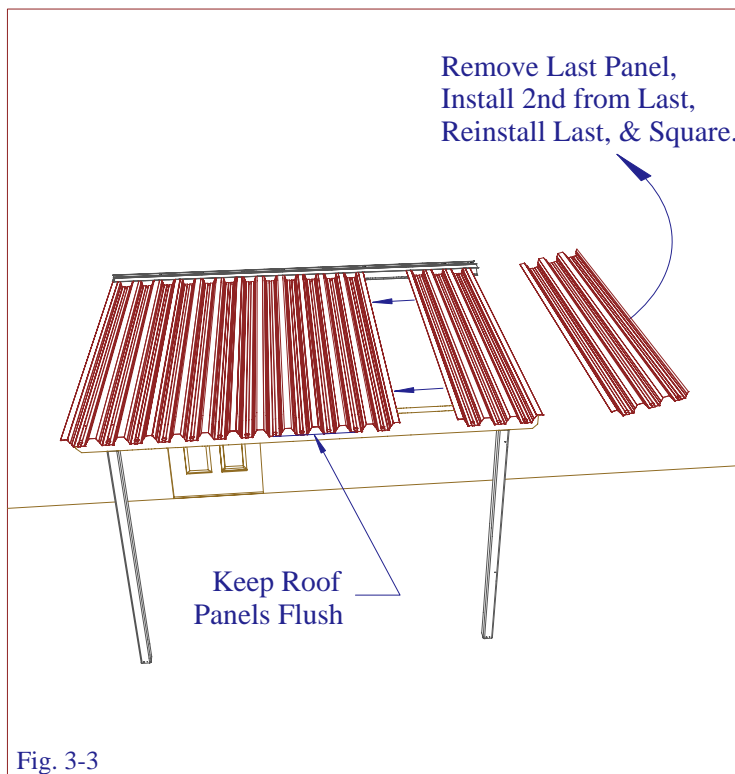


STEP 3.

- Working from underneath, attach roof panels to the wall channel with #3 x 3/4" screw with washer (see Fig. 3-1).
- Working from topside, attach the other end of roof panels to the Header with #14 x 3/4" screw with washer (see Fig. 3-2).

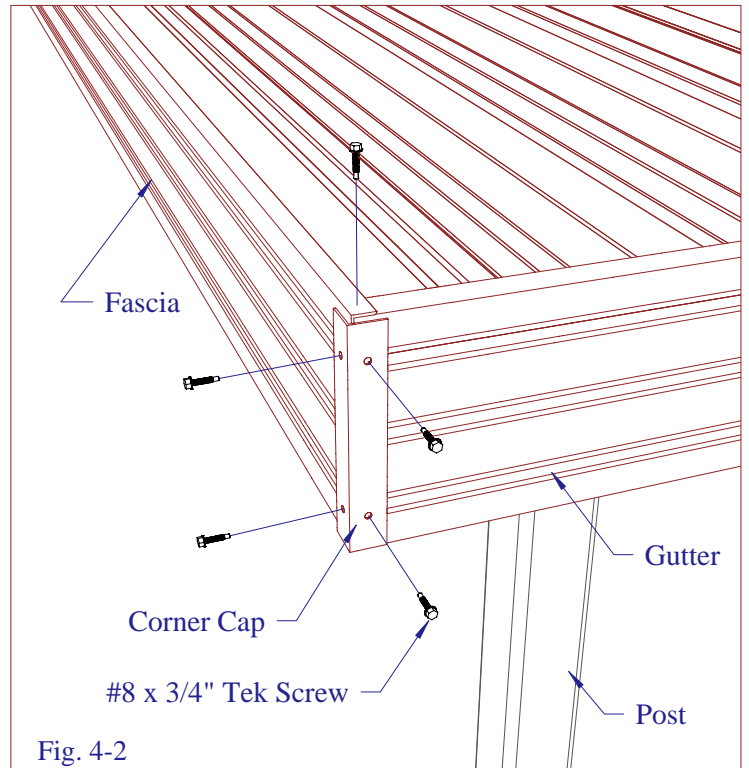
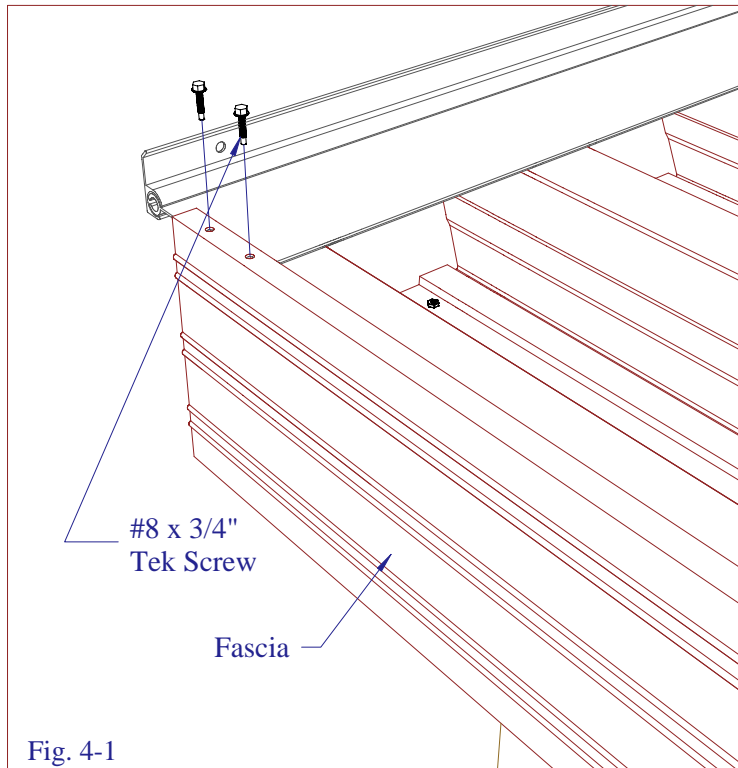


- Once there are two roof panels attached, one at each end, square the cover.
- Slide or snap remaining roof panels into place.
- When you reach the last two panels, remove the end panel installed to square the unit and install the 2nd from last panel before reinstalling end panel (see Fig. 3-3).
- Square cover again and tighten all screws.
- Attach the gutter to the square end of the roof panels using 3 - #8 x 3/4" Tek Screws per panel as shown (see Fig. 3-4).
- Square cover again and tighten all screws.



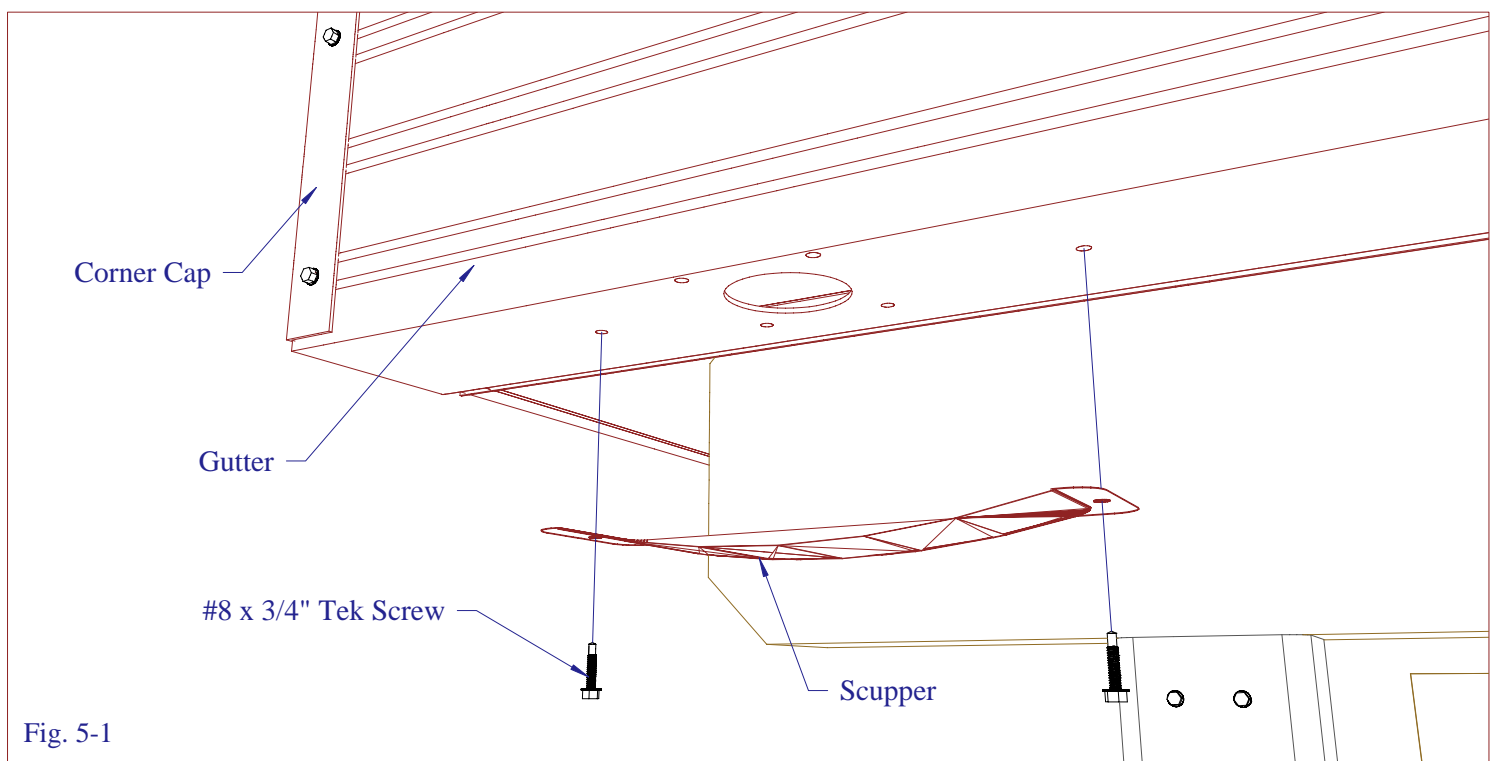
STEP 4.

- Attach one end of projection fascia to the wall channel with 2 - #8 x 3/4" screws from the top of fascia.
- If your patio cover has a projection greater than 8'-0", we recommend securing the center of the fascia to the roof panel with a #8 x 3/4" screw.
- Attach either end of the projection fascia to the gutter by caulking & installing corner caps with 4 - #8 x 3/4" screws (see Fig. 4-2).



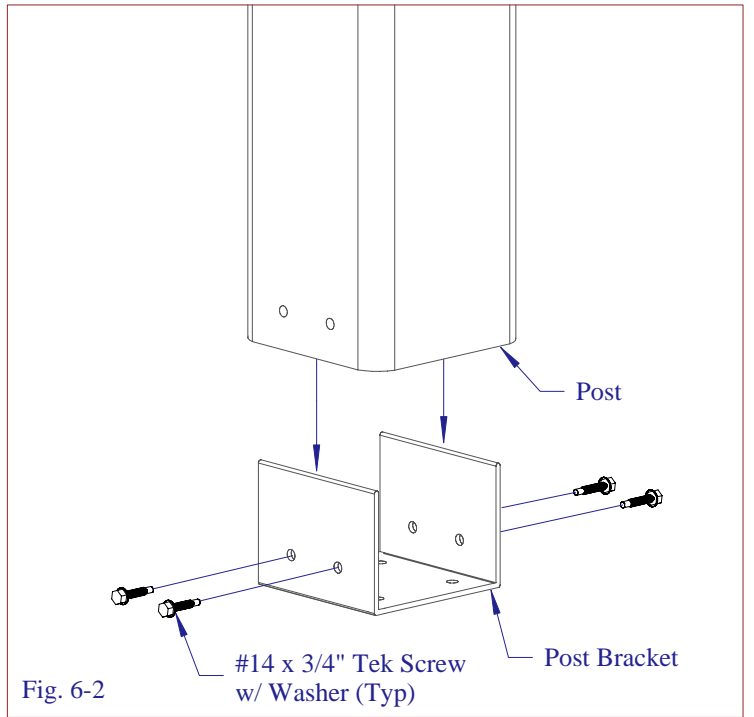
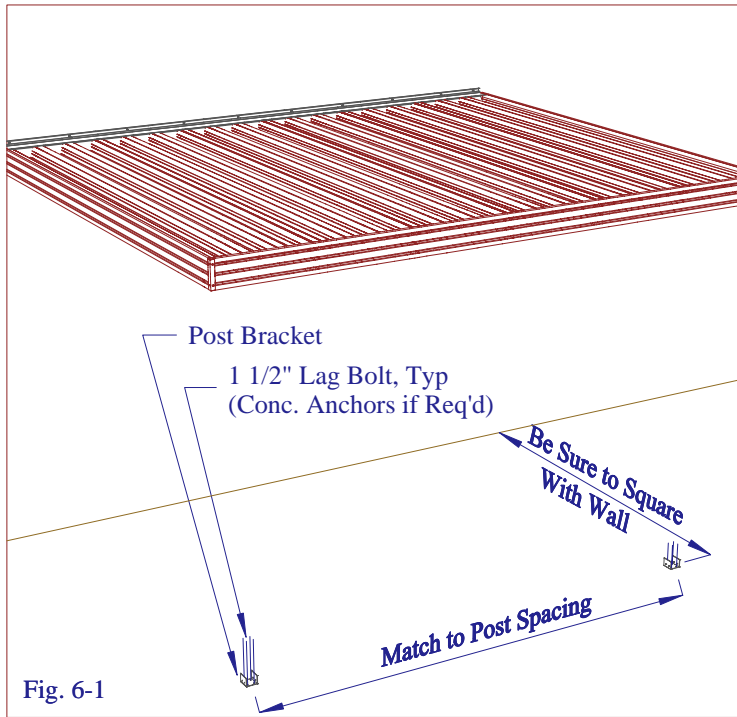
STEP 5.

- Determine where you want the water to run from unit.
- Mark and drill several small holes in bottom of gutter forming a pattern no bigger than 2" x 3".
- With a saw, remove the material between holes to create one larger hole.
- Apply silicone to flange of scupper & attach to gutter with 2 - #8 x 3/4" Tek Screws covering large hole (see Fig. 5-1).



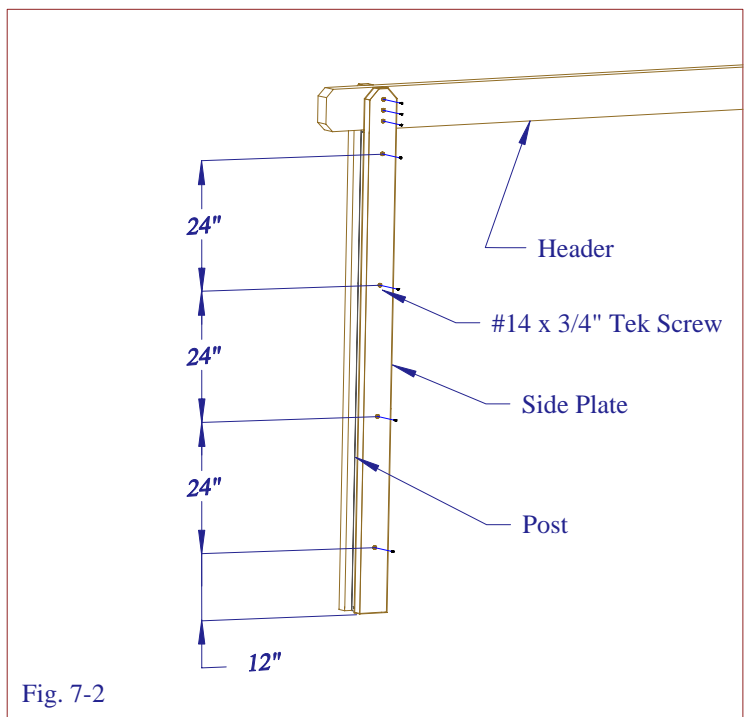
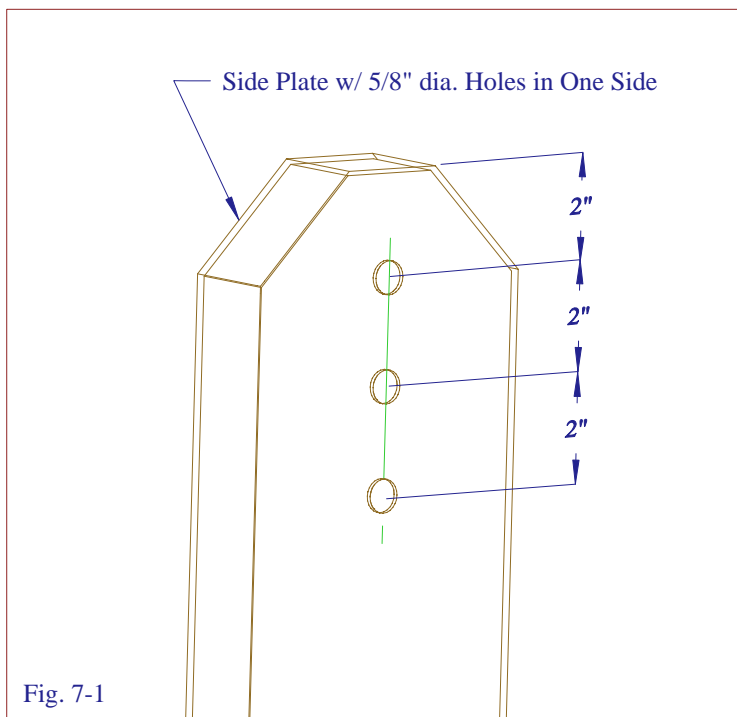
STEP 6.

- Attach bottom post bracket to deck or slab directly beneath the post using 4 - 1 1/2" screws or concrete anchors for each bracket.
 - Secure posts to post brackets using 4 - #14 x 3/4" Tek Screws w/ washers (see Fig. 6-2).
- NOTE: Be sure to square post brackets with building and post spacing (see Fig. 6-1).



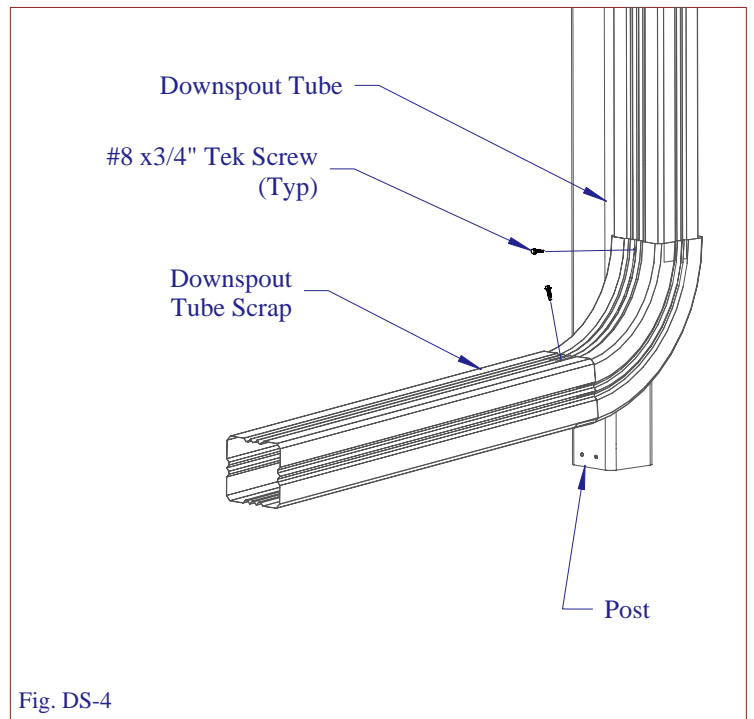
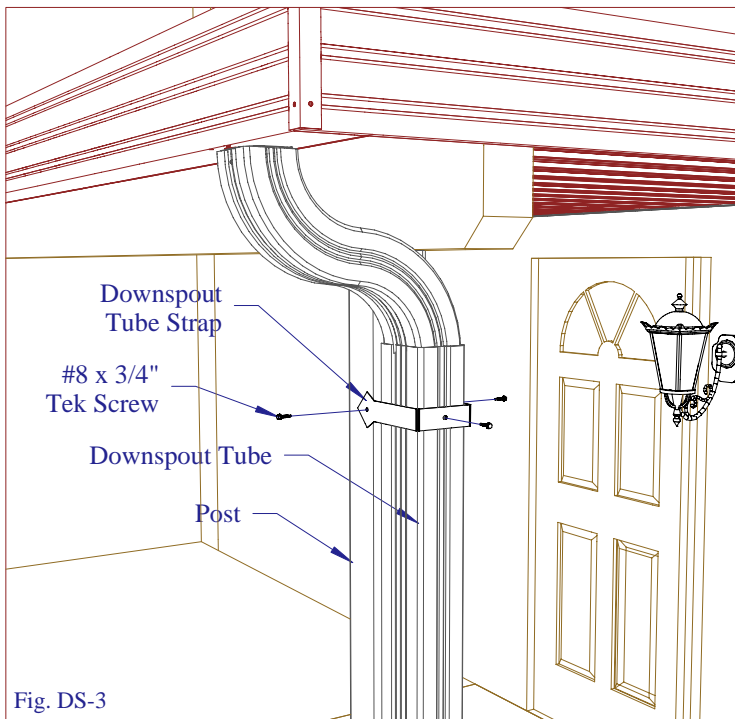
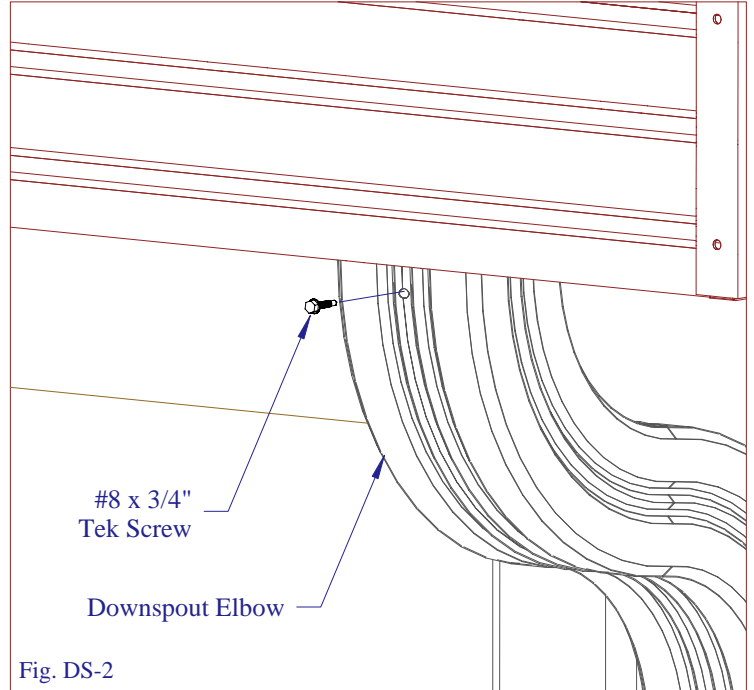
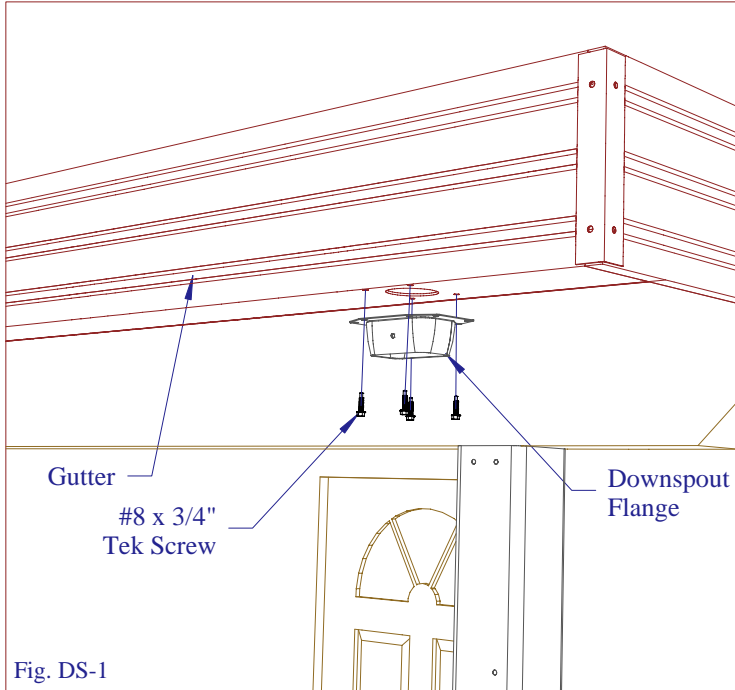
STEP 7. OPTIONAL 2" x 6" SIDE PLATES

- Measure and cut sideplates to proper length (be sure to cut from bottom).
- Top of sideplate should be flush with bottom of roof panels.
- Drill 7 - 5/8" dia holes in one side as per the dimensions shown in Fig. 7-1 & 7-2.
- Center side plate against post and attach with #14 x 3/4" Tek Screw (see Fig 7-1).
- Cap 5/8" holes with provided plugs. Repeat on opposite side of post.



OPTIONAL DOWNSPOUT ASSEMBLY

- Cut hole in desired location along bottom of gutter. We recommend the hole be located beside a post.
 - Using 3/4" screws attach downspout flange over hole, be sure to apply silicone between flange and gutter (see Fig. DS-1).
 - Cut downspout tube to desired length and secure to neck of downspout flange with 3/4" screw (see Fig. DS-2).
 - Strap downspout tube to post using 3 - #8 x 3/4" Tek screw per strap (see Fig. DS-3).
 - Attach Downspout elbow to tube with #8 x 3/4" Tek Screw.
- NOTE: Insert bottom of tube into elbow for effective water flow.
- Use the remainder of downspout tube attaching it to the bottom of elbow as shown (see Fig. DS-4).



ASSEMBLY COMPLETED

Other Products Available from Americana: Fabric & Aluminum Awnings - Carports -
Patio Covers - Room Enclosures - Park Shelters

Check Out Our Web Site @ www.americana.com