

IMPORTANT -- SPECIAL INSTALLATION INSTRUCTIONS

**** READ ALL INSTALLATION INSTRUCTIONS BEFORE STARTING!****

If at any point, you have questions, call 1-800-851-0865...(The manufacturer will not be responsible for delays or lost installation time, due to failure to follow all instructions.)

ATTENTION INSTALLERS:

Metal shavings left on roof or other surfaces will quickly rust and stain the surface finish. Cutting, drilling and installing roof panels, fasteners and other components will cause metal shavings. These shavings **MUST** be carefully removed at the end of each day by either sweeping or brushing the installed roof and other surfaces.

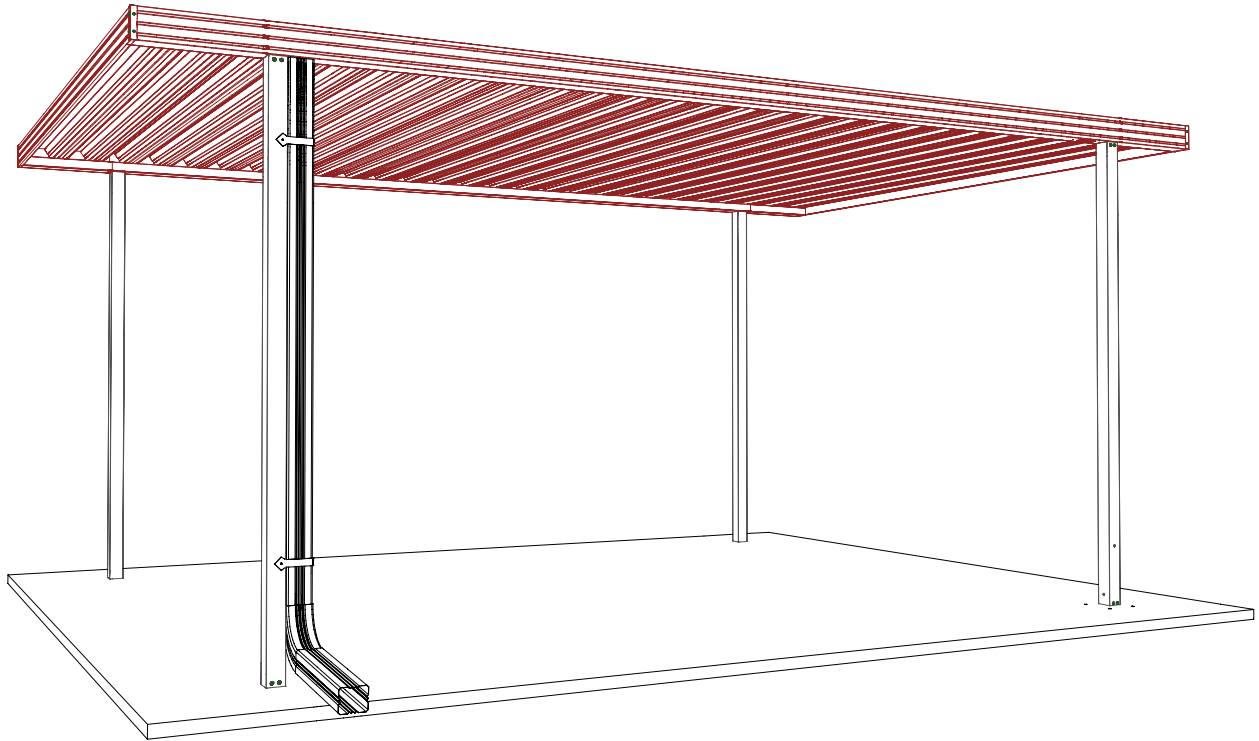
1. It is **EXTREMELY IMPORTANT** that, before setting any anchor bolts, the current footing layout is obtained from the manufacturer and the bolts are accurately set.
 - 1A **Anchor Bolts** are **not** included and must be furnished at time of installation. Consult local building codes and drawings if ordered and furnished.
 - 1B We recommend using **High Quality Stainless Steel Anchor Bolts** in areas with a corrosive climate. Check local building codes.
2. If the shelter is set on a concrete slab (or footings), the slab must be exactly level so that all the posts will be at the exact same elevation when mounted on the slab and anchored down.
3. If the shelter is set on an unlevel surface, it will bolt together if assembled with all bolts loose. When the bolts are tightened, some of the steel joints will have gaps and the unit may not be exactly plumb; however, the strength of the structure will not be affected.
4. In areas with frequent rain, the slab or footing elevation should be at least 1” above the elevation of the surrounding landscaping to prevent water from ponding around the base plate and anchor bolts.
5. In most cases, the anchor bolt nuts should not be tightened completely, until the frame is assembled and squared, and the roof panels have been installed.
6. In all cases, the center to center of roof panel lock spacing, the 24” c/c for the 3-V roof panels, the 10” c/c for the single V panels, and the 18” OR 8” c/c for the flat panels must be maintained as the panels are installed. This spacing must be maintained across both the top and bottom of the panels. **IF THIS IS NOT DONE**, the problems may not show-up until towards the end of the panel installation, when they will not fit properly and appear to be too long or cut wrong. If this happens, go back and check the spacing and re-set if necessary.

7. As is common in the erection of all types of metal structures, due to job site conditions - unlevel slabs, footings, etc., slight modifications such as reaming of some holes or even drilling a new hole or two, may become necessary and must be done on the job site.
8. Installing Tek screws at a high rpm may cause the Tek screws to become damaged or break during installation. If damage or breakage occurs, lower the speed of the drill.
9. Predrilling holes and removing metal shavings and debris from between components before fastening together will help prevent any rusting or staining of surrounding surfaces.
10. After assembly of the gutter is complete, be sure to drill holes in the gutter at the desired locations and install scuppers or downspouts.
11. Touch up paint has been supplied with your shelter to cover minor scratches or bolt and screw heads to give your shelter that finished look. Use a template for touch up painting to achieve a good finish and minimize over spray.

ALGONQUIN SHELTER INSTALLATION INSTRUCTIONS

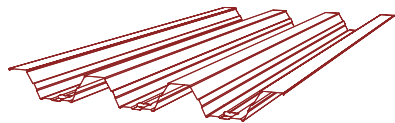
NOTE:

If drawings ordered and supplied for this unit, refer to those for exact details and special notes.

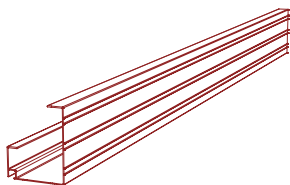


Recommended Tools: Safety Glasses, Tape Measure, Carpenters Level, Framing Square, Hex Head Nut Drivers, Chalk Line Elec. Drill w/ Bits (Masonry Drill, Bits. & Anchors maybe required if securing to Stone, Concrete, or any other masonry unit.)

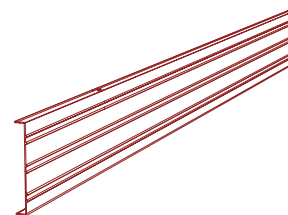
- Before You Begin:**
- 1.) Please read all instructions carefully. Check the Bill of Materials for any missing parts, and gather necessary tools. To prevent scratching of painted materials, place on a tarp, paper, or protective material.
 - 2.) It is recommended that this unit be sloped to the desired area of drainage as listed. Adherence to these recommendations will expedite the removal of snow and water. Therefore, minimizing or eradicating possible leaks or overloading.
 - 3.) All points of anchoring must be done properly to provide a strong firm hold against the elements. All fasteners pertaining to the product must be installed per the instruction sheet. Securely fasten post or column brackets with an appropriate anchoring method; and secure post or column to the product and base mounting bracket.
 - 4.) It is entirely up to the contractor/installer to check and provide a suitable surface to mount the product. Conditions and building codes vary around the country. Some products have built in allowance and some may not - Consult our office.
 - 5.) Note that this Carport Kit is not designed to carry additional loads such as hanging heavy plants, swings, people, or other objects.



1. Roof Panel



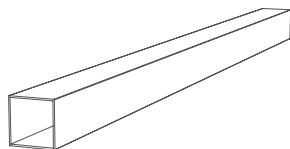
2. Gutter



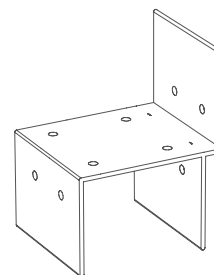
3. Projection Fascia



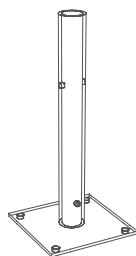
4. Corner Cap



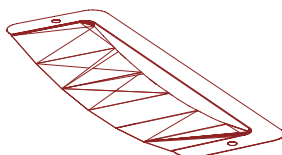
5. 3" Sq. Post



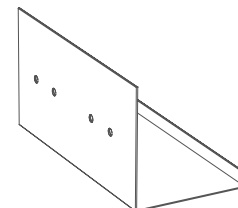
6. Post Mtg. Bracket



7.) Heavy Duty Mounting Bracket
(Optional)



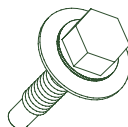
8. Scupper



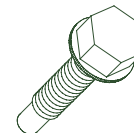
9. Gutter Splice (Optional)



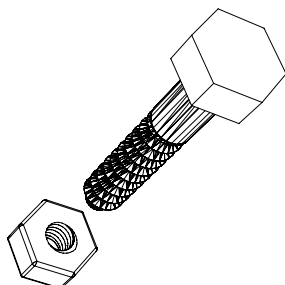
10. Downspout Kit. (Optional)



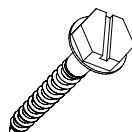
11. #10 x 3/4" Screw



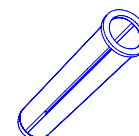
12. #8 x 1/2" Screw



13. 3/8" x 3 1/2" Bolt w/ Nut



14. Lag Bolt



15. Lag Bolt Insert

STEP 1

If the Gutter is in two sections evenly insert the gutter splice into the ends of two gutters and fasten with #8 x 3/4" Tek Screws as shown (see Fig 1-1). Apply silicone to all outer faces of the gutter splice. Note: Be sure to place a post under splice. Secure the post mounting bracket to the bottom of the gutter w/ 4 - #14 x 3/4" Tek Screws (see Fig. 1-2).

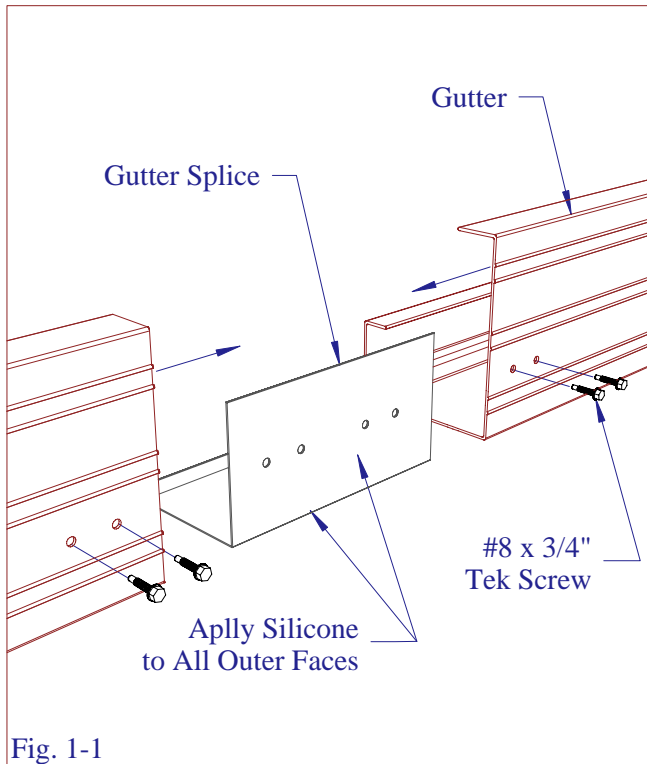


Fig. 1-1

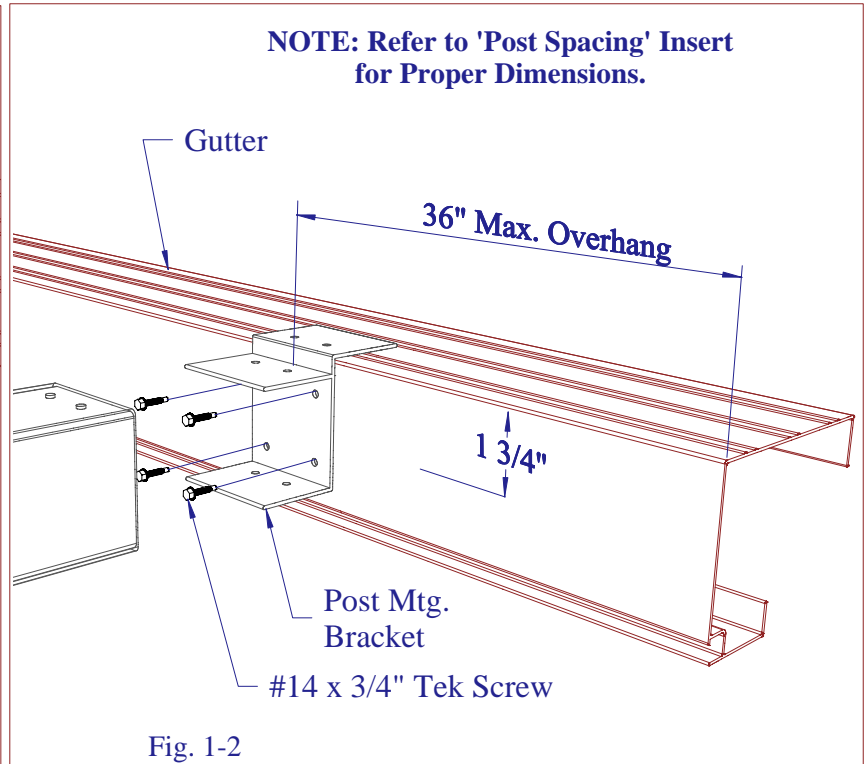


Fig. 1-2

STEP 2

Anchor the 3" Sq. Post to the post mounting bracket on the gutter using 4 - #14 x 3/4" Tek Screws as shown in Fig. 2-1. Determine the best location for the shelter and using a chalk line snap an outline of the width & projection. Subtract the overhang from the width & subtract 3 1/2" from the projection to determine the centerline of the post (see Fig. 2-2).

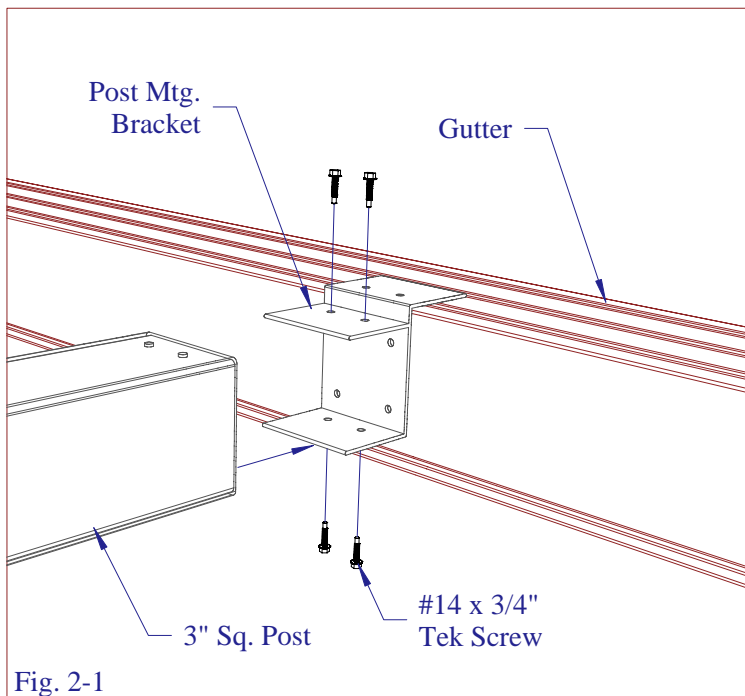


Fig. 2-1

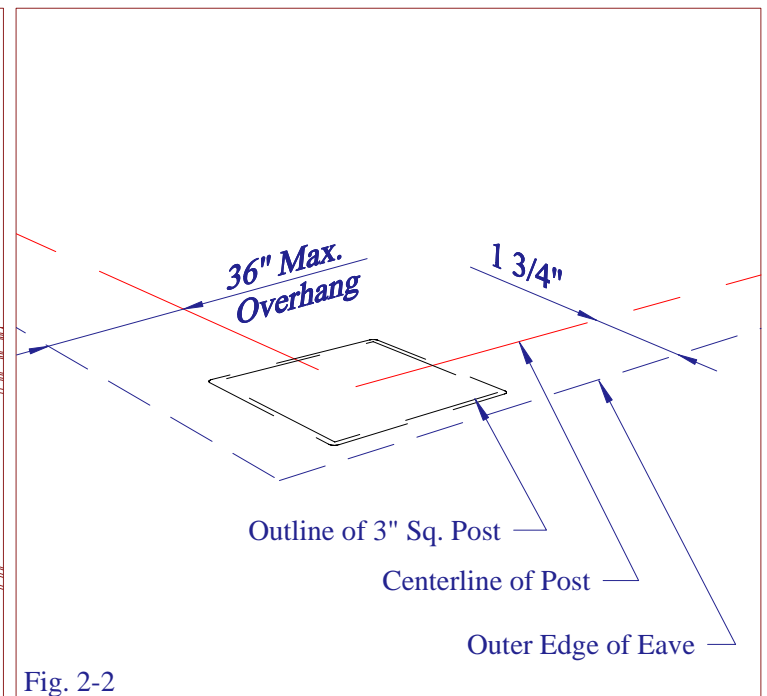
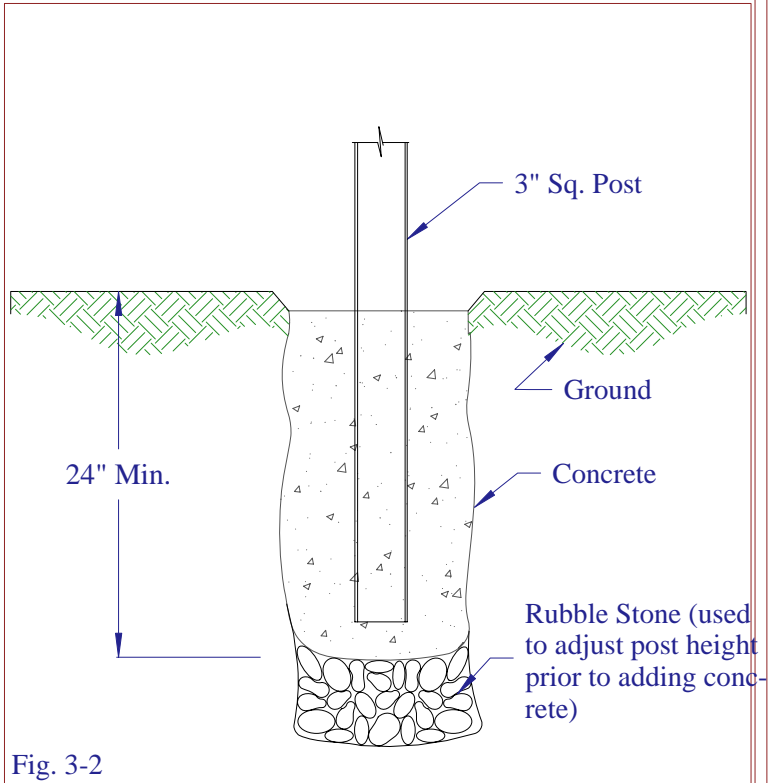
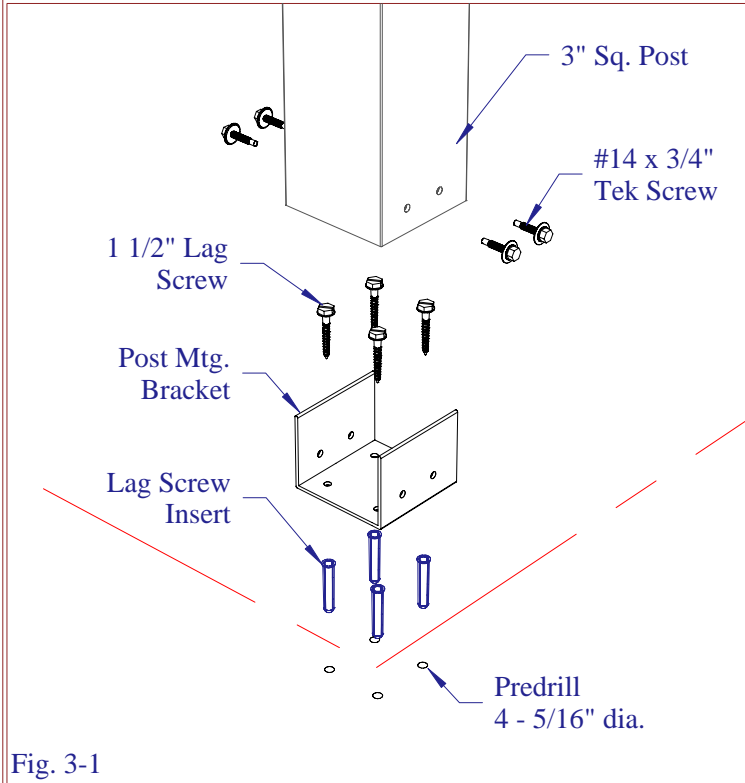


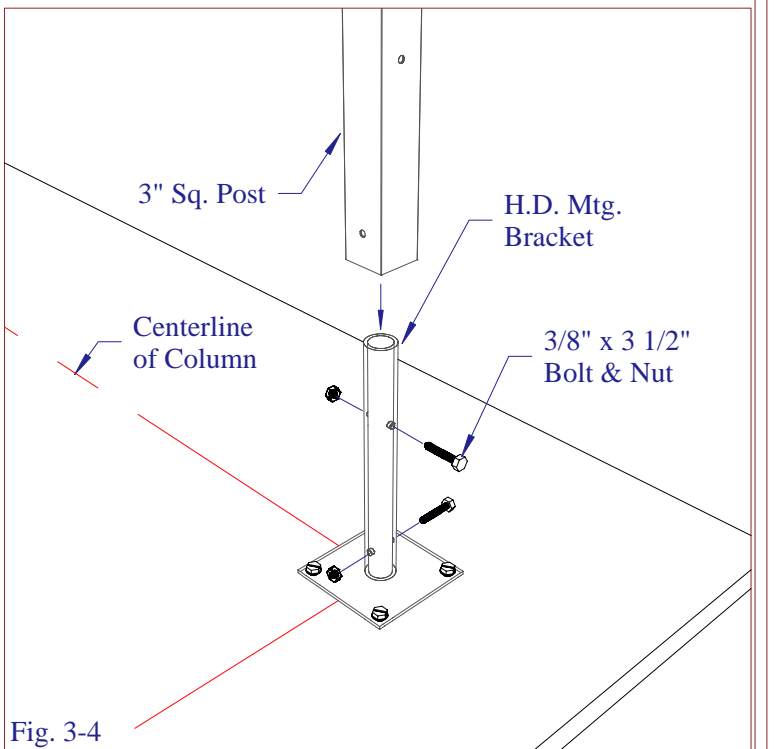
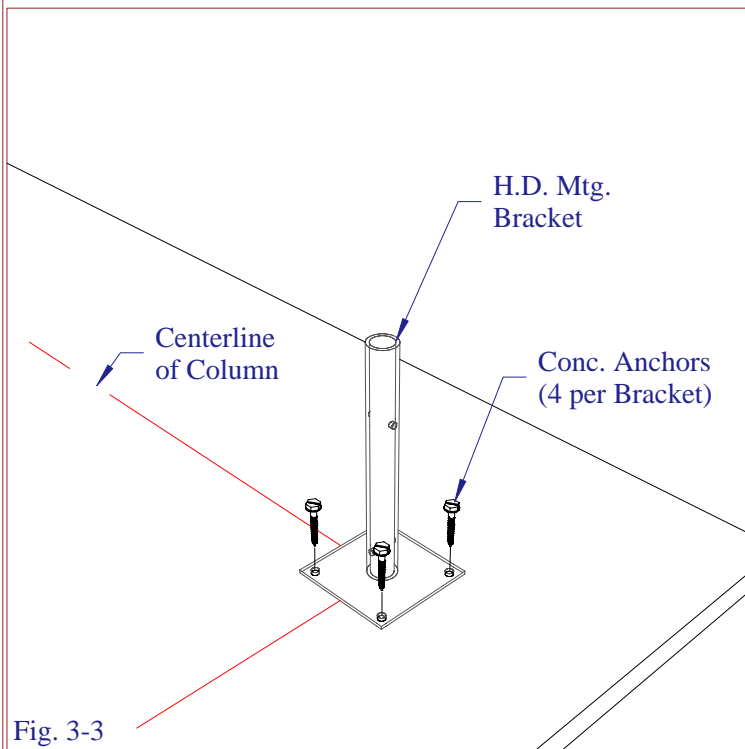
Fig. 2-2

STEP 3

Depending upon the available surface or local building codes there are a few post mounting options. If your shelter has standard lower mounting brackets just anchor them at the intersection of two centerlines drill 4 - 3/8" dia Holes and embed 4 - Lag bolt Inserts. Now, with 4 - 1 1/2" Lag Bolts attach brackets to concrete and attach post to bracket with 4 - #10 x 1 1/4" Tek Screws (see 3-1 Fig).

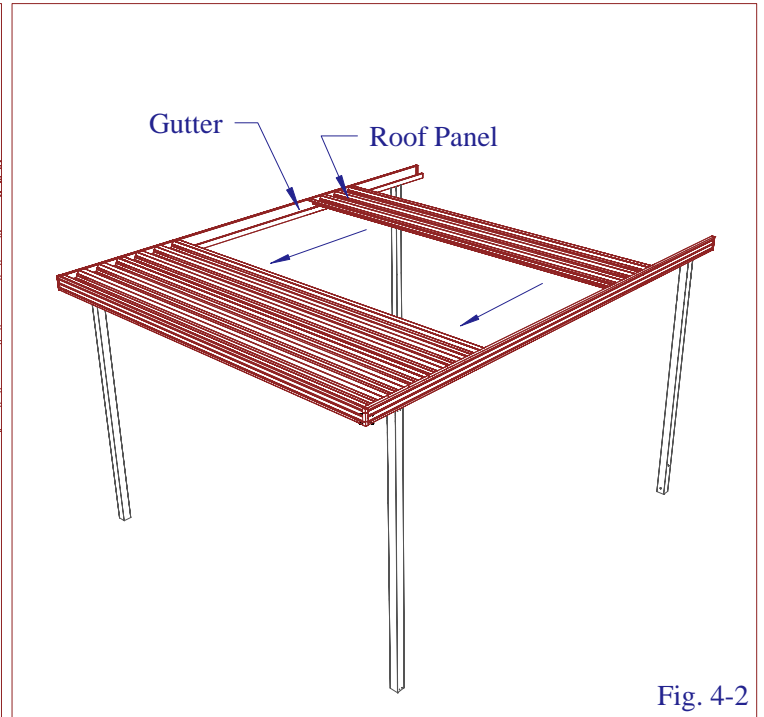
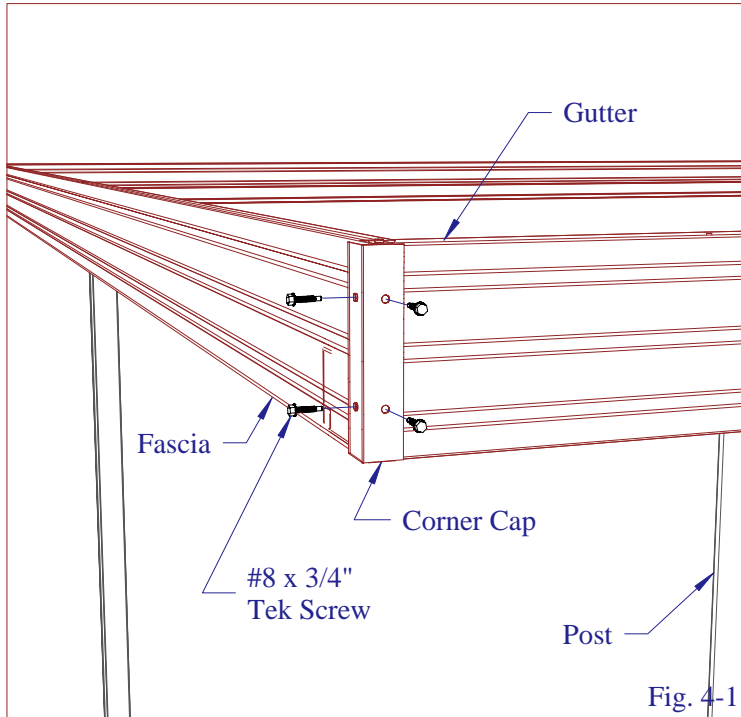


If you plan to bury your post start by digging a hole approximately 12" in dia. x 30" deep. Place rock 6" deep in bottom of hole and drop 3" post in. (NOTE: Be Sure there is 8'-0" of post above ground.) Fill hole with a pre-mix of cement, agragete, and water. Check post on all sides with a carpenters level to make sure it is plum with the ground (see Fig 3-2). For Heavy Duty Mounting Brackets simply secure to the slab using 4 - Conc Anchors (not provided) & attach post with 2 - 3/8" x 3 1/2" bolts, nuts & washers (see Fig's 3-3 & 4).



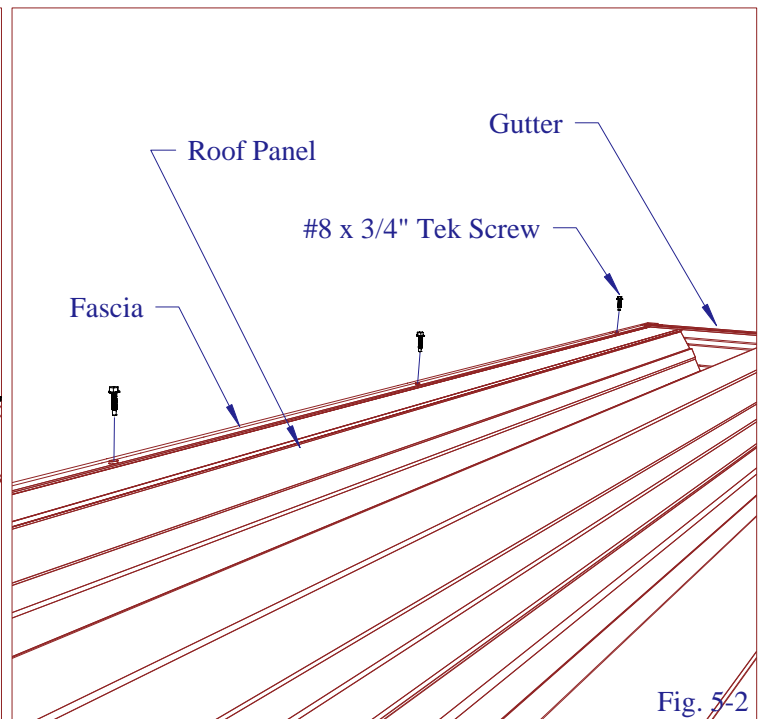
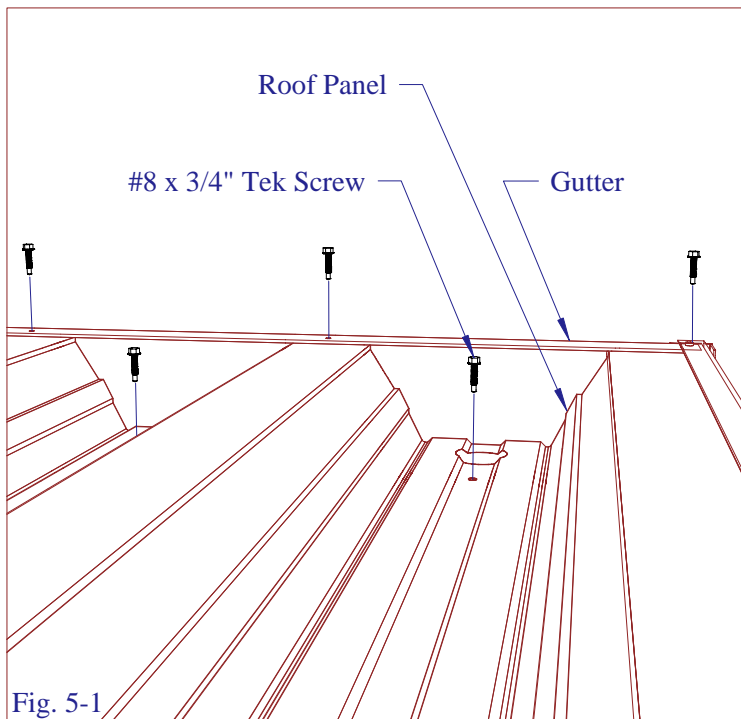
STEP 4

Hoist one piece of fascia into place and secure the fascia to the gutter through a corner cap using 4 - #8 x 3/4" Tek Screws (see Fig 4-1). **NOTE: Do Not tighten screws until entire unit is squared.** Slide the roof panels into position and lock together from the open end of the shelter (see Fig 4-2). Once all panels are set in position anchor the second piece of fascia to the gutter as shown in Fig. 4-1. Be sure the assembly is square and tighten all screws.



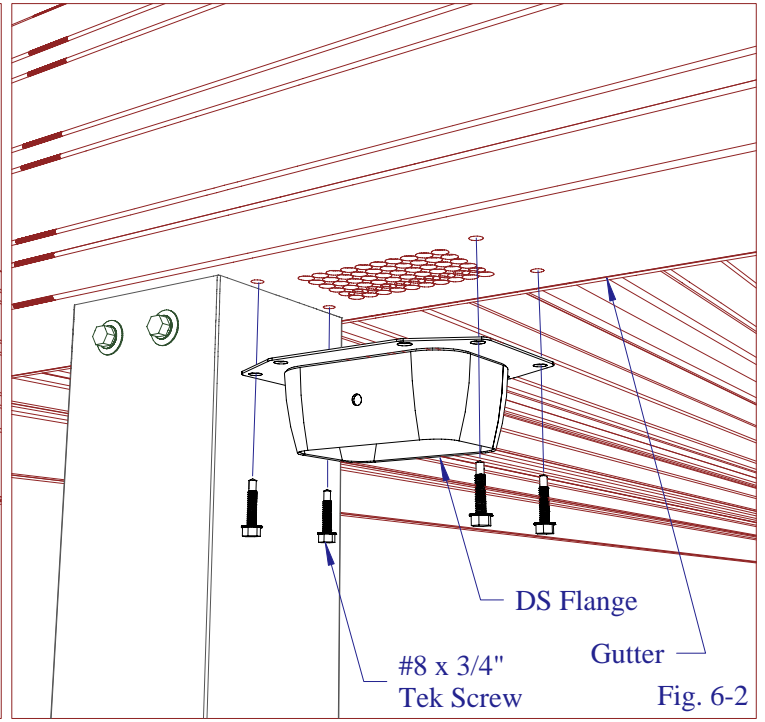
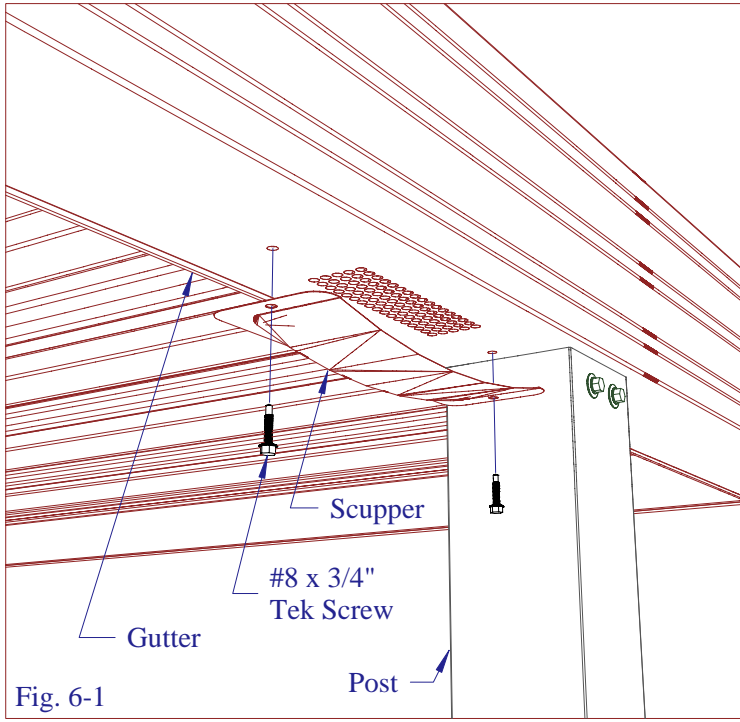
STEP 5

Once the unit is properly squared fasten the roof panels to the gutter with #8 x 3/4" Tek Screws at approximately 4" O.C. (see Fig 5-1). Secure the fascia to the roof panels using #8 x 3/4" Tek Screws at 24" O.C. beginning 2" from the end (see Fig. 5-2).



STEP 6

Determine where you want the water to run from the unit. Mark and drill several small holes in the bottom of the gutter forming a pattern no bigger than 2" x 3". Apply silicone to the flange of the scupper and attach to gutter with 2 - #8 x 3/4" Tek Screws covering the holes (see Fig 6-1). If you acquired the optional downspout apply silicone to the downspout flange, cover the hole pattern, & attach to gutter with 4 - #8 x 3/4" Tek Screws (see Fig. 6-2).



STEP 7

Cut the downspout (DS) tube to desired length and secure to neck of DS flange w/ #8 x 3/4" Tek Screw. Strap the DS tube to the post using 3 - #8 x 3/4" Tek Screw (see Fig 7-1). Insert the tube into the elbow and insert the elbow into the remainder of the tube, secure as shown in Fig. 7-2.

