

*Before You Begin:*

- 1) Please read all instructions and notes carefully. Check the Parts List or Bill of Materials for any missing parts and gather necessary tools. To prevent scratching of painted materials, place on a tarp, paper, or other protective material.
- 2) You may be required to obtain a building permit for this structure from your local building authority. Contact your local building department for details.
- 3) Note that this shade structure is not designed to carry additional loads such as hanging heavy plants, swings, people, or other objects.

*Recommended Tools:*

Safety Glasses, Tape Measure, Carpenters Level, Framing Square, Hex Head Nut Drivers, Chalk Line, Electric Drill w/ Bits, Pliers, Metal Hack Saw, Silicone Caulking, Regular and Phillips Screw Drivers

*Note on Masonry Units:*

If securing to stone, concrete, or other masonry unit, a masonry drill and bits may be required. You may also be required to purchase masonry anchor bolts, as the 1-1/2" lag screws provided will not be sufficient.

*Note on Electric Drills:*

We recommend lowering the speed of your drill during this installation. Installing Tek screws at a high rpm may cause the Tek screws to become damaged or break during installation.

*Note on Caulk and Sealing:*

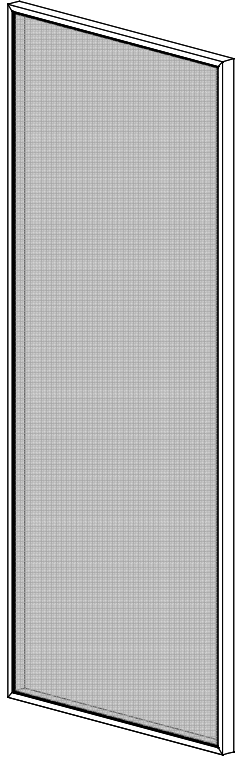
We strongly recommend using a high grade sealant, such as our 100% Silicone Caulk and Sealant. Caulking should be applied uniformly without skips. A poor caulking job can cause leaks.

*Note on Cutting and Drilling:*

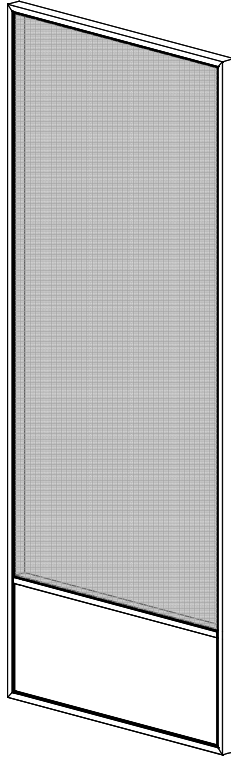
Cutting and drilling will cause metal shavings. These shavings must be carefully removed by sweeping or brushing. If this is not done, the metal shavings will quickly rust and stain the surface finish.

## SCENIC VUE ROOM ENCLOSURE PARTS LIST

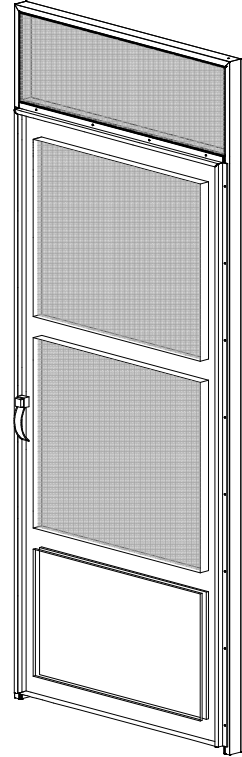
Contact us at:  
1-800-851-0865 or  
[www.americana.com](http://www.americana.com)



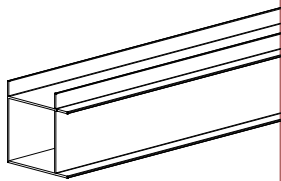
1. Wall Section Assembly  
(shown without optional kickpanel)



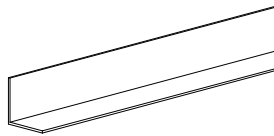
2. Wall Section Assembly  
(shown with optional kickpanel)



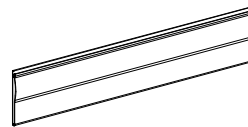
3. Door Section Assembly  
(shown with upper wall section)



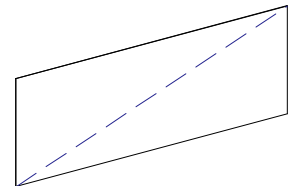
4. 2" x 2" Corner Post  
Part Code: 11203



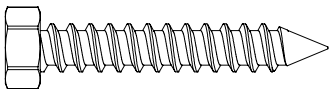
5. 1" x 1" Mounting Angle  
Part Code: 11404



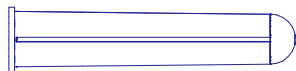
6. Gable Filler V-Channel  
(w/ Yukon Roof Package only)  
Part Code: 60409



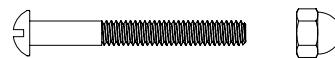
7. Gable Filler Panel  
(w/ Yukon Roof Package only)  
Part Code: 10116



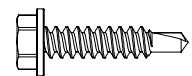
8. 1/4" x 1-1/2" Lag Screw  
Part Code: 20423



9. Lag Screw Insert  
Part Code: 20835



10. 1/4" x 2-1/4" Mach. Screw  
and Acorn Nut  
Part Code: 20752 & 20543



11. #8 x 3/4" HWH  
#2 Tek Screw  
Part Code: 20123

## STEP 1

-Before beginning installation, measure the width of each wall section and cut a spare wood board to fit across the center of each section as a temporary brace. Leave the temporary braces in place until the entire screen room has been assembled. This will keep the screen tight and prevent wrinkles from forming during installation.

-Using a chalk line, layout the dimensions of the room. If drawings were received with your order, use those as the guide.

-Starting 2" above the bottom of the room, drill 5/16" holes approximately 24" on center in the existing structure and place a lag screw insert in each hole. Pre-drill holes in the mounting angle to match.

NOTE: Room must be anchored to wall stud or other structural member. Do not attach to sheeting, siding, flashing, or any other non-structural surface. Lag screw insert not required when attaching to wood wall studs.

-Anchor one row of mounting angle to the existing structure outside the chalk lines using 1/4" x 1-1/2" lag screws (see Fig. 1-2).

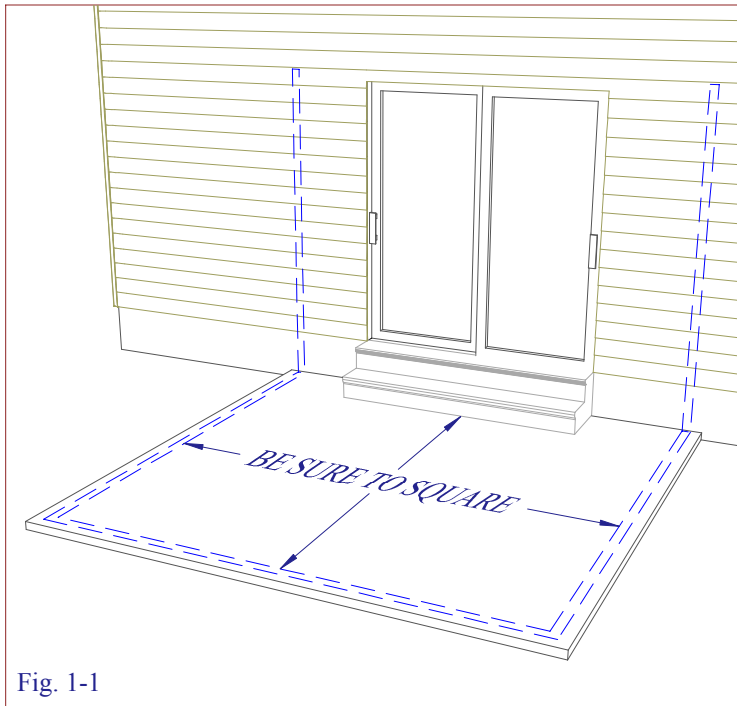


Fig. 1-1

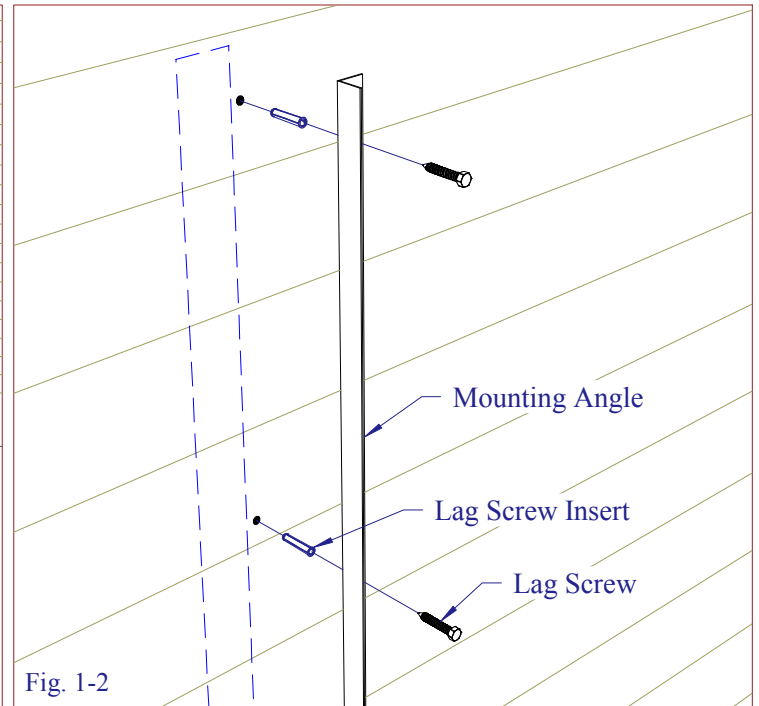


Fig. 1-2

-Layout one row of lower mounting angle outside the chalk lines and plumb with the mounting angle on the existing structure.

-Determine the location of the door section and cut out the mounting angle at that location. (See Fig. 1-3)

-If using the 2" square corner post, also cut out approximately 2-3/4" square section at each corner.

-If attaching wall sections between existing posts or columns, miter cut the end of each mounting angle for cleaner corners.

-Beginning 2" from either end, drill 5/16" holes through the mounting angle and the concrete pad on 24" centers.

-Place a lag bolt insert into each hole in the concrete pad and anchor the mounting angle using 1/4" x 1-1/2" lag screws as before (see Fig. 1-4).

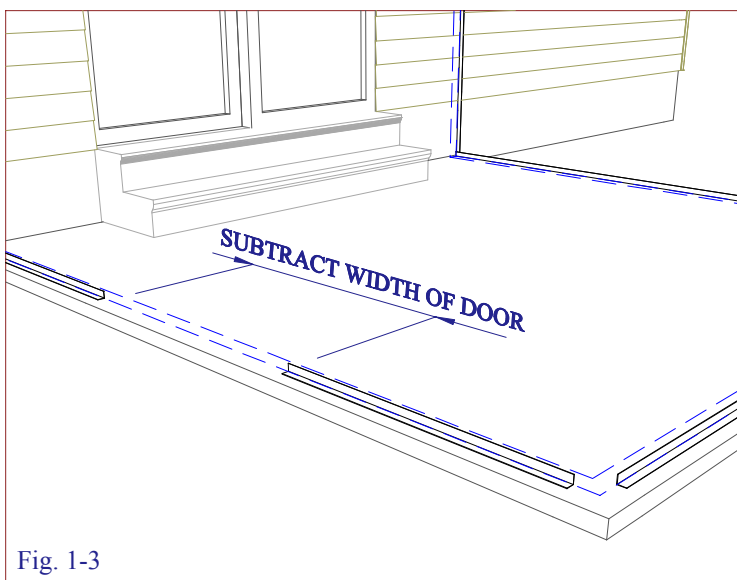


Fig. 1-3

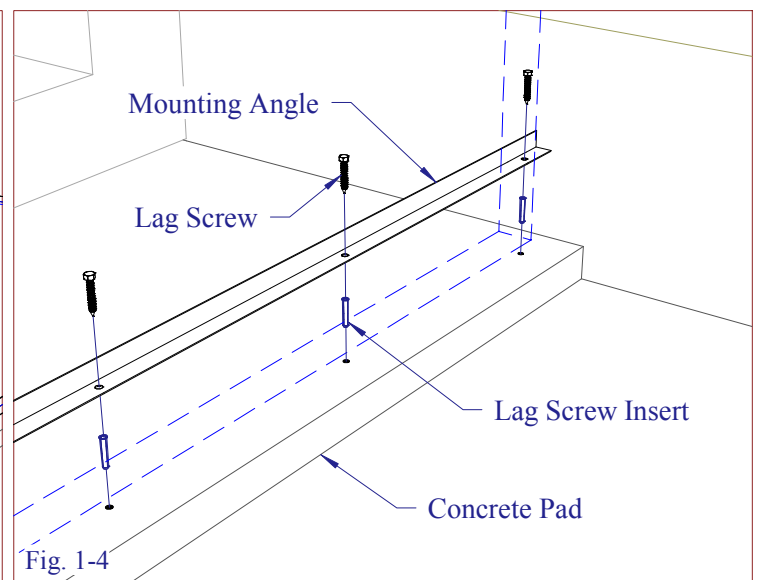
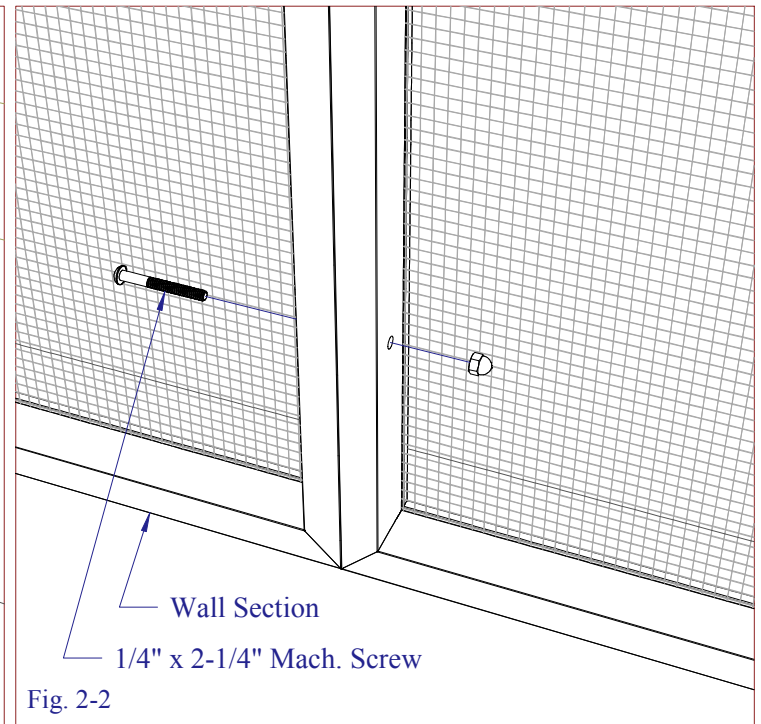
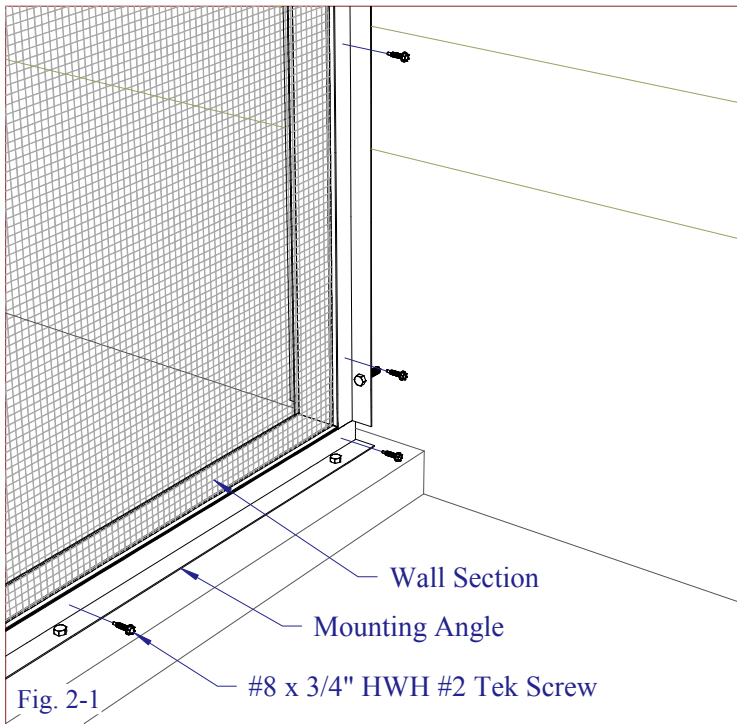


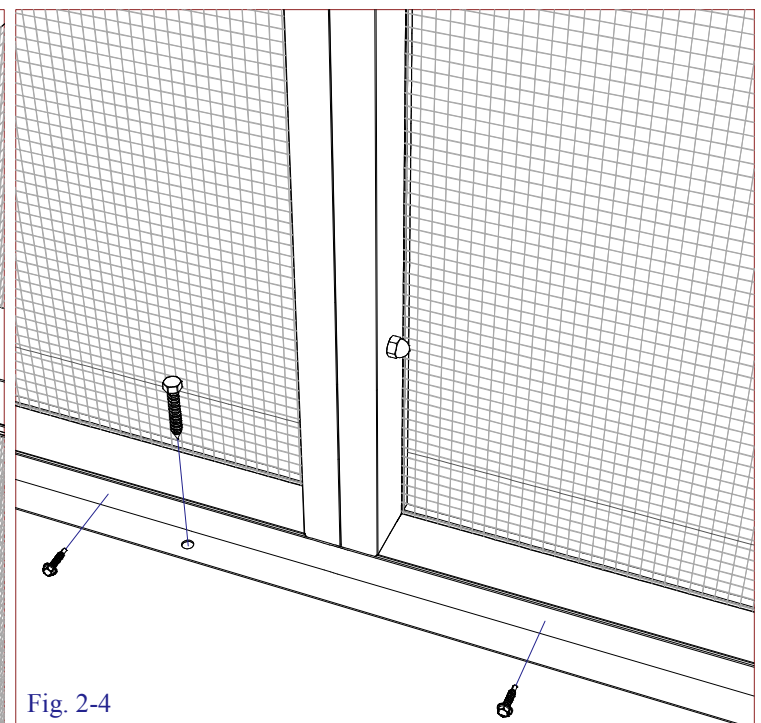
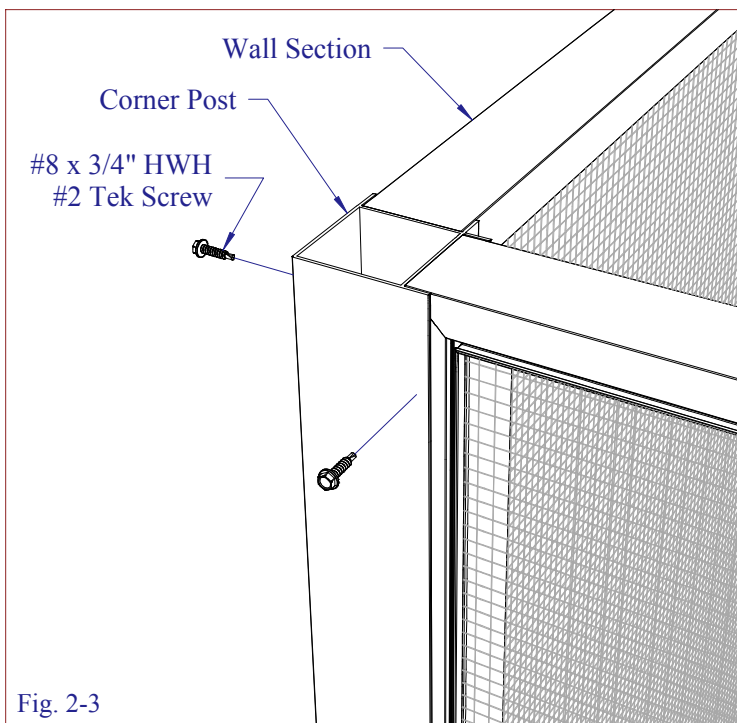
Fig. 1-4

## STEP 2

- After the outside row of mounting angle is secured on all sides, position the wall sections next to the mounting angle.
- Temporarily clamp the wall sections in place while attaching each section to the mounting angle using #8 x 3/4" HWH #2 Tek screws at 16" on center (see Fig. 2-1).
- Secure the wall sections to each other by drilling 3 holes in each adjacent frame at the top, middle, and bottom and fasten with 1/4" x 2-1/4" machine screw and acorn nut as shown in Fig. 2-2.

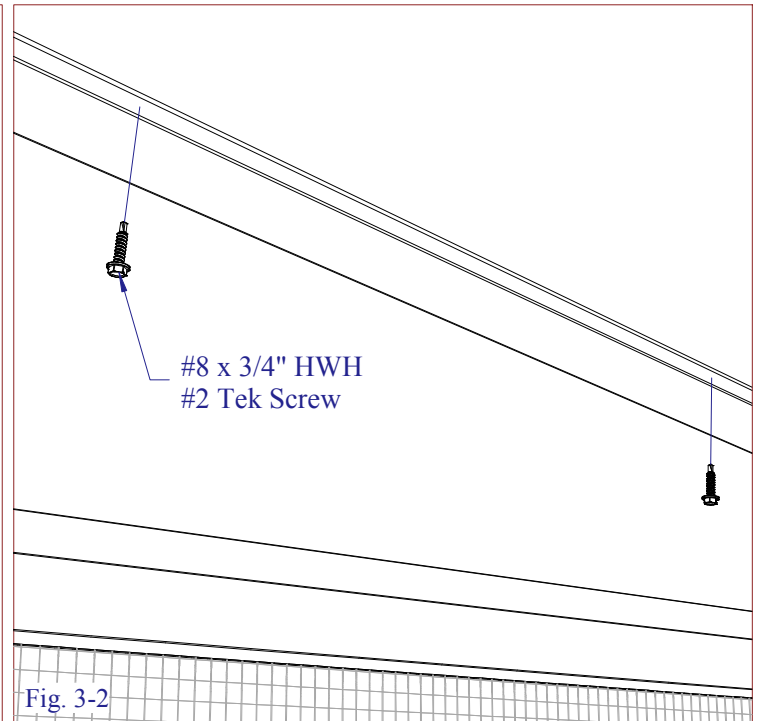
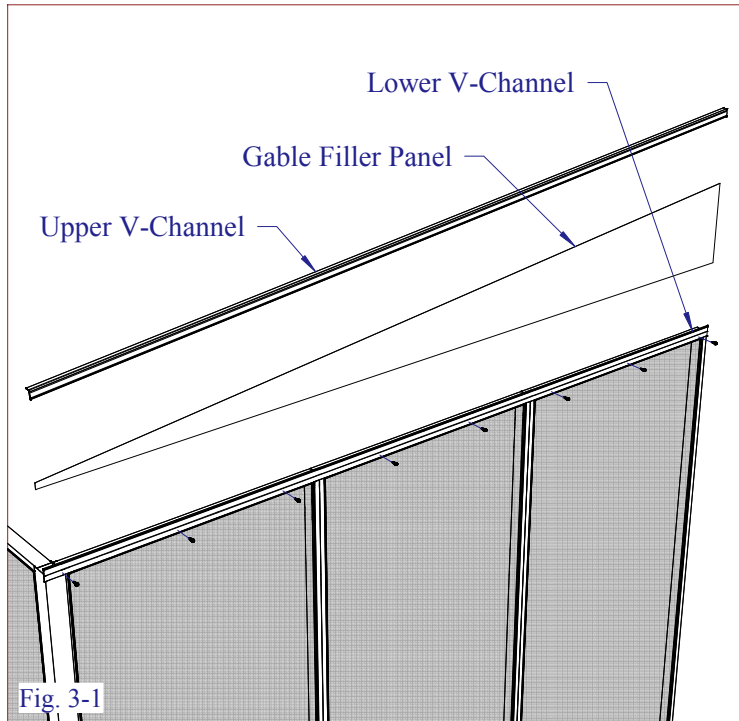


- If using the 2" square corner post, position at the required corner and attach the flanges of the post to the adjacent wall section using #8 x 3/4" HWH #2 Tek screws at 16" on center from both sides (see Fig. 2-3).
- Repeat these steps until all wall sections are erected and secure.
- Once the room is fully assembled, repeat Step 1 to install the inside row of mounting angle. (See Fig. 2-4)



### STEP 3 (Optional Filler Installation)

- If you ordered the Yukon roof package to cover the screen room, install the roof according to the separate instructions. The roof panels attach directly to the wall sections with #14 x 4" HWH #3 Tek screws.
- Once the roof is installed, measure the gap between the bottom of the roof and the top of the screen room. Cut the required material for both ends of the room from the gable filler panel.
- Place gable filler V-channel on top and bottom of the gable filler panel.
- Position the assembly on either end of the room and attach the lower V-channel to the wall sections using #8 x 3/4" HWH #2 Tek screws at 16" on center. (See Fig. 3-1)
- From inside the screen room, attach the upper V-channel to the underside of the roof using #8 x 3/4" HWH #2 Tek screws at 16" on center. (See Fig. 3-2)



### ASSEMBLY COMPLETED

*Other Products Available from AMERICANA BUILDING PRODUCTS:*

Fabric Window Awnings, Aluminum Patio Covers and Window Awnings, Glass Enclosures, Screen Enclosures, Park Shelters, Aluminum Railings and Columns, Retractable Fabric Awnings, and More