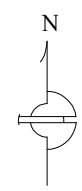
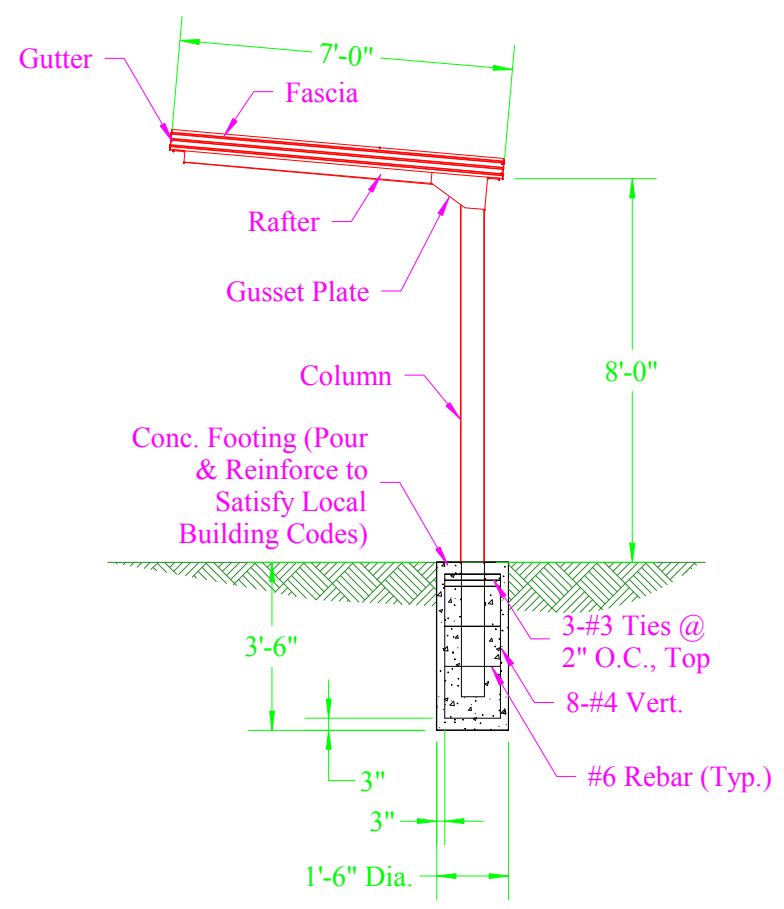


PLAN VIEW
SCALE: 1/4" = 1'-0"

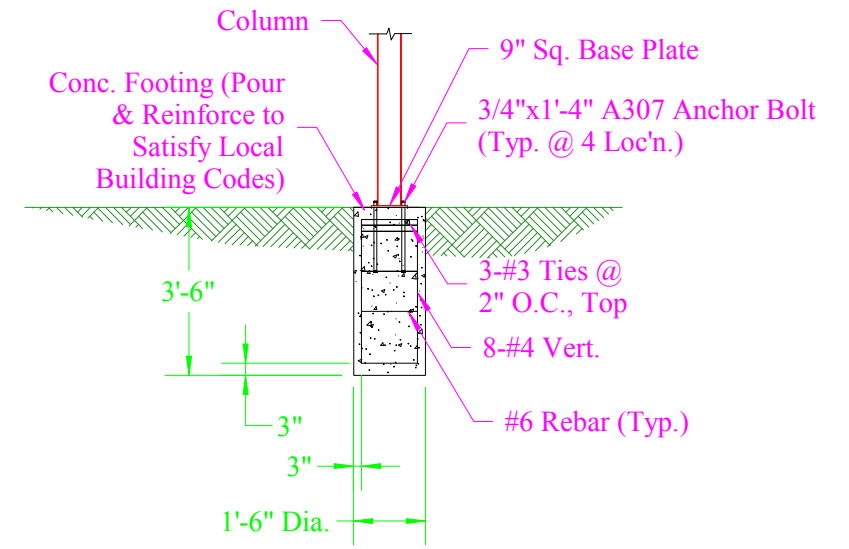


GENERAL NOTES:

- 1.) Roll formed structural roof panels 24" W-shaped 2-1/2" deep ribs on 8" center, watertight snap-lock connection. Available in stucco embosses 3105 H145 aluminum or Gavvalume ASTM A792 Grade 50.
- 2.) Fascia: Aluminum alloy 6063 T5 or 6105 T5 extruded gutter and trim fascia and ridge cap are supplied with all shelters.
- 3.) Decking Fasteners: #8-18x3/4" #2 Tek 410SS and #12x3/4" #3 Tek zinc plated Hex washer head screws are included for fastening fascia and roof panels.
- 4.) Steel conforms to ASTM A36 or ASTM A500 or equivalent specifications.
- 5.) Columns: Manufactured from rectangular tubing 3"x4"x3/16" or 3"x5"x3/16". Standard column is designed for in-ground mounting. Optional: Surface mount is available.
- 6.) Rafter: Structural steel tubing 3"x3"x1/8".
- 7.) Ridge, Rafters and Column Plates: Constructed of 3/16" steel.
- 8.) Finish: All components are cleaned with a 3-stage iron phosphate wash and an acid rinse/sealer. Components are sprayed with a high quality UV resistant urethane/polyester (TGIC) powder finish and baked/cured at 400 degrees F (Galvanizing optional).
- 9.) Frame Fasteners: Steel 1/2"x1-3/4" or 1/2"x4-1/2" bolts are supplied for all shelters.
- 10.) Bolts, nuts and washers are hot dipped-galvanized and conform to ASTM A307.
- 11.) Complete detailed installation instructions and assembly drawings are supplied with each shelter.
- 12.) Shelters are pre-drilled for easy installation. The structural steel frame is fully fabricated to eliminate the need for drilling, cutting or welding on site. Structure shall be supplied with all the necessary hardware and complete instructions for efficient on-site assembly.



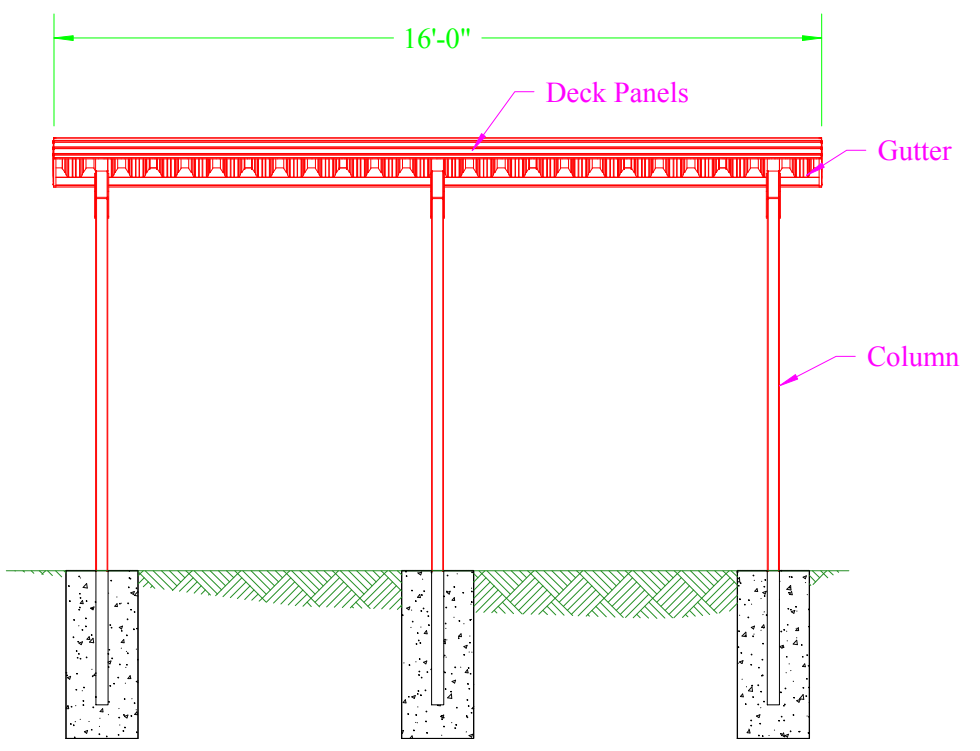
SIDE ELEVATION & FOOTING DETAIL
IN-GROUND MT'G.



FOOTING DETAIL
OPTIONAL SURFACE MT'G.

- NOTE:**
- Shown footing conforms to #20 snow load & 90 mph wind ratings.
 - Reinforce and pour footing as to satisfy local building codes.
 - Owner to verify soil conditions at each job site.
 - Drawings are NOT intended for use in construction. Consult Manufacturer for detailed shop drawings.
 - Details shown here may not reflect actual delivery.

NOTE: Drawings for estimating use only.
NOT INTENDED FOR CONSTRUCTION USE.



FRONT ELEVATION
SCALE: 1/4" = 1'-0"

AMERICANA BUILDING PRODUCTS			
#2 Industrial Dr. - Salem, IL 62881			
(800)851-0865 www.americana.com			
TITLE			
7' x 16' SHAWNEE SHELTER			
SIZE	DRAWN BY	DWGNO	REV
11x17	JDS	A100	
SCALE	DATE	SHEET	1 of
As Noted	05/05/08	1	