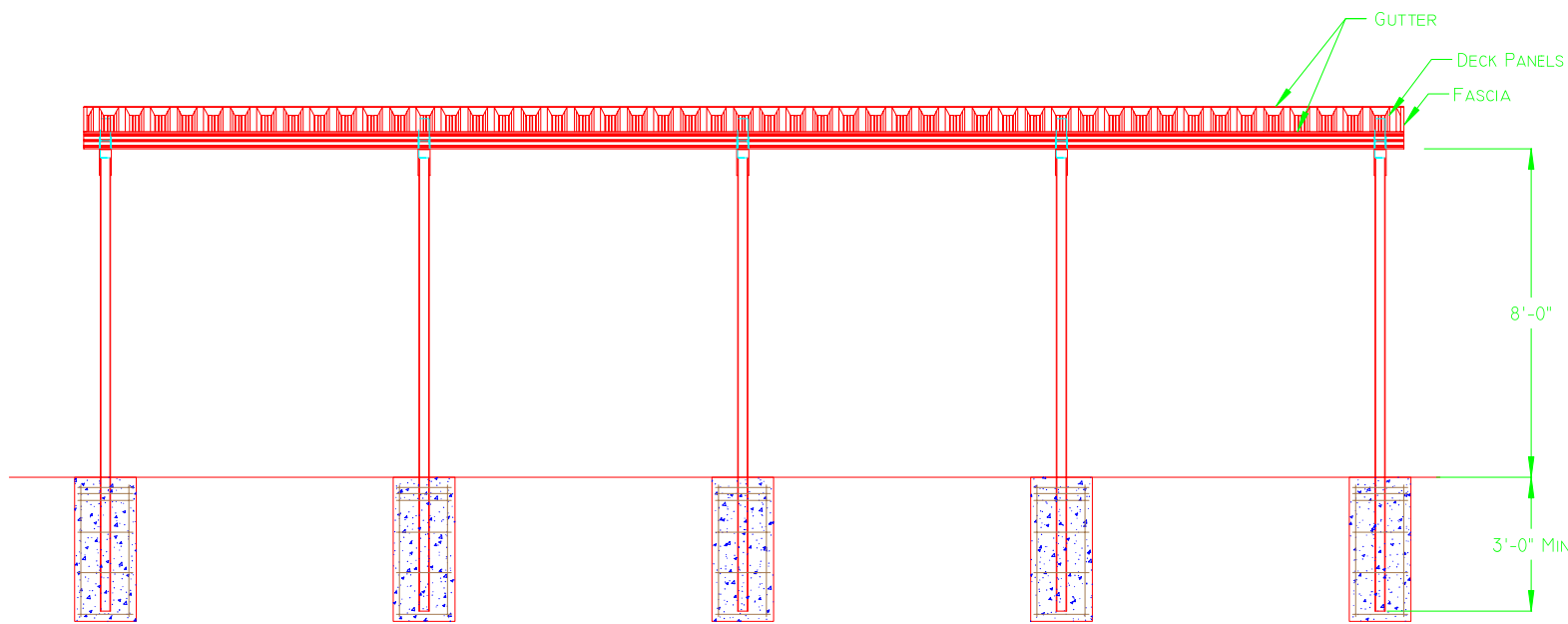


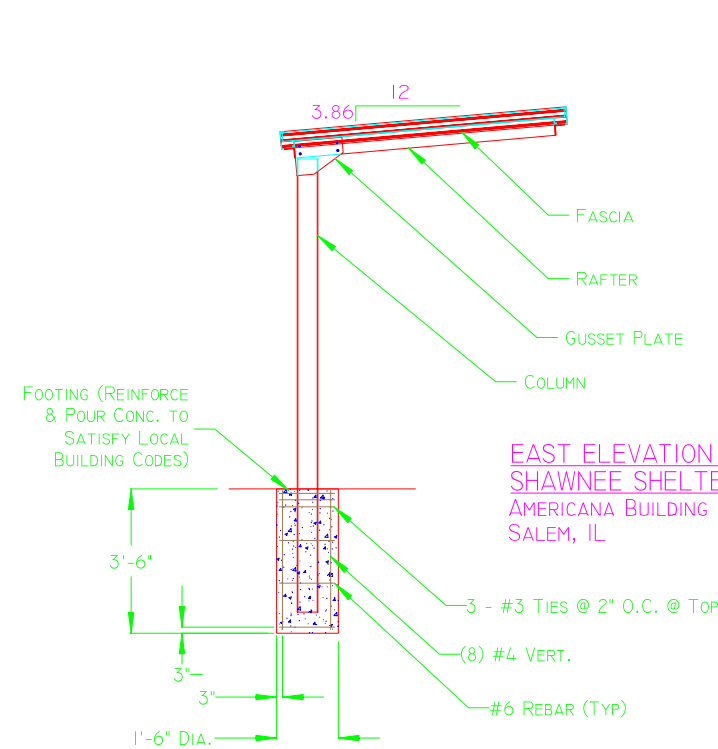
PLAN VIEW - SHAWNEE SHELTER
AMERICANA BUILDING PRODUCTS - SALEM, IL

SHAWNEE GENERAL NOTES:

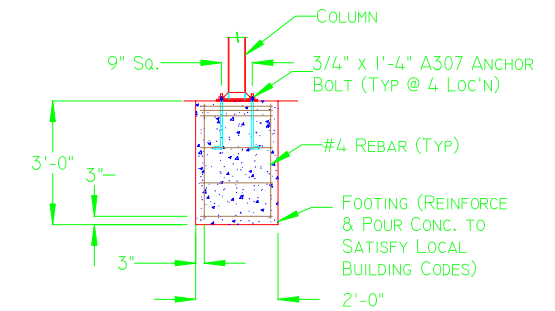
- 1.) ROLL FORMED STRUCTURAL ROOF PANELS: 24" WIDE, W-SHAPED 2- 1/2" DEEP RIBS ON 8" CENTERS, WATERTIGHT SNAP-LOCK CONNECTION. AVAILABLE IN STUCCO EMBOSSES 3105 HI45 ALUMINUM, OR GALVALUME® ASTM A792 GRADE 50.
 - 2.) FASCIA: ALUMINUM ALLOY 6063 T5 OR 6105 T5 EXTRUDED GUTTER AND TRIM FASCIA AND RIDGE CAP ARE SUPPLIED WITH ALL SHELTERS.
 - 3.) DECKING FASTENERS: #8-18 x 3/4" #2 TEK 410SS AND #12 x 3/4" #3 TEK ZINC PLATED HEX WASHER HEAD SCREWS ARE INCLUDED FOR FASTENING FASCIA AND ROOF PANELS.
 - 4.) STEEL CONFORMS TO ASTM A36 OR ASTM A500 OR EQUIVALENT SPECIFICATIONS.
 - 5.) COLUMNS: MANUFACTURED FROM RECTANGULAR TUBING 3' x 4" x 3/16" OR 3" x 5" x 3/16". STANDARD COLUMN IS DESIGNED FOR IN-GROUND MOUNTING. OPTIONAL: SURFACE MOUNT IS AVAILABLE.
 - 6.) RAFTER: STRUCTURAL STEEL TUBING, 3" x 3" x 1/8".
 - 7.) RIDGE, RAFTERS AND COLUMN PLATES: CONSTRUCTED OF 3/16" STEEL.
 - 8.) FINISH: ALL COMPONENTS ARE CLEANED WITH A 3-STAGE IRON PHOSPHATE WASH AND AN ACID RINSE/SEALER. COMPONENTS ARE SPRAYED WITH A HIGH QUALITY UV RESISTANT URETHANE/POLYESTER (TGIC) POWDER FINISH AND BAKED/CURED AT 400° F. (GALVANIZING OPTIONAL).
 - 9.) FRAME FASTENERS: STEEL 1/2" x 1-3/4" OR 1/2" x 4-1/2" BOLTS ARE SUPPLIED FOR ALL SHELTERS. BOLTS, NUTS AND WASHERS ARE HOT DIPPED-GALVANIZED AND CONFORM TO ASTM A307.
 - 10.) COMPLETE DETAILED INSTALLATION INSTRUCTIONS AND ASSEMBLY DRAWINGS ARE SUPPLIED WITH EACH SHELTER.
- II.) SHELTERS ARE PRE-DRILLED FOR EASY INSTALLATION. THE STRUCTURE STEEL FRAME IS FULLY FABRICATED TO ELIMINATE THE NEED FOR DRILLING, CUTTING OR WELDING ON SITE. STRUCTURE SHALL BE SUPPLIED WITH ALL NECESSARY HARDWARE AND COMPLETE INSTRUCTIONS TO PROVIDE FOR EFFICIENT AN-SITE ASSEMBLY.



SOUTH ELEVATION - SHAWNEE SHELTER
AMERICANA BUILDING PRODUCTS - SALEM, IL



EAST ELEVATION - SHAWNEE SHELTER
AMERICANA BUILDING PRODUCTS - SALEM, IL



OPTIONAL SURFACE MT'G
DETAIL (SHAWNEE)

NOTE:
-SHOWN FOOTING CONFORMS TO #20 SNOW LOAD & 90 MPH WIND RATINGS
-REINFORCE & POUR FOOTING AS TO SATISFY LOCAL BUILDING CODES
-OWNER TO VERIFY SOIL COND. @ EA. JOB SITE
-DRAWINGS NOT INTENDED FOR USE IN CONSTRUCTION, CONSULT MANUF. FOR DETAILED SHOP DRAWINGS
-DETAILS SHOWN HERE MAY NOT REFLECT ACTUAL DELIVERY

AMERICANA BUILDING PRODUCTS #2 INDUSTRIAL DR. - SALEM, IL 62881 (800)851-0865 WWW.AMERICANA.COM			
TITLE 7'-0" x 32'-0" SHAWNEE SHELTER			
SIZE 11x17	DRAWN BY: JD	DWG NO	REV A
SCALE NTS	DATE 04/20/06	SHEET 1 of	