



Outstanding Protection

Americana awnings let in light, yet shut out heat. Rooms stay cool by shading the hot sunny windows.

Environmentally friendly with energy savings

A properly installed awning can reduce heat gain in your home up to 65 percent on southern windows and as much as 77 percent on eastern and western windows. See size recommendations below.

Longer Life

Due to being made of high quality aluminum, Americana awnings never rust or lose their lustrous appearance.

Styles

- Aluma Vue awnings offer open horizontal panels
- Aluma Line awnings offer closed horizontal panels
- Aluma Vent - Regular end model awning has louvered sides with vented vertical panels to block heat buildup
- Aluma Vent - Valance end model awning has a trimmed side with vertical panels
- Orleans - Heavy duty steel scrolls create old world charm with Galvalume® steel 18" wide standing seam panel
- Ozark Door Canopy - Contains a built in front gutter to divert water
- Imperial Marquee Canopy - Uses overhead support braces - great for commercial applications

Size

Drop (Depth) - how far down the window an awning should come:

This depends on the angle of the sun and window location.


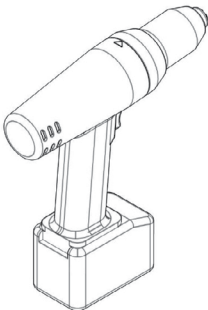
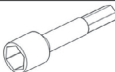

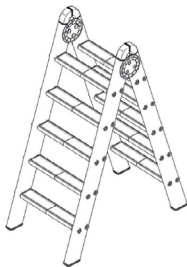
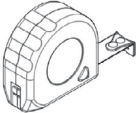
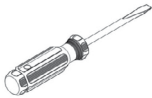
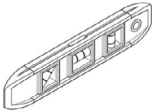
On the east or west side of the house, the awning drop should cover 65%-75% of the window height.

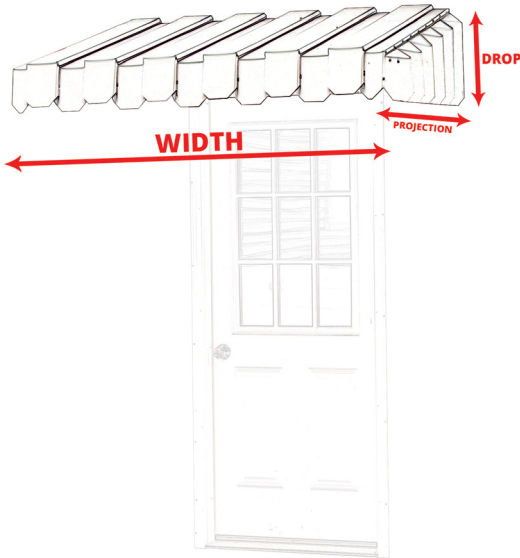
On the south side, the awning drop can be 45%-60% of the window height to produce the same amount of shade.

Projection - Recommend 1/2 the height of the window, just make sure the awning does not project into the path of foot traffic unless it is at least 6' 8" from the ground.

Care of aluminum and Galvalume® Steel awnings

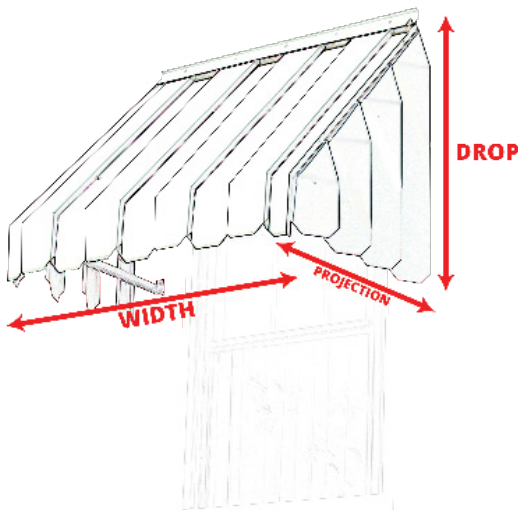
Very little care is needed on our awnings. Regular cleaning with a garden hose is all that's needed.

Tools Needed for Installation					
					
Safety Glasses	Electric Drill	Socket / Hex Head Driver Sizes: 1/4", 11/32", 3/8"	Drill Bit Sizes: 1/8", 5/16"		
					
Tape Measure		Screw Driver Flat & Phillips	Carpenters Level	Ladder	
Other Required Tools: Gloves, Chalk Line, Silicone Caulking					
Recommended Tools: Rubber Mallet, Carpenters Square, Pliers, Tin Snips					



Guidelines for Measuring Door Canopy Sizes

- 1) What surface are you mounting to?
 - It is vital for the structure to mount to a solid support, such as, wall sheathing, stud or header. Do NOT mount only to siding, or door trim.
- 2) How wide is the door you wish to cover?
 - We recommend a 36" projection for a 32" wide door, and a 43-50" projection for 36" wide doors.
- 3) How much space is there above the door?
 - We recommend the bottom of the awning be at least 5", or more from the top of the door for adequate clearance.
- 4) Do you have a porch light you wish to keep under the awning?
 - If yes, it is important to take into account clearance of the awning near the light fixture, as well as, mounting locations for structure.
- 5) Do you wish to cover the entire porch?
 - If yes, you may add to the width of the awning, but note that awnings may require additional supports or posts for certain span distances.



Guidelines for Measuring Window Canopy Sizes

- 1) What surface are you mounting to?
 - It is vital for the structure to mount to a solid support, such as, wall sheathing, stud or header. Do NOT mount only to siding, or window trim.
- 2) How wide is the window you wish to cover?
 - There is no hard or fast rules for selecting the exact awning size for your window. However, these below guidelines should help.
 - a) The drop should be approximately 1/2 the height of your window.
 - b) The projection should be roughly the same as the drop for MOST windows.
 - c) Determining the width of your awning, measure the distance between both outside window trim pieces, and then add 2". This is the MINIMUM suggested width requirement.

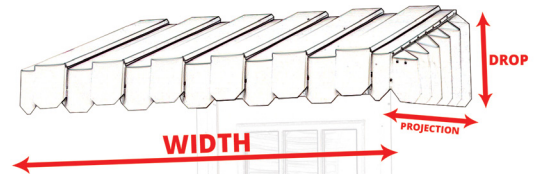


Features:

- Vented sides prevent buildup of heat underneath awning.
- Clip on 5 inch wide panels to eliminate noise from rattling parts.
- All aluminum awning for years of maintenance free beauty.

How to order a regular end Aluma Vent:

- 1) Projection from home
Windows: 22 in., 29 in., 36 in.
Doors: 43 in., 50 in.
- 2) Drop or height of unit, how far down the window an awning should come:
Adjust for angle of the sun and window location: if on the east or west side of the house, the awning drop should cover 65%-75% of the window height. On the south side, the awning drop can be 45%-60% of the window height to produce the same amount of shade.
- 3) Width along home is equal to mounting rail width
NOTE: Regular end sides flare out an additional 3.5" to each side
- 4) Color Options
 - Solid
 - Accent Stripes
 - Alternating Color Stripes



Aluma Vent Color Choices:

WHITE	BLUE	CLAY	GRAY	DARK GREEN
WICKER	IVORY	TERRA COTTA	BROWN	BLACK

Note: Awnings are white underneath to reflect light into room

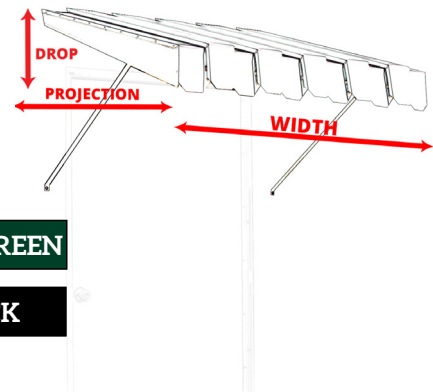


Features:

- Height/Drop can be adjusted with arm placement.
- Vented roof prevent buildup of heat underneath awning.
- Clip on 5 inch wide panels eliminate noise from rattling parts.
- All aluminum awning for years of maintenance free beauty.

How to order a valance end Aluma Vent:

- 1) Projection from home
Windows: 22 in., 29 in., 36 in.
Doors: 43 in., 50 in.
- 2) Drop or height of unit, how far down the window an awning should come:
Adjust for angle of the sun and window location: if on the east or west side of the house, the awning drop should cover 65%-75% of the window height. On the south side, the awning drop can be 45%-60% of the window height to produce the same amount of shade.
- 3) Width along home is equal to mounting rail width
- 4) Color Options
 - Solid
 - Accent Stripes
 - Alternating Color Stripes



Aluma Vent Color Choices:

WHITE	BLUE	CLAY	GRAY	DARK GREEN
WICKER	IVORY	TERRA COTTA	BROWN	BLACK

Note: Awnings are white underneath to reflect light into room



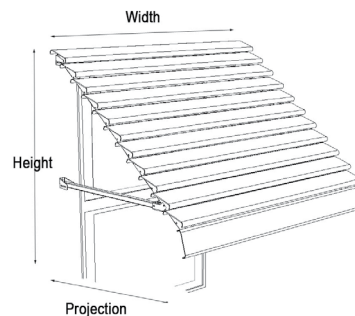
Features:

- Vented panels allow you to see out.
- Clip on panels to eliminate noise from rattling parts.
- Height can be adjusted with arm placement.
- Awning should be set at a 45 degree angle for proper view through.

Aluma Vue Sizes:

Projections Available
21 in., 25', 28-3/4 in., 32-3/4 in., 34-1/2 in., 36-1/2 in., 38-1/2 in., 40-1/2 in., 42-1/2 in.

Widths Available
30 in., 36 in., 42 in., 48 in., 54 in., 60 in., 66 in., 72 in., 78 in., 84 in., 90 in., 96 in., 102 in.



Aluma Vue Color Choices:

WHITE	BLUE	CLAY	GRAY	DARK GREEN
WICKER	IVORY	TERRA COTTA	BROWN	BLACK

Note: Awnings are white underneath to reflect light into room



Features:

- Panels overlap to create privacy.
- Sheds water and can be used as a door awning .
- Clip on panels eliminate noise from rattling parts.
- Height can be adjusted with arm placement.

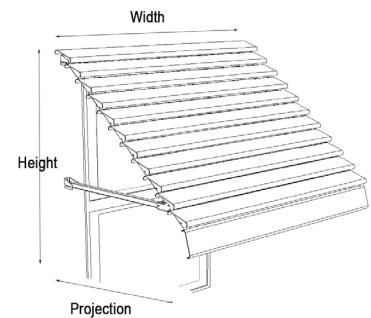
Aluma Line Sizes:

Projections Available

21 in., 25', 28-3/4 in., 32-3/4 in., 34-1/2 in., 36-1/2 in., 38-1/2 in., 40-1/2 in., 42-1/2 in.

Widths Available

30 in., 36 in., 42 in., 48 in., 54 in., 60 in., 66 in., 72 in., 78 in., 84 in., 90 in., 96 in., 102 in.



Aluma Vue Color Choices:

WHITE	BLUE	CLAY	GRAY	DARK GREEN
WICKER	IVORY	TERRA COTTA	BROWN	BLACK

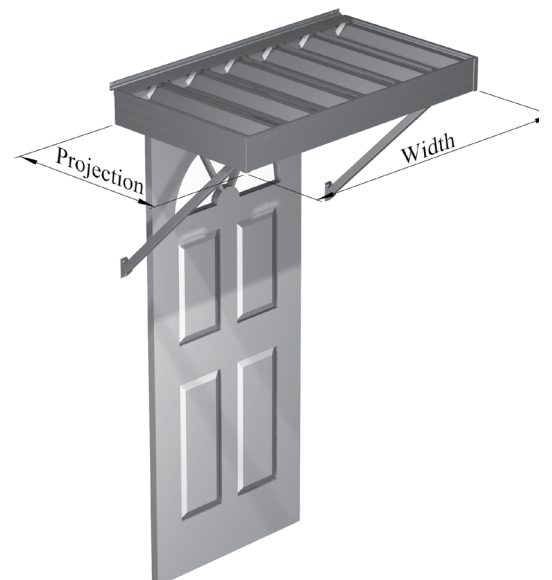
Note: Awnings are white underneath to reflect light into room



Features:

- Aluminum construction.
- White or Ivory color choices.
- 40" Projection x 50" Width
- 10" V Roof Panel
- 1-1/2" Braces

Minimum 5.5" clearance above door required to mount.



Ozark Door Canopy Color Choices:

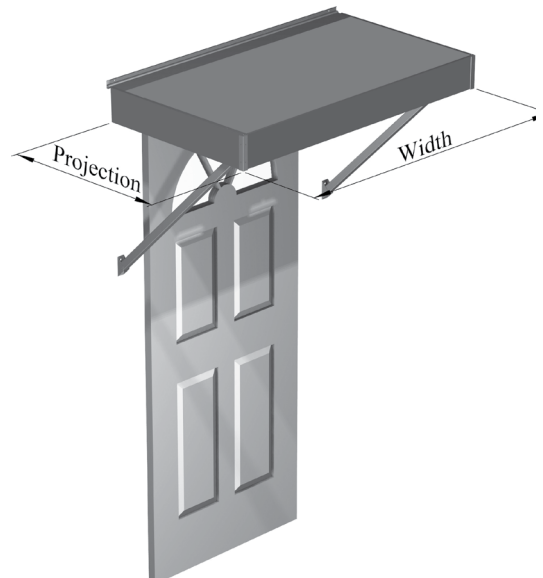
- | | |
|-------|-------|
| WHITE | IVORY |
|-------|-------|



Features:

- Aluminum construction.
- White color finish.
- 3" thick insulated panel reduces noise from falling debris and rain.
- 48" Projection x 48" Width
- 1-1/2" Braces

Minimum 5.5" clearance above door required to mount.



Yukon Door Canopy Color Choices:

WHITE



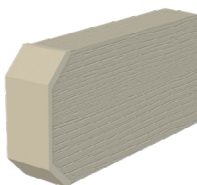
Features:

- Woodgrain embossed Roll-Formed aluminum material.
- Provides the look of wood without the hassle.
- Will not rot, warp or need repainting.
- Components are cut to length, with routed ends and caps factory installed.

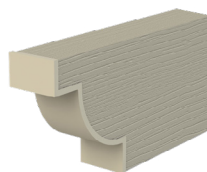
Window Arbor Sizes:

42" projection x 78" width.
Adjustable arm placement: Max - 62", Min - 24"

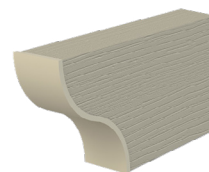
42" projection x 90" width
Adjustable arm placement: Max - 74", Min - 24"



Standard End



Deluxe End



Scalloped End

Window Arbor Color Choices:

WHITE

ADOBE

BLACK

BRONZE



Features:

- 18" wide Standing Seam Panel, Galvalume Steel.
- 18" drop provides plenty of coverage over windows and or doors.
- Aluminum 1" square frame has powder coated matte black finish.
- Two scrolls per standing awning. Additional scrolls can be ordered.

Orleans Awning Sizes:

Projection x Width

- 36" x 36"
- 36" x 54"
- 36" x 72"
- 36" x 90"
- 36" x 108"
- 36" x 126"
- 36" x 144"
- 36" x 162"
- 36" x 180"
- 36" x 198"
- 36" x 216"

Orleans Awnings Color Choices:

			
275 SLATE GRAY*	515 REGAL BLUE	540 TAN	555 DARK GREEN
			
830 MATTE BLACK	860 COPPER PENNY	880 DARK BRONZE	

Colors containing asterisks have a wash coat bottom side

Warranty

What the Warranty Covers:

Americana Outdoors Inc warrants its products that have been installed in accordance with the installation guidelines, under normal usage conditions, and with proper maintenance as follows: Ten (10) year warranty against peeling, cracking, blistering, or crazing of the surface finish of aluminum components. One (1) year warranty against defects in materials and workmanship. Sunbrella® tight weave fabric, & Sheerweave fabric - 10 year limited warranty. Textilene® open weave fabric, & Soltis 86 - 5 year limited warranty.

Period of Coverage:

The warranty period begins on the date of original shipment.

What Americana Will Do To Correct Problems:

If defects or damage of the kind mentioned above should occur within the warranty period, Americana will replace the defective parts only; FOB its plant at Salem, Illinois, upon receiving the written and documented claim of purchaser.

What the Warranty Excludes:

Because of normal aging and weathering of materials, it may not be possible to perfectly match the colors of original parts and replacement parts. Americana will not provide or pay for the installation of such replacement parts. Americana shall not be responsible for weather related failures, damages due to faulty installation, misuse or abuse of the product, or for consequential damages, including personal injuries or property damages. There are no warranties, express or implied, which extend beyond the description on the face hereof.

How Do You Get Service:

If you believe that you have a claim under this warranty, submit a copy of your original receipt or other reasonable evidence of the date of purchase, the identity of the product, and photos and a description of the allegedly defective product to the address below. Please also include your name, address, and phone number so that a customer service representative can respond to your submission. Ultimate determination of the existence and extent of any claimed defect under this warranty shall be made by Americana in its sole discretion.

Submit Claims To:

Americana Outdoors, Inc Warranty Claim, P.O. Box 1290, Salem, IL, 62881



PO Box 1290,
2 Industrial Drive, Salem IL 62881
1-800-851-0865
Sales@Americana.com



2022 RESIDENTIAL AWNINGS CATALOG