



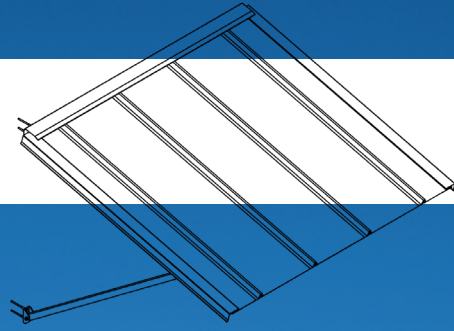
AMERICANA  
OUTDOORS

Elements for Life *Outside.*<sup>™</sup>  
SHADE • SHELTER • SPORT • SITE



WWW.AMERICANA.COM

# Window Awnings





## Lafayette Window Awning Series

The Lafayette Standing Seam Awning boasts a contemporary design ideal for residential and commercial settings alike. Its adaptable pitch, facilitated by a unique hinged attachment system, can be adjusted effortlessly during or after installation. Should the need arise, it can be easily removed and reinstalled without any maintenance requirements.

**Sizes:** 36 or 48" projection and 3'-24' wide.

**Structure:** Pre-fabricated, Anodized Aluminum components.

**Gutters / Fascia:** Roll-Formed Galvalume

**Standard Roof System:**

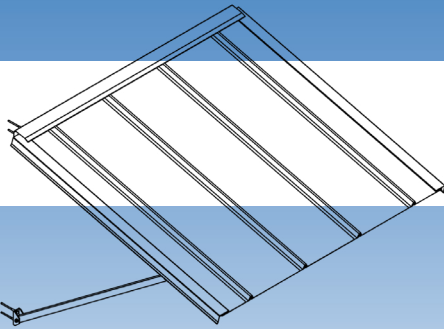
12" Galvalume Roll-Formed Standing Seam Panel

**Supports:** Extruded, Anodized Aluminum Braces.

**Add-On Accessories:** Front Gutter



# Door Awnings





## Lafayette Door Awning Series

The Lafayette Standing Seam Awning boasts a contemporary design ideal for residential and commercial settings alike. Its adaptable pitch, facilitated by a unique hinged attachment system, can be adjusted effortlessly during or after installation. Should the need arise, it can be easily removed and reinstalled without any maintenance requirements.

**Sizes:** 36 or 48" projection and 3'-24' wide.

**Structure:** Pre-fabricated, Anodized Aluminum components.

**Gutters / Fascia:** Roll-Formed Galvalume

**Standard Roof System:**

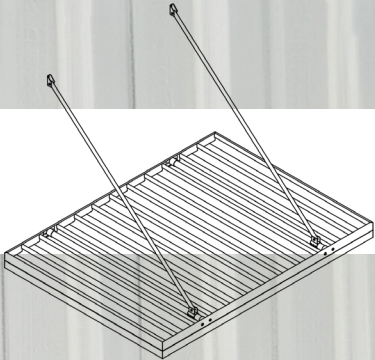
12" Galvalume Roll-Formed Standing Seam Panel

**Supports:** Extruded, Anodized Aluminum Braces.

**Add-On Accessories:** Front Gutter



# Overhead Brace Awnings





## Lafayette Awning with Overhead Braces Series

The Lafayette Standing Seam Awning boasts a contemporary design ideal for residential and commercial settings alike. Its adaptable pitch, facilitated by a unique hinged attachment system, can be adjusted effortlessly during or after installation. Should the need arise, it can be easily removed and reinstalled without any maintenance requirements.

**Sizes:** 36 or 48" projection and 3'-24' wide.

**Structure:** Pre-fabricated, Anodized Aluminum components.

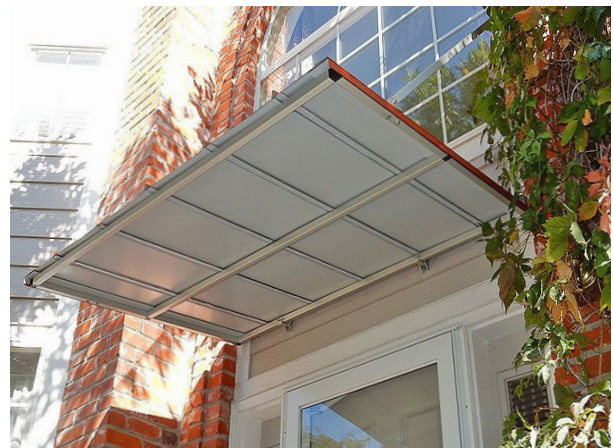
**Gutters / Fascia:** Roll-Formed Galvalume

**Standard Roof System:**

12" Galvalume Roll-Formed Standing Seam Panel

**Supports:** Extruded, Anodized Aluminum Braces.

**Add-On Accessories:** Front Gutter

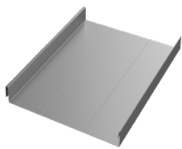




## Roof Panel & Frame Colors

We take great pride in producing a majority of our roof panel options in-house, which gives us complete control over the quality and production schedule. By doing so, we are able to provide our customers with top-notch products while also passing on cost savings

### 12" Galvalume® 24 Gauge Standing Seam Panel



Coverage Width - 12"  
 Minimum Slope - 1/2:12  
 Gauge - 24  
 Finish - Smooth  
 Coatings - Siliconized Polyester  
 Rib Spacing - N/A  
 Rib Height - 1-3/4"



Each color has a wash coat on the underside, paired with an inked date stamp for manufacturer warranty verification.

### 1 x 1" Anodized Aluminum Tube



Coverage Width - 1.5"  
 Minimum Slope - 1/2:12  
 Finish - Clear Anodized  
 Coatings - Clear Anodized  
 Rib Spacing - N/A  
 Rib Height - N/A



## Sales & Installation Support

Design and engineering support and documentation to satisfy local requirements: Heavy Snow, Seismic, High Winds, Hail, Custom Designs & Sizes.

Average standard lead times are 6-8 weeks from receipt of approved order. Lead times may vary on design criteria.

Installation and sales support available M-F (8am-5pm) central standard time.

Since Americana is a custom manufacturer, non-standard items are routinely fabricated with no delays. Minimal extra charges may be incurred for engineering.

## Warranty Terms

### Lifetime Limited Warranty

Lifetime Limited Warranty on aluminum against material failure and corrosion.

### 25 Year Limited Warranty

25 Year Limited Warranty on steel against material failure and defects.

### 10 Year Limited Warranty

10 Year Limited Warranty on Sunbrella, Sheerweave, & Solamesh Fabrics

10 Year Limited Warranty on all powder coat finishes (200, 500 and 800 series). With the use of Americana's 500 Series Anti-graffiti powder coat finish is guaranteed to allow removal of graffiti with virtually no change to the finish.

### 5 Year Limited Warranty

5 Year Limited Warranty on Soltis 86 fabrics.

### 1 Year Warranty

1 Year warranty against defects in materials and workmanship.

### Period of Coverage:

The warranty period begins on the date of the original shipment.

### What Americana Will Do To Correct Problems:

If defects or damage of the kind mentioned above should occur within the warranty period, Americana will replace the defective parts only; FOB its plant at Salem, Illinois, upon receiving the written and documented claim of the purchaser.

### Warranty Exclusions:

Because of the normal aging and weathering of materials, it may not be possible to perfectly match the colors of original parts and replacement parts. Americana will not provide or pay for the installation of such replacement parts. Americana shall not be responsible for weather-related failures, damages due to faulty installation, misuse or abuse of the product, or for consequential damages, including personal injuries or property damages. There are no warranties, express, or implied, which extend beyond the description on the face hereof.

### How To File A Warranty Claim:

If you believe that you have a claim under this warranty, submit a copy of your original receipt or other reasonable evidence of the date of purchase, the identity of the product, and photos and a description of the allegedly defective product to the address below. Please also include your name, address, and phone number so that a customer service representative can respond to your submission. The ultimate determination of the existence and extent of any claimed defect under this warranty shall be made by Americana in its sole discretion.

Submit Claims To:

Americana Outdoors, Inc, Warranty Claim  
P.O. Box 1290  
Salem, IL 62881



PO Box 1290, Salem IL 62881

1-800-851-0865, Fax: 1-618-548-2890

Sales@Americana.com

www.Americana.com



2024 LAFAYETTE CATALOG